

HD IR Fixed Network Camera User's Manual

Version 1.1.0

Welcome

Thank you for purchasing our network camera!

This user's manual is designed to be a reference tool for your system.

Please read the following safeguard and warnings carefully before you use this series product!

Please keep this user's manual well for future reference!

Important Safeguards and Warnings

1 . Electrical safety

All installation and operation here should conform to your local electrical safety codes.

The power shall conform to the requirement in the SELV (Safety Extra Low Voltage) and the Limited power source is rated 12V DC or 24V AC in the IEC60950-1. (Refer to general introduction)

Please note: Do not connect two power supplying sources to the device at the same time; it may result in device damage! The product must be grounded to reduce the risk of electronic shock.

We assume no liability or responsibility for all the fires or electrical shock caused by improper handling or installation.

We are not liable for any problems caused by unauthorized modification or attempted repair.

2 . Transportation security

Heavy stress, violent vibration or water splash are not allowed during transportation, storage and installation.

3 . Installation

Do not apply power to the camera before completing installation.

Please install the proper power cut-off device during the installation connection.

Always follow the instruction guide the manufacturer recommended.

4 . Qualified engineers needed

All the examination and repair work should be done by the qualified service engineers.

We are not liable for any problems caused by unauthorized modifications or attempted repair.

5 . Environment

This series network camera should be installed in a cool, dry place away from direct sunlight, inflammable, explosive substances and etc.

Please keep it away from the electromagnetic radiation object and environment.

Please make sure the CCD (CMOS) component is out of the radiation of the laser beam device.

Otherwise it may result in CCD (CMOS) optical component damage.

Please keep the sound ventilation.

Do not allow the water and other liquid falling into the camera.

Thunder-proof device is recommended to be adopted to better prevent thunder.

The grounding studs of the product are recommended to be grounded to further enhance the reliability of the camera.

6. Daily Maintenance

Please shut down the device and then unplug the power cable before you begin daily maintenance work.

Do not touch the CCD (CMOS) optic component. You can use the blower to clean the dust on the lens surface.

Always use the dry soft cloth to clean the device. If there is too much dust, please use the water to dilute the mild detergent first and then use it to clean the device. Finally use the dry cloth to clean the device.

Please put the dustproof cap to protect the CCD (CMOS) component when you do not use the camera. Dome enclosure is the optical component, do not touch the enclosure when you are installing the device or clean the enclosure when you are doing maintenance work. Please use professional optical clean method to clean the enclosure. Improper enclosure clean method (such as use cloth) may result in poor IR effect of camera with IR function.

7. Accessories

Be sure to use all the accessories recommended by manufacturer.

Before installation, please open the package and check all the components are included.

Contact your local retailer ASAP if something is broken in your package.

Accessory Name	Amount
Network Camera Unit	1
Quick Start Guide	1
Installation Accessories Bag	1
CD	1

Table of Contents

1	General Introduction	1
1.1	Overview	1
1.2	Features	1
1.3	Specifications	2
1.3.1	Performance	2
2	Framework	10
2.1	Cable	10
2.2	Framework and Dimension	11
3	Device Installation	13
4	Quick Configuration Tool	15
4.1	Overview	15
4.2	Operation	15
5	Web Operation	17
5.1	Network Connection	17
5.2	Login and Main Interface	17
6	FAQ	19
	Appendix Toxic or Hazardous Materials or Elements	20

1 General Introduction

1.1 Overview

This series network camera integrates the traditional camera and network video technology. It adopts video data collection, transmission together. It can connect to the network directly without any auxiliary device.

This series network camera uses standard H.264 video compression technology, which maximally guarantees the video quality.

It supports the IR night vision function. In the night environments, the device can use the IR light to highlight the object which is suitable for the surveillance function in the low illumination environments. The built-in waterproof design conforms to the IP 66 level. It has the sound waterproof function suitable for use in the outdoor environments.

It can be used alone or used in a network area. When it is used lonely, you can connect it to the network and then use a network client-end. Due to its multiple functions and various uses, this series network camera is widely used in many environments such as home, office, bank, road monitor and etc.

1.2 Features

User Management	<ul style="list-style-type: none">● Different user rights for each group, one user belongs to one group.● The user right shall not exceed the group right.
Storage Function	<ul style="list-style-type: none">● Support central server backup function in accordance with your configuration and setup in alarm or schedule setting● Support record via Web and the recorded file are storage in the client-end PC.● Support network storage function such as FTP.
Data Transmission	<ul style="list-style-type: none">● Support data transmission via Ethernet.
Network Monitor	<ul style="list-style-type: none">● Network camera supports one-channel video data transmit to network terminal and then decode. Delay is within 270ms (network bandwidth support needed)● Max supports 20 connections.● Adopt the following video transmission protocol: HTTP, TCP, UDP, MULTICAST, RTP/RTCP, RTSP and etc.● Support web access.
Network Management	<ul style="list-style-type: none">● Realize network camera configuration and management via Ethernet.● Support device management via web or client-end.● Support abundant network protocols.
Power	<ul style="list-style-type: none">● External power adapter DC12V.● Support PoE. <p>Warning!</p> <ul style="list-style-type: none">● Do not connect these two power supplying sources to the device at the same time; it may result in device damage!
Assistant Function	<ul style="list-style-type: none">● Log function● Support system resource information and running status real-time display.● Day/Night mode auto switch.(with ICR switch)● Support picture parameter setup such as electronic shutter and gain setup.● Backlight compensation: screen auto split to realize backlight compensation to adjust the bright.

	<ul style="list-style-type: none"> ● Support digital WDR. ● Support video watermark function to avoid vicious video modification. ● Support dual bit streams, ACF.
--	---

1.3 Specifications

1.3.1 Performance

Please refer to the following sheet for network camera performance specification.

Parameter		Model	IPC-HFW8101E	IPC-HFW8101E-Z
System	Main Processor		TI high performance DSP	
	OS		Embedded LINUX	
	System Resources		Support real-time network, local record, and remote operation at the same time.	
	User Interface		Remote operation interface such as WEB, DSS, PSS	
	System Status		Bit stream statistics, log, and software version.	
Video Parameter	Image Sensor		1/3-inch CMOS	
	Pixel		1280(H)×1024(V)	
	Illumination		0.01Lux/F1.2 (color mode) , 0Lux (IR light on)	
	SNR		More than 52dB	
	Day/Night Mode		Support IR-CUT electromagnetic switch	
	Auto Aperture		DC drive	
	Gain Control		Manual/Auto	
	White Balance		Manual/Auto	
	Motorized zoom focus		N/A	
	NR		Support 3D NR	
	WRD		120dB WDR	
	BLC		Off/On	
	Electronic Shutter		Manual/Auto It ranges from 1/3 to 1/30000.	
	Video Compression Standard		H.264/H.264H/H.264B/MJPEG	
	Video Frame Rate		PAL: Main stream Max(1280*1024@25fps), Extra stream Max(704*576@25fps), Third stream Max(1280*1024@25fps)	

		NTSC: Main stream Max(1280*1024@30fps), Extra stream Max(704*480@30fps), Third stream Max(1280*1024@30fps)
	Video Bit Rate	16kbps~14Mbps adjustable Support customized setup.
	Video Flip	Support rotate mode
	Snapshot	Max 1f/s snapshot. File extension name is JPEG
	Privacy Mask	support max 4 privacy mask zones
	Video Setup	Support parameter setup such as bright, contrast, acutance.
	Video Information	Channel title, time title, motion detect, tampering detect.
	Intelligent Detection	Tripwire, cross warning zone, abandoned /missing object detection, scene change detection, defocus detection.
	Face Recognition	Detect face in video and link according to the result.
	Audio Detection	Detect if there is audio input, filter noise, scream emergency and etc.
	Anti-IR Overexposure	Auto detect image brightness, anti-overexposure via internal algorithm, and guarantee background brightness at the same time.
	Lens	2.7mm~12mm/F1.4 support external 3mm ~ 9mm@F1.2 motorized vari-focal lens
	Lens Interface	φ14 interface, default lens
	Video Interface	1-ch composite analog video output
Audio	Audio Input	1-channel, 3.5mm JACK LINE IN
	Audio Output	1-channel, 3.5mm JACK LINE OUT
	Audio Bit Rate	64kbps 16bit
	Audio Compression Standard	G.711a/G.711Mu
Video	Motion Detect	396 (18*22) detection zones; sensitivity level ranges from 0 to 100; area threshold ranges from 0 to 100. Activation event, video storage, snapshot, log, email function and etc.
Alarm Interface		1-ch input, 1-ch output (on/off)
Record and Backup	Record Priority	Manual >Video detect>Schedule
	Local Storage	Support Micro SD card storage, Max 64GB
Network	Wire Network	1-channel 100M/1000M Ethernet, RJ45 port.
	Network Protocol	Standard HTTP, TCP/IP, ARP, IGMP, ICMP, RTSP, RTP, UDP, RTCP, SMTP, FTP, DHCP, DNS, DDNS, PPPOE, UPNP, NTP, Bonjour, SNMP
	Remote Operation	Monitor, system setup, file download, log information, maintenance , upgrade and etc
	Protocol	ONVIF(default) , GB28181
	Reset	Reset button on front panel
	IR Light	IR distance 30 meters
Parameter	Power	Support AC24V/POE or DC12V/POE power supply
	Power	Max 14W (IR enabled)

	Consumption	
	Working Temperature	-30℃~+60℃
	Working Humidity	≤95%
	Dimensions	94.9*94.9*272.9
	Weight	1200g (excluding box)
	Installation	Support various installation modes

		Model	IPC-HFW8201E	IPC-HFW8201E-Z
		Parameter		
System	Main Processor	TI high performance DSP		
	OS	Embedded LINUX		
	System Resources	Support real-time network, local record, and remote operation at the same time.		
	User Interface	Remote operation interface such as WEB, DSS, PSS		
	System Status	Bit stream statistics, log, and software version.		
Video Parameter	Image Sensor	1/3-inch CMOS		
	Pixel	1920(H)×1080(V)		
	Illumination	0.01Lux/F1.2 (color mode) , 0Lux (IR light on)		
	SNR	More than 52dB		
	Day/Night Mode	Support IR-CUT electromagnetic switch		
	Auto Aperture	DC drive		
	Gain Control	Manual/Auto		
	White Balance	Manual/Auto		
	Motorized zoom focus	N/A		
	NR	Support 3D NR		
	WRD	120dB WDR		
	BLC	Off/On		
	Electronic Shutter	Manual/Auto It ranges from 1/3 to 1/30000.		
	Video Compression Standard	H.264/H.264H/H.264B/MJPEG		
	Video Frame Rate	PAL: Main stream Max(1920*1080@25fps), Extra stream Max(704*576@25fps), Third stream Max(1920*1080@25fps) NTSC: Main stream Max(1920*1080@30fps), Extra stream Max(704*480@30fps), Third stream Max(1920*1080@30fps)		

	Video Bit Rate	16kbps~20Mbps, adjustable Support customized setup.		
	Video Flip	Support rotate mode		
	Snapshot	Max 1f/s snapshot. File extension name is JPEG		
	Privacy Mask	support max 4 privacy mask zones		
	Video Setup	Support parameter setup such as bright, contrast, acutance.		
	Video Information	Channel title, time title, motion detect, tampering detect.		
	Intelligent Detection	Tripwire, cross warning zone, abandoned /missing object detection, scene change detection, defocus detection.		
	Face Recognition	Detect face in video and link according to the result.		
	Audio Detection	Detect if there is audio input, filter noise, scream emergency and etc.		
	Anti-IR Overexposure	Auto detect image brightness, anti-overexposure via internal algorithm, and guarantee background brightness at the same time.		
	Lens	2.7mm~12mm/F1.4 support external focusing function	3mm ~ 9mm@F1.2motorized vari-focal lens	
	Lens Interface	φ14 interface, default lens		
	Video Interface	1-ch composite analog video output		
Audio	Audio Input	1-channel, 3.5mm JACK LINE IN		
	Audio Output	1-channel, 3.5mm JACK LINE OUT		
	Audio Bit Rate	64kbps 16bit		
	Audio Compression Standard	G.711a/G.711Mu		
Video	Motion Detect	396 (18*22) detection zones; sensitivity level ranges from 0 to 100; area threshold ranges from 0 to 100. Activation event, video storage, snapshot, log, email function and etc.		
Alarm Interface		1-ch input, 1-ch output (on/off)		
Record and Backup	Record Priority	Manual >Video detect>Schedule		
	Local Storage	Support Micro SD card storage, Max 64GB		
Network	Wire Network	1-channel 100M/1000M Ethernet, RJ45 port.		
	Network Protocol	Standard HTTP, TCP/IP, ARP, IGMP, ICMP, RTSP, RTP, UDP, RTCP, SMTP, FTP, DHCP, DNS, DDNS, PPPOE, UPNP, NTP, Bonjour, SNMP		
	Remote Operation	Monitor, system setup, file download, log information, maintenance , upgrade and etc		
	Protocol	ONVIF(default) , GB28181		
	Reset	Reset button on front panel		
	IR Light	IR distance 30 meters		
General Parameter	Power	Support AC24V/POE or DC12V/POE power supply		
	Protection Level	IP66		
	Power Consumption	Max 14W (IR enabled)		
	Working Temperature	-30℃~+60℃		

	Working Humidify	≤95%
	Dimensions	94.9*94.9*272.9
	Weight	1200g (excluding box)
	Installation	Support various installation modes

		Model	
		IPC-HFW8301E	IPC-HFW8301E-Z
Parameter			
System	Main Processor	TI high performance DSP	
	OS	Embedded LINUX	
	System Resources	Support real-time network, local record, and remote operation at the same time.	
	User Interface	Remote operation interface such as WEB, DSS, PSS	
	System Status	Bit stream statistics, log, and software version.	
Video Parameter	Image Sensor	1/3-inch CMOS	
	Pixel	2048(H)×1536(V)	
	Illumination	0.01Lux/F1.2 (color mode) , 0Lux (IR light on)	
	SNR	More than 52dB	
	Day/Night Mode	Support IR-CUT electromagnetic switch	
	Auto Aperture	DC drive	
	Gain Control	Fixed/Auto	
	White Balance	Manual/Auto	
	Motorized zoom focus	N/A	
	NR	Support 3D NR	
	WRD	120dB WDR	
	BLC	Off/On	
	Electronic Shutter	Manual/Auto It ranges from 1/3 to 1/30000.	
	Video Compression Standard	H.264/H.264H/H.264B/MJPEG	
	Video Frame Rate	PAL: Main stream Max(2048*1536@25fps), Extra stream Max(704*576@25fps), Third stream Max(1920*1080@25fps)	
		NTSC: Main stream Max(2048*1536@30fps), Extra stream Max(704*480@30fps), Third stream Max(1920*1080@30fps)	
	Video Bit Rate	16Kbps-32Mbps, adjustable Support customized setup.	
Video Flip	Support rotate mode		
Snapshot	Max 1f/s snapshot. File extension name is JPEG		
Privacy Mask	support max 4 privacy mask zones		

	Video Setup	Support parameter setup such as bright, contrast, acutance.	
	Video Information	Channel title, time title, motion detect, tampering detect.	
	Intelligent Detection	Tripwire, cross warning zone, abandoned /missing object detection, scene change detection, defocus detection.	
	Face Recognition	Detect face in video and link according to the result.	
	Audio Detection	Detect if there is audio input, filter noise, scream emergency and etc.	
	Anti-IR Overexposure	Auto detect image brightness, anti-overexposure via internal algorithm, and guarantee background brightness at the same time.	
	Lens	2.7mm~12mm/F1.4 support external focus	3mm ~ 9mm@F1.2 motorized vari-focal lens
	Lens Interface	φ14 interface, default lens	
	Video Interface	1-ch composite analog video output	
Audio	Audio Input	1-channel, 3.5mm JACK LINE IN	
	Audio Output	1-channel, 3.5mm JACK LINE OUT	
	Audio Bit Rate	64kbps 16bit	
	Audio Compression Standard	G.711a/G.711Mu	
Video	Motion Detect	396 (18*22) detection zones; sensitivity level ranges from 0 to 100; area threshold ranges from 0 to 100. Activation event, video storage, snapshot, log, email function and etc.	
Alarm Interface		1-ch input, 1-ch output (on/off)	
Record and Backup	Record Priority	Manual >Video detect>Schedule	
	Local Storage	Support Micro SD card storage, Max 64GB	
Network	Wire Network	1-channel 100M/1000M Ethernet, RJ45 port.	
	Network Protocol	Standard HTTP, TCP/IP, ARP, IGMP, ICMP, RTSP, RTP, UDP, RTCP, SMTP, FTP, DHCP, DNS, DDNS, PPPOE, UPNP, NTP, Bonjour, SNMP	
	Remote Operation	Monitor, system setup, file download, log information, maintenance , upgrade and etc	
	Protocol	ONVIF(default) , GB28181	
	Reset	Reset button on front panel	
	IR Light	IR distance 30 meters	
General Parameter	Power	Support AC24V/POE or DC12V/POE power supply	
	Protection Level	IP66	
	Power Consumption	Max 14W (IR enabled)	
	Working Temperature	-30℃~+60℃	
	Working Humidify	≤95%	
	Dimensions	94.9*94.9*272.9	
	Weight	1200g (excluding box)	
	Installation	Support various installation modes	

Model		IPC-HFW8281E
Parameter		
System	Main Processor	TI high performance DSP
	OS	Embedded LINUX
	System Resources	Support real-time network, local record, and remote operation at the same time.
	User Interface	Remote operation interface such as WEB, DSS, PSS
	System Status	Bit stream statistics, log, and software version.
Video Parameter	Image Sensor	1/1.9-inch CMOS
	Pixel	1920(H)×1080(V)
	Illumination	0.002Lux/F1.2 (color mode) , 0.0002Lux (day/night mode)
	SNR	More than 52dB
	Day/Night Mode	Support IR-CUT electromagnetic switch
	Auto Aperture	DC drive
	Gain Control	Fixed/Auto
	White Balance	Manual/Auto
	NR	Support 3D NR
	WRD	120dB WDR
	BLC	Off/On
	Electronic Shutter	Manual/Auto It ranges from 1/3 to 1/30000.
	Video Compression Standard	H.264/H.264H/H.264B/MJPEG
	Video Frame Rate	PAL: Main stream Max(1920*1080@50fps), Extra stream Max(704*576@50fps), Third stream Max(1920*1080@50fps)
		NTSC: Main stream Max(1920*1080@60fps), Extra stream Max(704*480@60fps), Third stream Max(1920*1080@60fps)
	Video Bit Rate	16kbps~40Mbps, adjustable Support customized setup.
	Video Flip	Support rotate mode
	Snapshot	Max 1f/s snapshot. File extension name is JPEG
	Privacy Mask	support max 4 privacy mask zones
	Video Setup	Support parameter setup such as bright, contrast, acutance.
Video Information	Channel title, time title, motion detect, tampering detect.	
Intelligent Detection	Tripwire, cross warning zone, abandoned /missing object detection, scene change detection, defocus detection.	
Face Recognition	Detect face in video and link according to the result.	
Audio	Detect if there is audio input, filter noise, scream emergency and etc.	

	Detection	
	Anti-IR Overexposure	Auto detect image brightness, anti-overexposure via internal algorithm, and guarantee background brightness at the same time.
	Lens	4mm~12mm/F1.8
	Lens Interface	φ14 interface, default lens
	Video Interface	1-ch composite analog video output
Audio	Audio Input	1-channel, 3.5mm JACK LINE IN
	Audio Output	1-channel, 3.5mm JACK LINE OUT
	Audio Bit Rate	64kbps 16bit
	Audio Compression Standard	G.711a/G.711Mu
Video	Motion Detect	396 (18*22) detection zones; sensitivity level ranges from 0 to 100; area threshold ranges from 0 to 100. Activation event, video storage, snapshot, log, email function and etc.
Alarm Interface		1-ch input, 1-ch output (on/off)
Record and Backup	Record Priority	Manual >Video detect>Schedule
	Local Storage	Support Micro SD card storage, Max 64GB
Network	Wire Network	1-channel 100M/1000M Ethernet, RJ45 port.
	Network Protocol	Standard HTTP, TCP/IP, ARP, IGMP, ICMP, RTSP, RTP, UDP, RTCP, SMTP, FTP, DHCP, DNS, DDNS, PPPOE, UPNP, NTP, Bonjour, SNMP
	Remote Operation	Monitor, system setup, file download, log information, maintenance , upgrade and etc
	Protocol	ONVIF(default) , GB28181
	Reset	Reset button on front panel
	IR Light	IR distance 30 meters
General Parameter	Power	Support AC24V/POE or DC12V/POE power supply
	Protection Level	IP66
	Power Consumption	Max 14W (IR enabled)
	Working Temperature	-30℃~+60℃
	Working Humidify	≤95%
	Dimensions	94.9*94.9*272.9
	Weight	1200g (excluding box)
	Installation	Support various installation modes

2 Framework

2.1 Cable

You can refer to the following figure for cable information. See Figure 2-1.

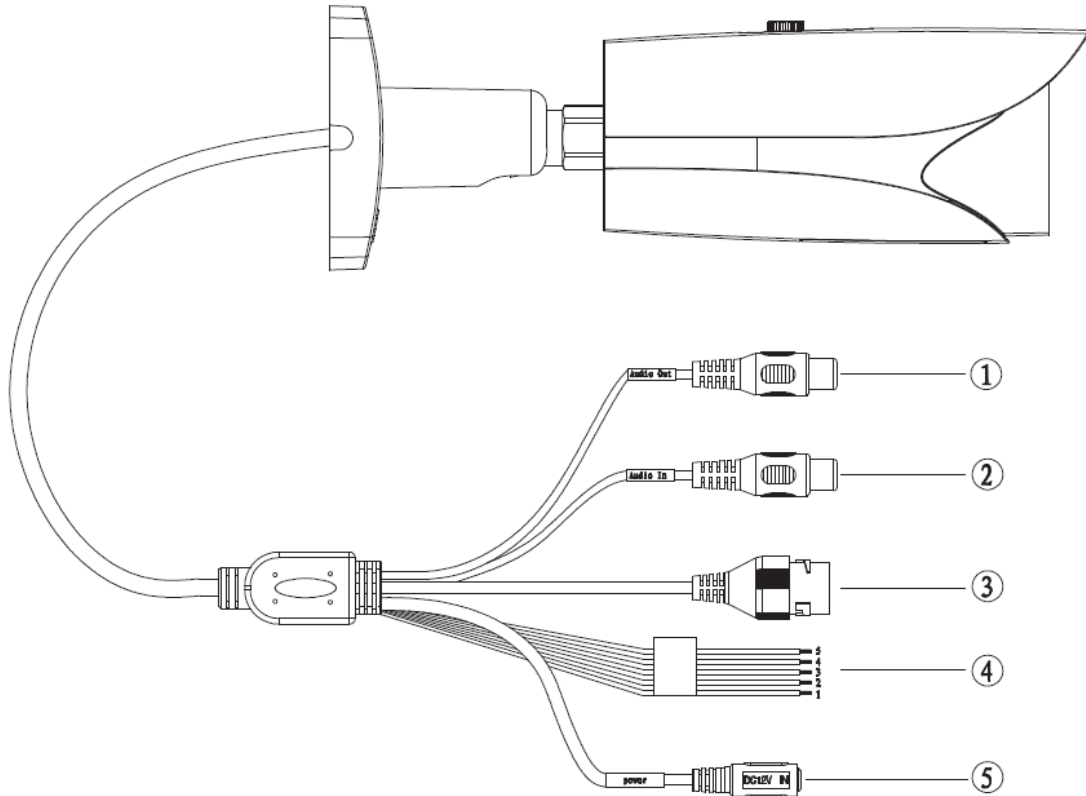


Figure 2-1 Cable

Please refer to the following sheet for detailed information.

No.	Port Name	Function	Connection	Note
1	AUDIO OUT	Audio output port	RCA	Output audio signal to speaker and etc.
2	AUDIO IN	Audio input port	RCA	Input audio signal, receive analog audio signal from pick up and etc.
3	LAN	Network port	Ethernet port	Connect to standard Ethernet cable.
4	I/O	I/O port	-	Connect to I/O port.
5	Power	Power input port	/	Power port. Input DC 12V or AC 24V power. Standard DC 5.5 round port converts to 2-pin converter cable. Please connect the DC5.5 round port to 2-pin converter cable when you are using AC 24V power. Please use according to device tag.

Please refer to the follow sheet for detailed pin information.

Port Name	SN	Name	Note
I/O Port	1	ALARM_NO	Alarm output port. It is to output the alarm signal to the alarm device. NO: normal open alarm output port. It must be used with ALARM_COM.
	2	ALARM_COM	Alarm output public port.
	3	ALARM_IN1	Alarm input port 1. It is to receive the on-off signal from the external alarm source.
	4	ALARM_IN2	Alarm input port 2. It is to receive the on-off signal from the external alarm source.
	5	GND	Ground port

2.2 Framework and Dimension

Please refer to the following figure for dimension information. The unit is mm. See Figure 2-2 and Figure 2-3.

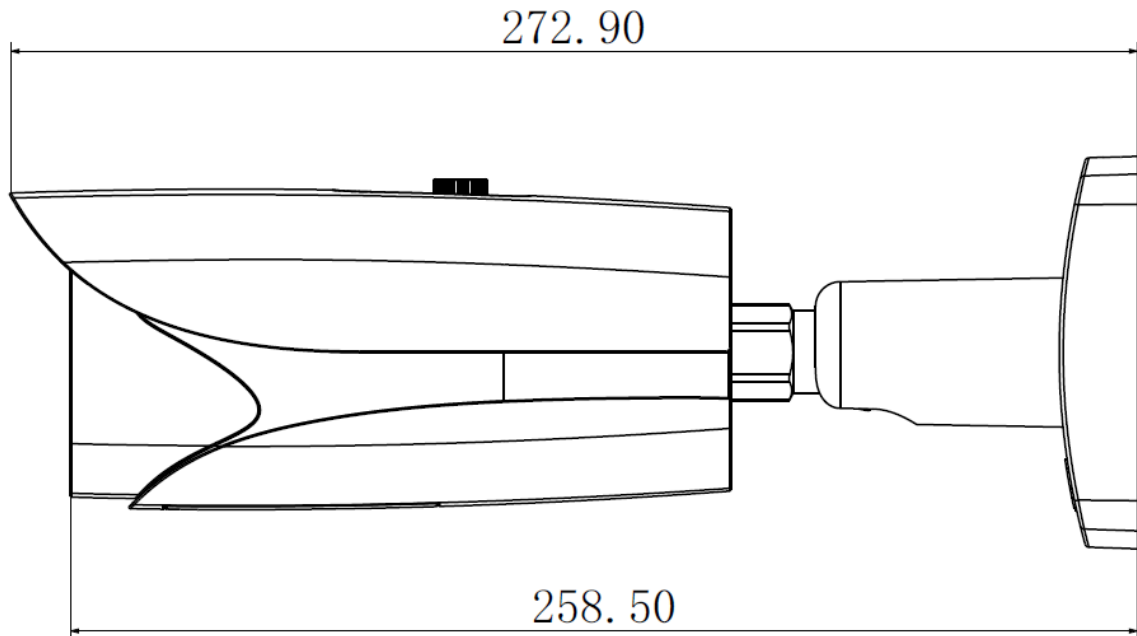


Figure 2-2 Dimension illustration 1

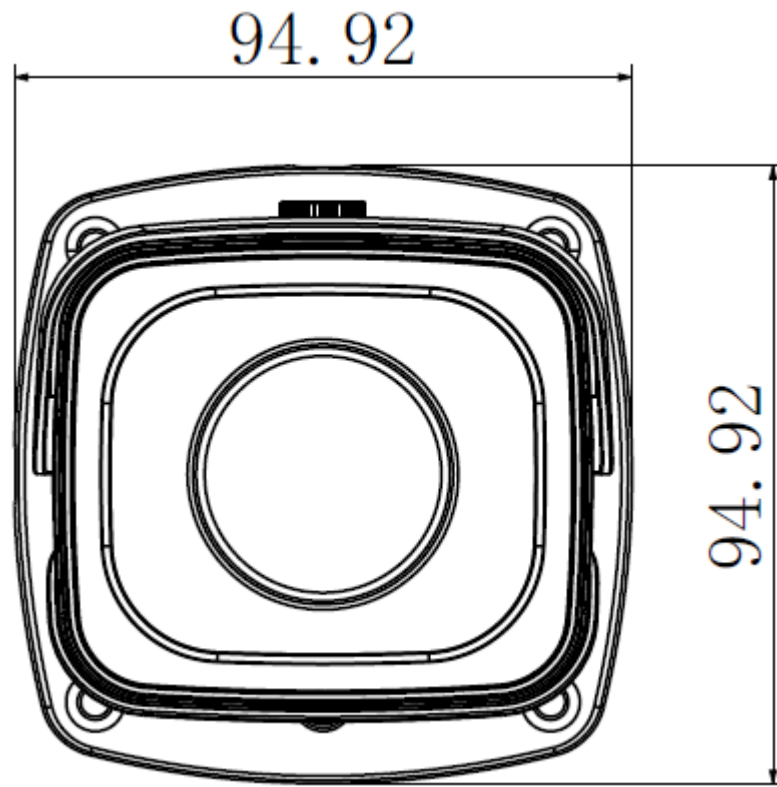


Figure 2-3 Dimension illustration 2

3 Device Installation

Important

Please make sure the installation surface can support the 3X weight of the camera and the bracket.

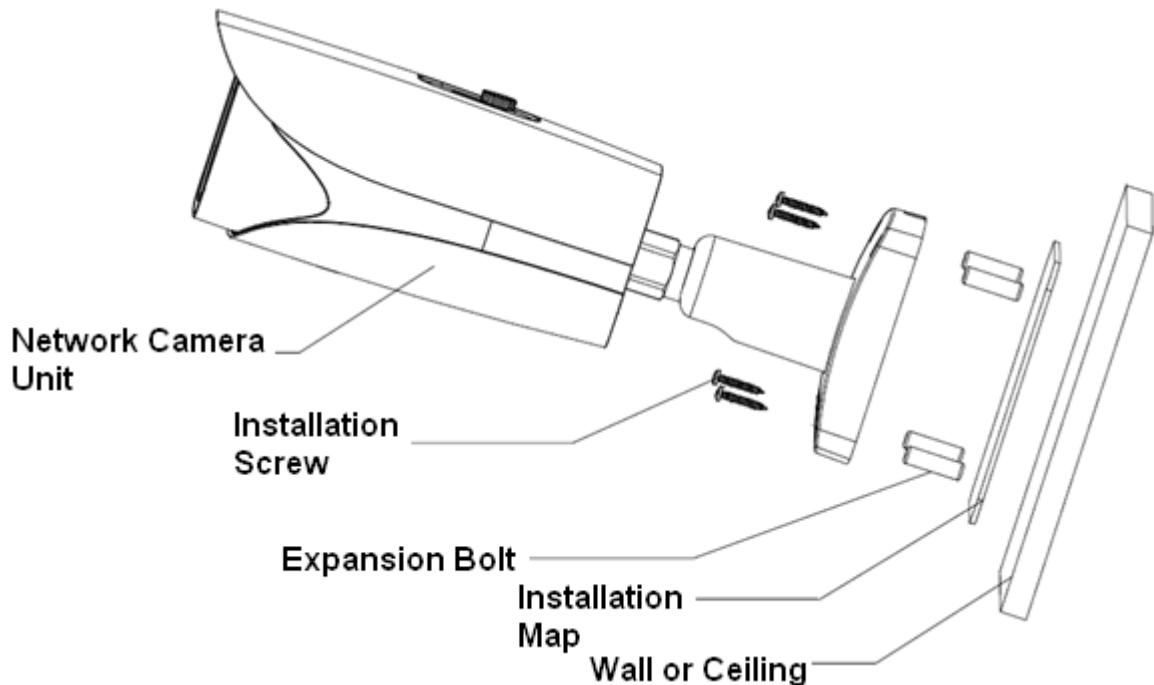


Figure 3-1 Device installation 1

Please see Figure 3-1 and Figure 3-2.

Step 1

Stick installation map to designated surface where you will install the device (wall or ceiling).

Step 2

Dig a hole according to position of hole on installation map.

Step 3

Open accessories bag, take out expansion bolt and insert it into the hole you just dug.

Step 4

Open accessories bag, take out screw. Tighten the 4 screws to fix the device on the installation surface (wall or ceiling). You can move device sunshade back and forth. When you have fixed the device, you must tighten screws on sunshade.

Step 5

Plug external wiring of the device properly.

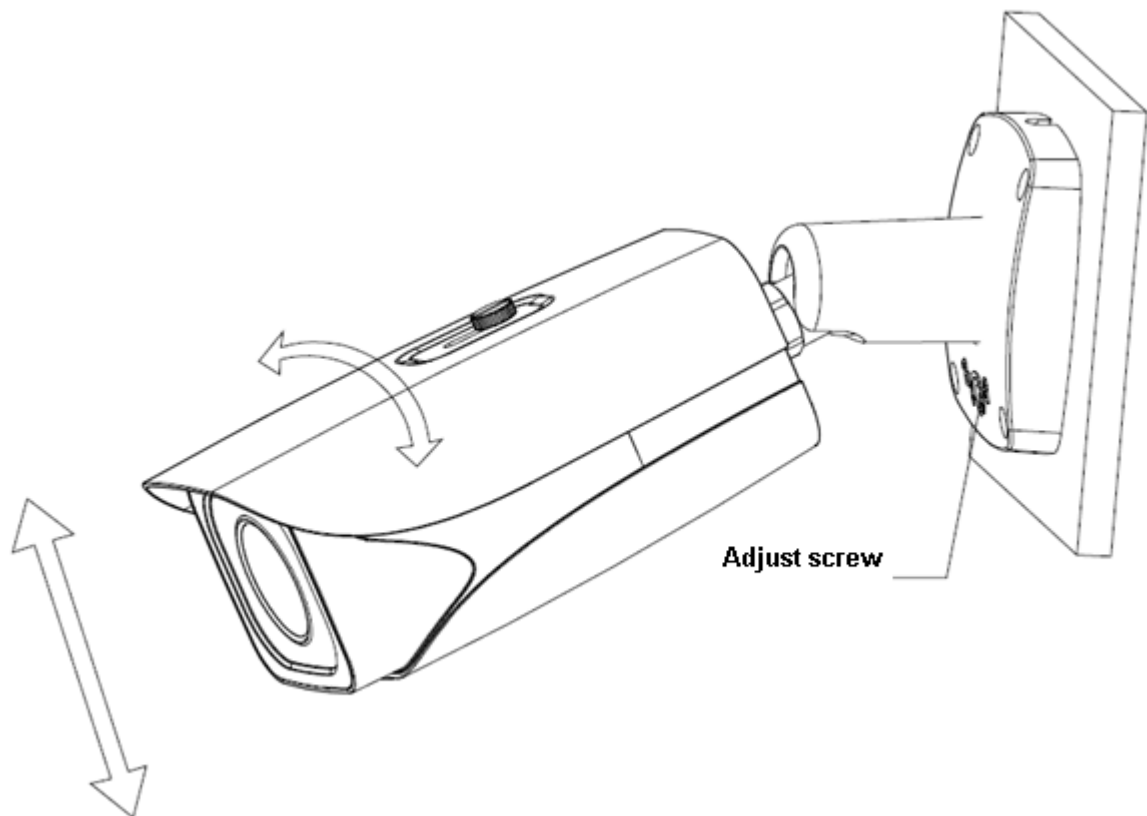


Figure 3-2 Device installation 2

Step 6

Use wobbler driver (in accessories bag) to loosen adjusting screw.

Step 7

Adjust the device in all possible directions, and set its monitoring direction.

Step 8

Use wobbler driver to tighten the screws.

4 Quick Configuration Tool

4.1 Overview

Quick configuration tool can search current IP address, modify IP address. At the same time, you can use it to upgrade the device.

Please note the tool only applies to the IP addresses in the same segment.

4.2 Operation

Double click the “ConfigTools.exe” icon, you can see an interface is shown as in Figure 4-1.

In the device list interface, you can view device IP address, port number, subnet mask, default gateway, MAC address and etc.

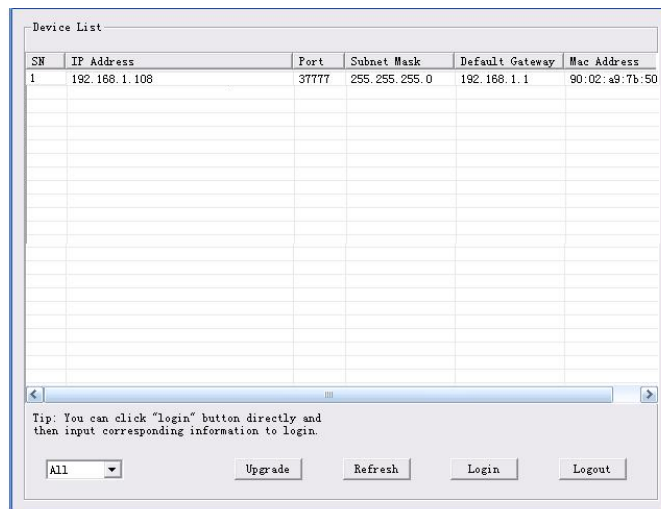


Figure 4-1 Search interface

Select one IP address and then right click mouse, you can see an interface is shown as in Figure 4-2.

Select the “Open Device Web” item; you can go to the corresponding web login interface.

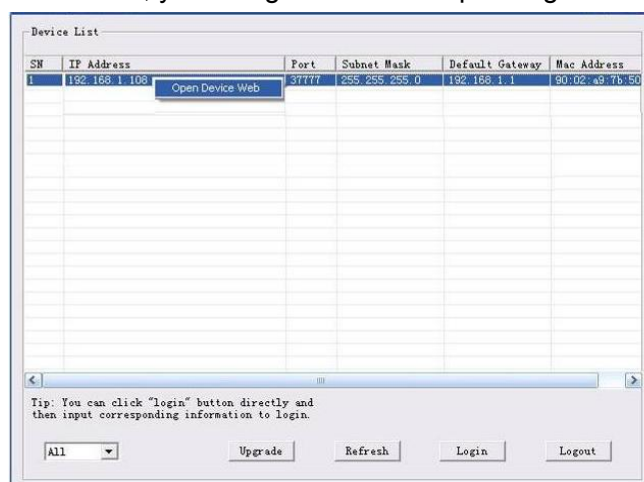


Figure 4-2 Search interface 2

If you want to modify the device IP address without logging in the device web interface, you can go to the configuration tool main interface to set.

In the configuration tool search interface (Figure 4-1), please select a device IP address and then double click it to open the login interface. Or you can select an IP address and then click the Login button to go to the login interface. See Figure 4-3.

In Figure 4-3, you can view device IP address, user name, password and port. Please modify the corresponding information to login.

Please note the port information here shall be identical with the port value you set in TCP port in Web Network interface. Otherwise, you cannot login the device.

If you are using device background upgrade port 3800 to login, other setups are all invalid.

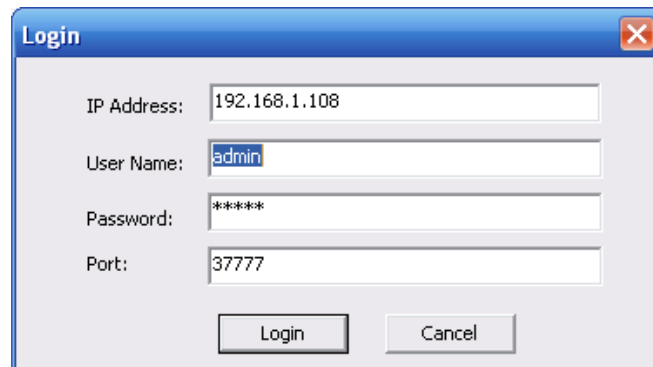
A screenshot of a 'Login' dialog box. It has a title bar with 'Login' and a close button. The dialog contains four input fields: 'IP Address' with '192.168.1.108', 'User Name' with 'admin', 'Password' with '*****', and 'Port' with '37777'. At the bottom, there are two buttons: 'Login' and 'Cancel'.

Figure 4-3 Login prompt

After you logged in, the configuration tool main interface is shown as below. See Figure 4-4.

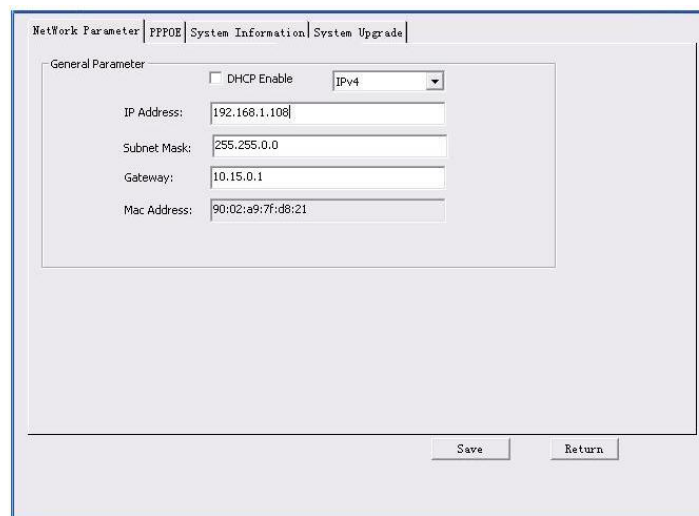
A screenshot of the main configuration interface. At the top, there are tabs: 'Network Parameter', 'PPPOE', 'System Information', and 'System Upgrade'. The 'Network Parameter' tab is active. Below the tabs, there is a 'General Parameter' section. It includes a checkbox for 'DHCP Enable' (unchecked) and a dropdown menu for 'IPv4'. Below these are five input fields: 'IP Address' (192.168.1.108), 'Subnet Mask' (255.255.0.0), 'Gateway' (10.15.0.1), and 'Mac Address' (90:02:a9:7f:d8:21). At the bottom right, there are two buttons: 'Save' and 'Return'.

Figure 4-4 Main interface

For detailed information and operation instruction of the quick configuration tool, please refer to the *Quick Configuration Tool User's Manual* included in the resources CD.

5 Web Operation

This series network camera products support the Web access and management via PC. Web includes several modules: Monitor channel preview, system configuration, alarm and etc.

5.1 Network Connection

Please follow the steps listed below for network connection.

- Make sure the network camera has connected to the network properly.
- Please set the IP address, subnet mask and gateway of the PC and the network camera respectively. Network camera default IP address is 192.168.1.108. Subnet mask is 255.255.255.0. Gateway is 192.168.1.1
- Use order ping `***.***.***.***`(* network camera address) to check connection is OK or not.

5.2 Login and Main Interface

Open IE and input network camera address in the address bar. See Figure 5- 1.

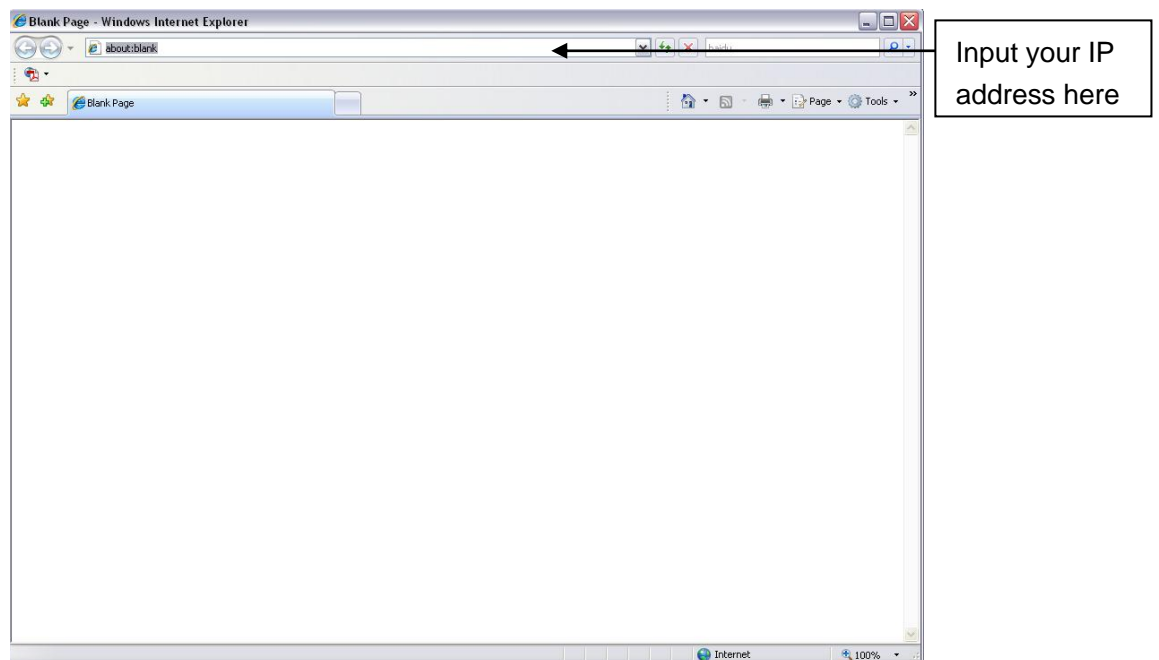


Figure 5- 1 IP address

The login interface is shown as below. See Figure 5- 2.

Please input your user name and password.

Default factory name is admin and password is admin.

Note: For security reasons, please modify your password after you first login.



Figure 5- 2 Web login

After you successfully logged in, please install WEB plug-in unit. Please refer to the Web Operation Manual included in the resource CD for detailed operation instruction.
See Figure 5- 3.

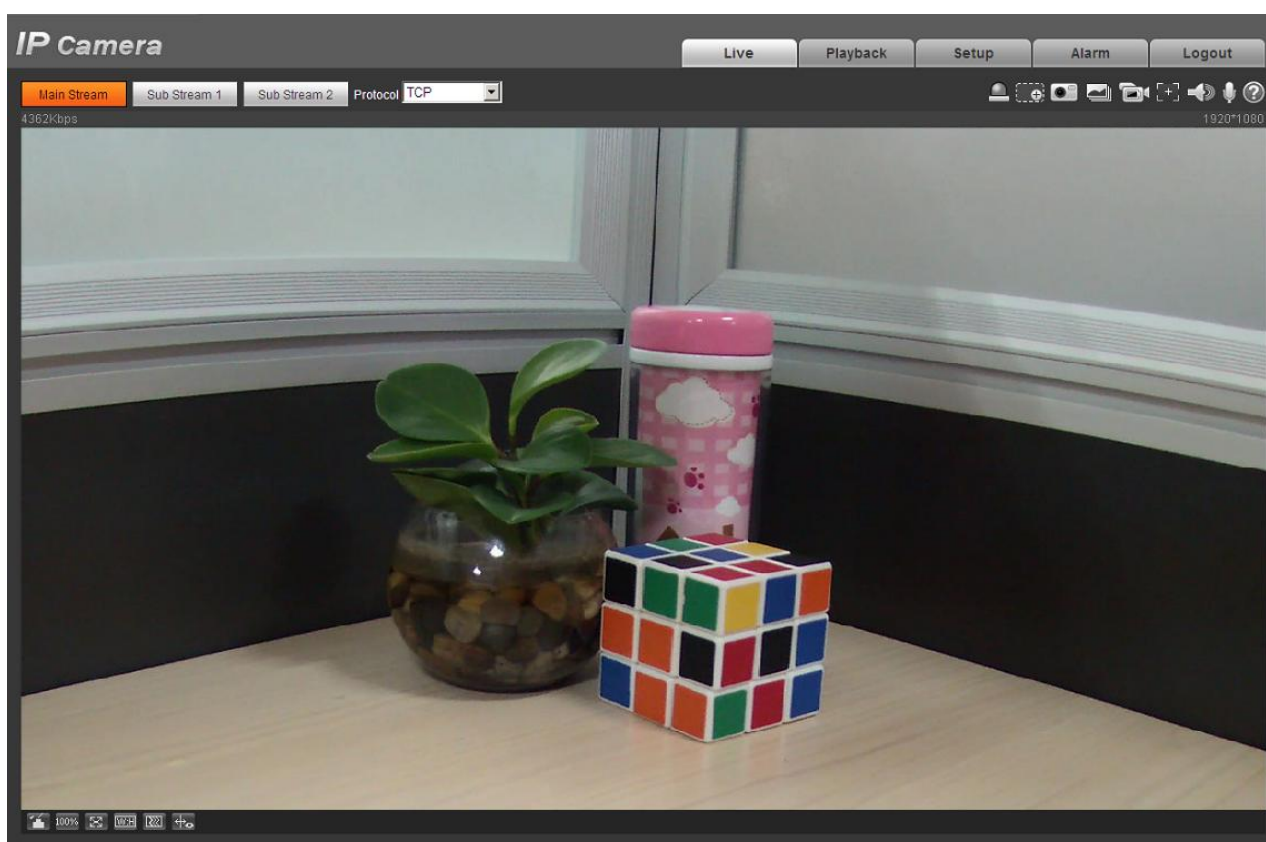


Figure 5- 3 Web monitoring window

6 FAQ

Bug	
I can not boot up the device or operate properly.	Please click RESET button for at least five seconds to restore factory default setup.
The water leakage occurred.	<ul style="list-style-type: none"> ● The unauthorized front or rear cap remove many result in water leakage. ● The glass front cap has sustained heavy push or strike. ● The waterproof plug of the rear cap becomes loosen.
IR video is poor.	<ul style="list-style-type: none"> ● Did not use the proper supplying power. The IR light can not turn on completely. ● The object is out of the IR distance range of current device. ● IR-CUT does not turn to the night mode. The photosensitive chip of the front-end can not sense the IR light.
I can not upgrade the device via network.	When network upgrade operation failed, you can use port 3800 to continue upgrade.
I can not login the client-end or the WEB.	<ul style="list-style-type: none"> ● For Windows OS 98 or Windows ME user, if you can not install the client-end or can not view after the installation. We recommend the win2000 sp4 OS or higher, or install the client-end of the low version. ● The Active X control is blocked. ● The display card version shall be dx8.1 or higher. ● Network connection error occurred. ● Invalid network setup. ● Invalid user name or password.
I can not play the download file.	<ul style="list-style-type: none"> ● There is no player. ● There is no DX8.1 or higher. ● For the MEDIA PLAYER, there shall be Div X503Bundle.exe plugin if you play the .AVI file. ● For Windows XP user, you need to install the plugin DivX503Bundle.exe and ffdsho-2004 1012.exe.
Save configuration	After you modified the important setup, please reboot the device via the software to make sure the setup has been updated to the storage medium.
Power adapter	<ul style="list-style-type: none"> ● The general power adapter can work ranging from 0°C to 40 °C. The device may result in unstable power supply when the temperature exceeds the working temperature. ● Please replace an industry-level power adapter if you are using in the harsh environments.

Appendix Toxic or Hazardous Materials or Elements

Component Name	Toxic or Hazardous Materials or Elements					
	Pb	Hg	Cd	Cr VI	PBB	PBDE
Circuit Board Component	○	○	○	○	○	○
Device Case	○	○	○	○	○	○
Wire and Cable	○	○	○	○	○	○
Packing Components	○	○	○	○	○	○
Accessories	○	○	○	○	○	○

O: Indicates that the concentration of the hazardous substance in all homogeneous materials in the parts is below the relevant threshold of the SJ/T11363-2006 standard.

X: Indicates that the concentration of the hazardous substance of at least one of all homogeneous materials in the parts is above the relevant threshold of the SJ/T11363-2006 standard. During the environmental-friendly use period (EFUP) period, the toxic or hazardous substance or elements contained in products will not leak or mutate so that the use of these (substances or elements) will not result in any severe environmental pollution, any bodily injury or damage to any assets. The consumer is not authorized to process such kind of substances or elements, please return to the corresponding local authorities to process according to your local government statutes.

Note

- **This user's manual is for reference only. Slight difference may be found in user interface.**
- **All the designs and software here are subject to change without prior written notice.**
- **All trademarks and registered trademarks mentioned are the properties of their respective owners.**
- **If there is any uncertainty or controversy, please refer to the final explanation of us.**
- **Please visit our website for more information.**