

HD Pinhole Network Camera Quick Start Guide

Version 1.0.0

Welcome

Thank you for purchasing our network camera!

This quick start guide is designed to be a reference tool for your system.

Please keep this start guide well for future reference.

Please open the accessory bag to check the items one by one in accordance with the list below.

Contact your local retailer ASAP if something is missing or damaged in the bag.

Before your operation please read the following instructions carefully.

1 . Electrical safety

All installation and operation here should conform to your local electrical safety codes.

The power shall conform to the requirement in the SELV (Safety Extra Low Voltage) and the Limited power source is rated 12V DC or 24V AC in the IEC60950-1. (Refer to general introduction) **Please note: Do not connect two power supplying sources to the device at the same time; it may result in device damage! The product must be grounded to reduce the risk of electronic shock.**

We assume no liability or responsibility for all the fires or electrical shock caused by improper handling or installation.

We are not liable for any problems caused by unauthorized modification or attempted repair.

2 . Transportation security

Heavy stress, violent vibration or water splash are not allowed during transportation, storage and installation.

3 . Installation

Do not apply power to the camera before completing installation.

Please install the proper power cut-off device during the installation connection.

Always follow the instruction guide the manufacturer recommended.

4 . Qualified engineers needed

All the examination and repair work should be done by the qualified service engineers.

We are not liable for any problems caused by unauthorized modifications or attempted repair.

5 . Environment

This series network camera should be installed in a cool, dry place away from direct sunlight, inflammable, explosive substances and etc.

Please keep it away from the electromagnetic radiation object and environment.

Please make sure the CCD (CMOS) component is out of the radiation of the laser beam device.

Otherwise it may result in CCD (CMOS) optical component damage.

Please keep the sound ventilation.

Do not allow the water and other liquid falling into the camera.

Thunder-proof device is recommended to be adopted to better prevent thunder.

The grounding studs of the product are recommended to be grounded to further enhance the reliability of the camera.

6. Daily Maintenance

Please shut down the device and then unplug the power cable before you begin daily maintenance work.

Do not touch the CCD (CMOS) optic component. You can use the blower to clean the dust on the lens surface.

Always use the dry soft cloth to clean the device. If there is too much dust, please use the water to dilute the mild detergent first and then use it to clean the device. Finally use the dry cloth to clean the device.

Please put the dustproof cap to protect the CCD (CMOS) component when you do not use the camera. Dome enclosure is the optical component, do not touch the enclosure when you are installing the device or clean the enclosure when you are doing maintenance work. Please use professional optical clean method to clean the enclosure. Improper enclosure clean method (such as use cloth) may result in poor IR effect of camera with IR function.

7. Accessories

Be sure to use all the accessories recommended by manufacturer.

Before installation, please open the package and check all the components are included.

Contact your local retailer ASAP if something is broken in your package.

Accessory Name	Amount
Network Camera Unit	1
Quick Start Guide	1
Installation Accessories Bag	1
CD	1

Table of Contents

1	Device Framework	1
1.1	Port Name.....	1
1.2	Dimension.....	2
1.3	Bidirectional Talk	4
1.3.1	Device-end to PC-end	4
1.3.1	PC-end to the Device-end	4
1.4	Alarm Setup.....	4
2	Device Installation	5
3	Quick Configuration Tool.....	6
3.1	Overview	6
3.2	Operation	6
4	Web Operation.....	8
4.1	Network Connection.....	8
4.2	Login and Logout.....	8
	Appendix Toxic or Hazardous Materials or Elements	10

1 Device Framework

1.1 Port Name

Note:

The framework figures in this chapter are just for reference, there is some minor difference between the appearance of products and the corresponding figures, so please refer to the actual products.

You can refer to the following figures for port information. See Figure 1-1 and Figure 1-2.

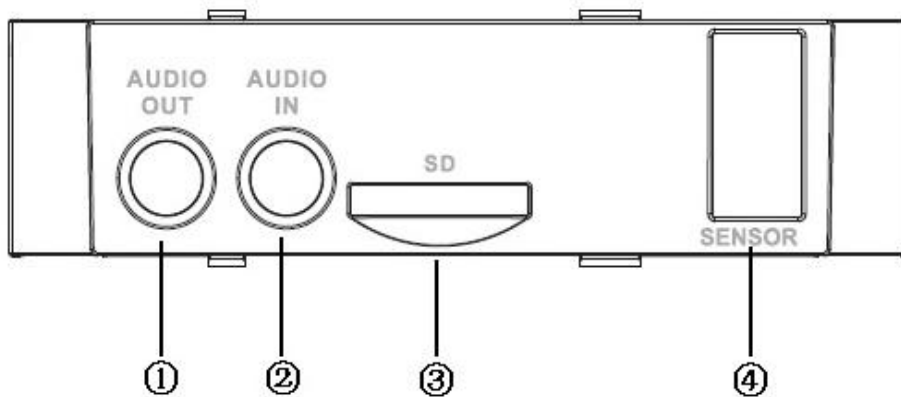


Figure 1-1

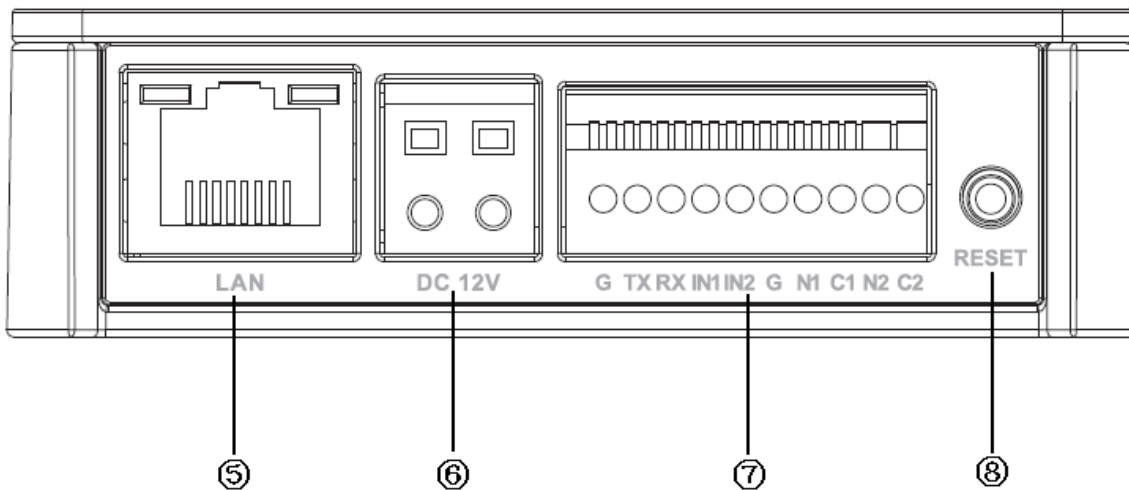


Figure 1-2

Please refer to the following sheet for detailed information about port function.

SN	Port	Port Name	Connector	Function Note
1	AUDIO OUT	Audio output port	RCA	Output audio signal to the speakers and other devices.
2	AUDIO IN	Audio input port	RCA	Input audio signal, receive analog audio signal from pickup and other devices.

SN	Port	Port Name	Connector	Function Note
3	Micro SD Card	Micro SD	Micro SD Card slot	Micro SD card storage
4	SENSOR	Sensor port	Sensor board	Connect front end Sensor board, get image data.
5	LAN	Network port	Ethernet port	Connect standard Ethernet cable
6	DC12V	Power input port	-	Power port, input DC12 V or POE power supply.
7	I/O	I/O port	-	Connect I/O port.
8	Reset Button	Reset	-	<p>It is used to restore factory default settings for the device.</p> <p>Note:</p> <p>Continuously press the button for over 5 seconds in the situation where the device is working normally, then the system configuration info can be restored to factory default settings.</p>

Sheet 1-1

Please refer to Sheet 1-2 for more details about I/O port.

Port Name	Cable Port name	Function Note
I/O port	G	GND
	TX	232 sending port.
	RX	232 receiving port.
	IN1	Alarm input port1, receive on-off signal from external alarm source.
	IN2	Alarm input port 2, receive on-off signal from external alarm source.
	G	GND
	N1	Alarm output port1
	C1	
	N2	Alarm output port2
	C2	

1.2 Dimension

Please refer to the following figures for dimension information. The unit is mm. See Figure 1- 3 to Figure 1-5.

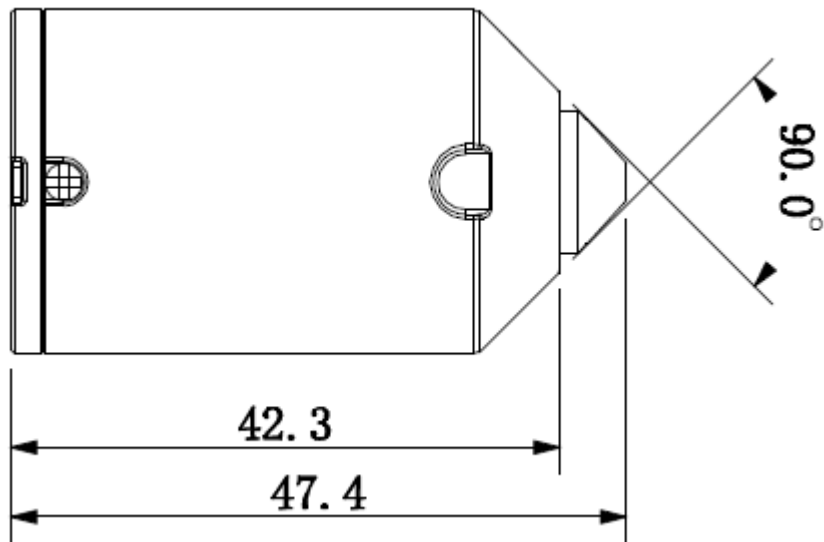


Figure 1-3

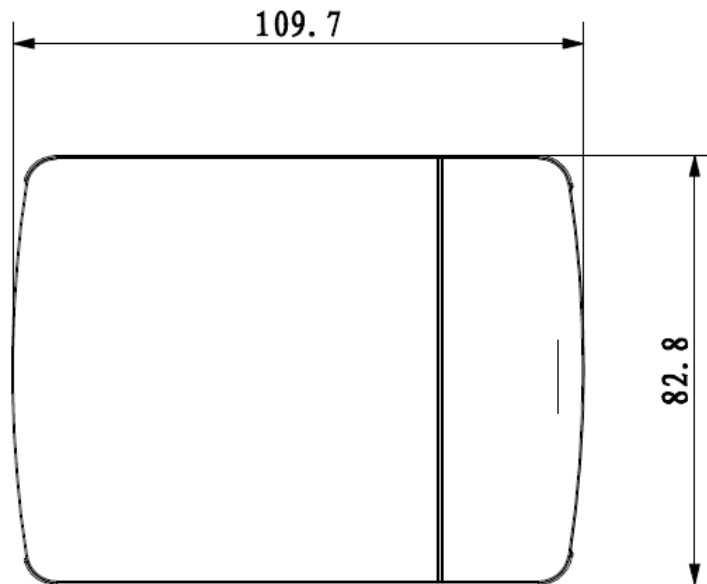


Figure 1-4

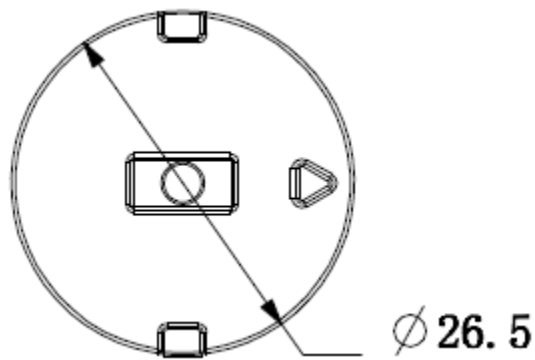


Figure 1-5

1.3 Bidirectional Talk

1.3.1 Device-end to PC-end

Device Connection

Please connect the speaker or the MIC to the audio input port of the device. Then connect the earphone to the audio output port of the PC.

Login the Web and then click the Talk button to enable the bidirectional talk function.

You can see the button becomes orange after you enabled the bidirectional talk function.

Click Talk button again to stop the bidirectional talk function.

Listening Operation

At the device end, speak via the speaker or the pickup, and then you can get the audio from the earphone or sound box at the pc-end.

1.3.1 PC-end to the Device-end

Device Connection

Connect the speaker or the MIC to the audio input port of the PC and then connect the earphone to the audio output port of the device.

Login the Web and then click the Talk button to enable the bidirectional talk function.

You can see the button becomes orange after you enabled the audio talk function.

Click Talk button again to stop the bidirectional talk function.

Please note the on-site listening operation is null during the bidirectional talk process.

Listening Operation

At the PC-end, speak via the speaker or the pickup, and then you can get the audio from the earphone or sound box at the device-end.

1.4 Alarm Setup

Please refer to Figure 1-6 for more information.

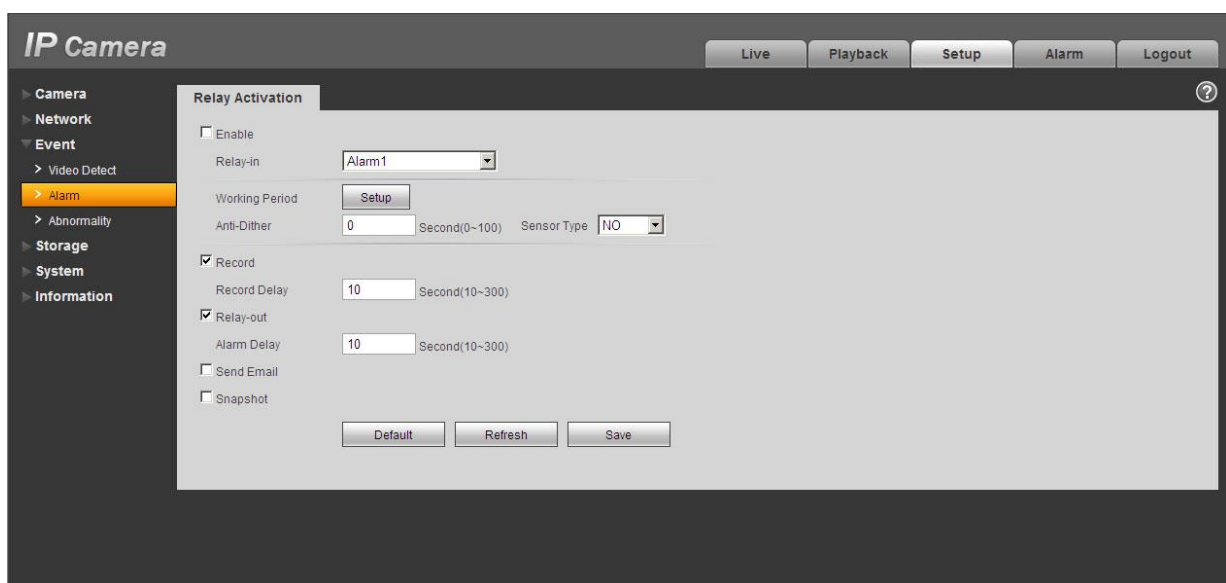


Figure 1-6

2 Device Installation

Important

Please make sure the installation surface can support the 3X weight of the camera and the bracket.

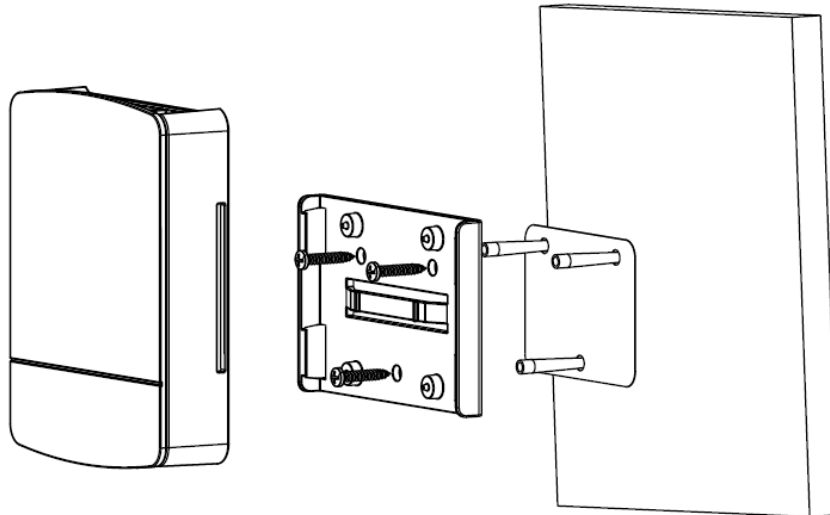


Figure 2-1

Please see Figure 2-1.

Step 1

Stick installation position map to designated surface where you will install the device

Step 2

Dig a hole according to position of hole on installation position map.

Step 3

Open accessories bag, take out expansion bolt and insert it into the hole you just dug.

Step 4

Open accessories bag, take out screws. Tighten the 3 screws to fix the device on the installation surface where the bolts are located.

Step 5

Put the camera body into the installation bracket directly.

Step 6

Connect front-end lens to camera body by cable.

3 Quick Configuration Tool

3.1 Overview

Quick configuration tool can search current IP address, modify IP address. At the same time, you can use it to upgrade the device.

Please note the tool only applies to the IP addresses in the same segment.

3.2 Operation

Double click the “ConfigTools.exe” icon, you can see an interface In the device list interface, you can view device IP address, port number, subnet mask, default gateway, MAC address and etc. Select one IP address and then right click mouse, you can see an interface is shown as in Figure 3-1. Select the “Open Device Web” item; you can go to the corresponding web login interface.

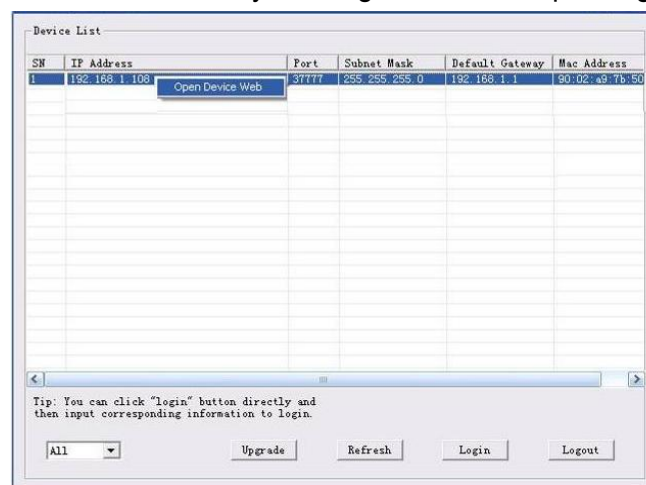


Figure 3-1

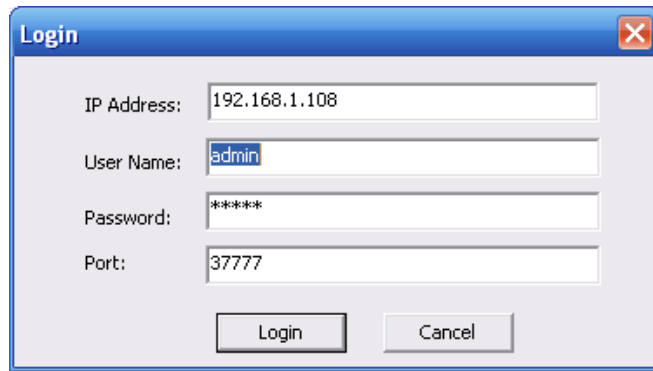
If you want to modify the device IP address without logging in the device web interface, you can go to the configuration tool main interface to set.

In the configuration tool search interface in Figure 3-1, please select a device IP address and then double click it to open the login interface. Or you can select an IP address and then click the Login button to go to the login interface. See Figure 3-2.

In Figure 3-2, you can view device IP address, user name, password and port. Please modify the corresponding information to login.

Please note the port information here shall be identical with the port value you set in TCP port in Web Network interface. Otherwise, you cannot login the device.

If you are using device background upgrade port 3800 to login, other setups are all invalid.

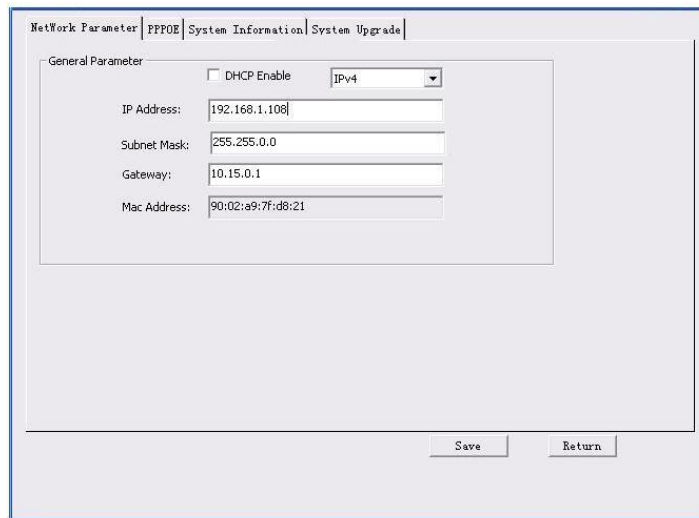
A Windows-style dialog box titled "Login" with a close button in the top right corner. It contains four text input fields: "IP Address" with the value "192.168.1.108", "User Name" with the value "admin", "Password" with the value "*****", and "Port" with the value "37777". At the bottom, there are two buttons: "Login" and "Cancel".

IP Address:	192.168.1.108
User Name:	admin
Password:	*****
Port:	37777

Login Cancel

Figure 3-2 Login prompt

After you logged in, the configuration tool main interface is shown as below. See Figure 3-3.

A configuration tool main interface with a tabbed menu at the top: "Network Parameter", "PPPOE", "System Information", and "System Upgrade". The "Network Parameter" tab is active. Below the tabs is a "General Parameter" section containing a "DHCP Enable" checkbox (unchecked) and a "IPv4" dropdown menu. Below these are five text input fields: "IP Address" (192.168.1.108), "Subnet Mask" (255.255.0.0), "Gateway" (10.15.0.1), and "Mac Address" (90:02:a9:7f:d8:21). At the bottom right, there are "Save" and "Return" buttons.

Network Parameter | PPPOE | System Information | System Upgrade

General Parameter

DHCP Enable IPv4

IP Address: 192.168.1.108

Subnet Mask: 255.255.0.0

Gateway: 10.15.0.1

Mac Address: 90:02:a9:7f:d8:21

Save Return

Figure 3-3 Main interface

For detailed information and operation instruction of the quick configuration tool, please refer to the *Quick Configuration Tool User's Manual* included in the resources CD.

4 Web Operation

This series network camera product supports the Web access and management via PC. Web includes several modules: monitor channel preview, system configuration, alarm and etc.

4.1 Network Connection

Please follow the steps listed below for network connection.

- Make sure the network camera has connected to the network properly.
- Please set the IP address, subnet mask and gateway of the PC and the network camera respectively. Network camera default IP address is 192.168.1.108. Subnet mask is 255.255.255.0. Gateway is 192.168.1.1
- Use order ping `***.***.***.***`(* network camera address) to check connection is OK or not.

4.2 Login and Logout

Open IE and input network camera address in the address bar. See Figure 4-1.

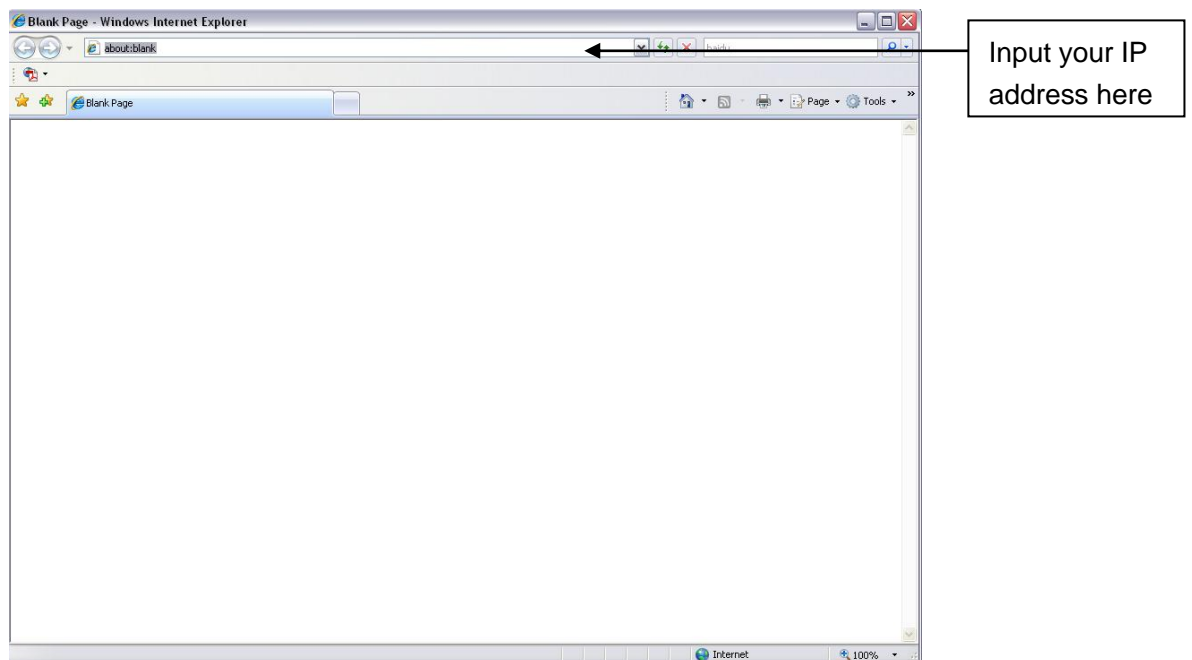


Figure 4-1 IP address

The login interface is shown as below. See Figure 4-2.

Please input your user name and password.

Default factory name is admin and password is admin.

Note: For security reasons, please modify your password after you first login.



Figure 4-2 Web login

After you successfully logged in, please install WEB plug-in unit. Please refer to the Web Operation Manual included in the resource CD for detailed operation instruction. See Figure 4-3.

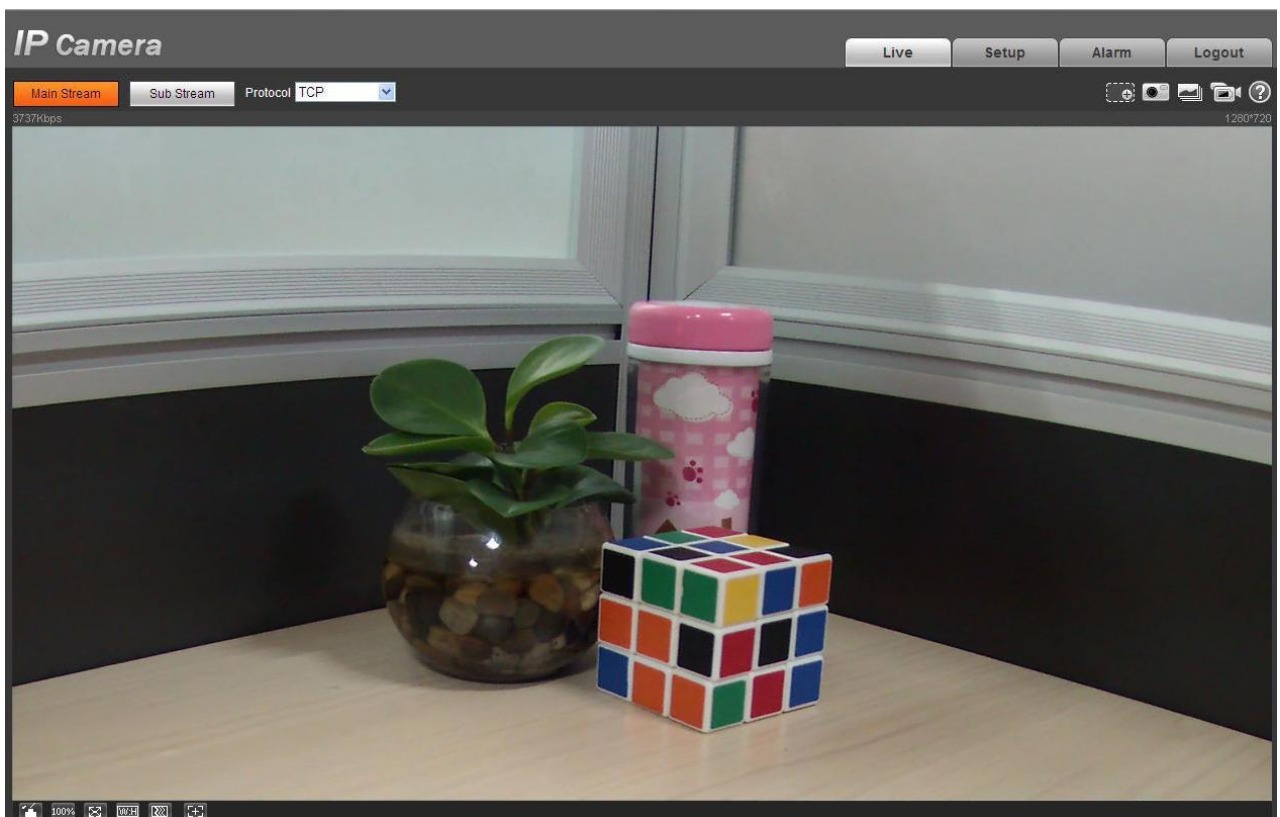


Figure 4-3 Web monitoring window

Appendix Toxic or Hazardous Materials or Elements

Component Name	Toxic or Hazardous Materials or Elements					
	Pb	Hg	Cd	Cr VI	PBB	PBDE
Circuit Board Component	○	○	○	○	○	○
Device Construction Material	○	○	○	○	○	○
Wire and Cable	○	○	○	○	○	○
Packing Components	○	○	○	○	○	○
Accessories	○	○	○	○	○	○

O: Indicates that the concentration of the hazardous substance in all homogeneous materials in the parts is below the relevant threshold of the SJ/T11363-2006 standard.

X: Indicates that the concentration of the hazardous substance of at least one of all homogeneous materials in the parts is above the relevant threshold of the SJ/T11363-2006 standard. During the environmental-friendly use period (EFUP) period, the toxic or hazardous substance or elements contained in products will not leak or mutate so that the use of these (substances or elements) will not result in any severe environmental pollution, any bodily injury or damage to any assets. The consumer is not authorized to process such kind of substances or elements, please return to the corresponding local authorities to process according to your local government statutes.

Note:

- This quick start guide is for reference only. Slight difference may be found in user interface.
- All the designs and software here are subject to change without prior written notice.
- If there is any uncertainty or controversy, please refer to the final explanation of us.
- Please visit our website or contact your local service engineer for more information.