

HD Mini IR Waterproof Fixed Network Camera

Quick Start Guide

Version 1.0.1

Welcome

Thank you for purchasing our network camera!

This quick start guide is designed to be a reference tool for your system.

Please keep this start guide well for future reference.

Please open the accessory bag to check the items one by one in accordance with the list below.

Contact your local retailer ASAP if something is missing or damaged in the bag.

Before your operation please read the following instructions carefully.

1 . Electrical safety

All installation and operation here should conform to your local electrical safety codes.

The power shall conform to the requirement in the SELV (Safety Extra Low Voltage) and the Limited power source is rated 12V DC or 24V AC in the IEC60950-1. (Refer to general introduction) **Please note: Do not connect two power supplying sources to the device at the same time; it may result in device damage!**

We assume no liability or responsibility for all the fires or electrical shock caused by improper handling or installation.

We are not liable for any problems caused by unauthorized modification or attempted repair.

2 . Transportation security

Heavy stress, violent vibration or water splash are not allowed during transportation, storage and installation.

3 . Installation

Do not apply power to the camera before completing installation.

Please install the proper power cut-off device during the installation connection.

Always follow the instruction guide the manufacturer recommended.

4 . Qualified engineers needed

All the examination and repair work should be done by the qualified service engineers.

We are not liable for any problems caused by unauthorized modifications or attempted repair.

5 . Environment

This series network camera should be installed in a cool, dry place away from direct sunlight, inflammable, explosive substances and etc.

Please keep it away from the electromagnetic radiation object and environment.

Please make sure the CCD (CMOS) component is out of the radiation of the laser beam device.

Otherwise it may result in CCD (CMOS) optical component damage.

Please keep the sound ventilation.

Do not allow the water and other liquid falling into the camera.

Thunder-proof device is recommended to be adopted to better prevent thunder.

The grounding studs of the product are recommended to be grounded to further enhance the reliability of the camera.

6. Daily Maintenance

Please shut down the device and then unplug the power cable before you begin daily maintenance work.

Do not touch the CCD (CMOS) optic component. You can use the blower to clean the dust on the lens surface.

Always use the dry soft cloth to clean the device. If there is too much dust, please use the water to dilute the mild detergent first and then use it to clean the device. Finally use the dry cloth to clean the device.

Please put the dustproof cap to protect the CCD (CMOS) component when you do not use the camera. Dome enclosure is the optical component, do not touch the enclosure when you are installing the device or clean the enclosure when you are doing maintenance work. Please use professional optical clean method to clean the enclosure. Improper enclosure clean method (such as use cloth) may result in poor IR effect of camera with IR function.

7. Accessories

Be sure to use all the accessories recommended by manufacturer.

Before installation, please open the package and check all the components are included.

Contact your local retailer ASAP if something is broken in your package.

Accessory Name	Amount
Network Camera Unit	1
Quick Start Guide	1
Installation Accessories Bag	1
CD	1

Table of Contents

1	Framework.....	1
1.1	Cable	1
1.2	Framework and Dimension	2
2	Device Installation	5
3	Quick Configuration Tool.....	7
3.1	Overview	7
3.2	Operation	7
4	Web Operation.....	9
4.1	Network Connection.....	9
4.2	Login and Main Interface.....	9
	Appendix Toxic or Hazardous Materials or Elements	11

1 Framework

1.1 Cable

You can refer to the following figure for cable information. See Figure 1-1 and Figure 1-2.

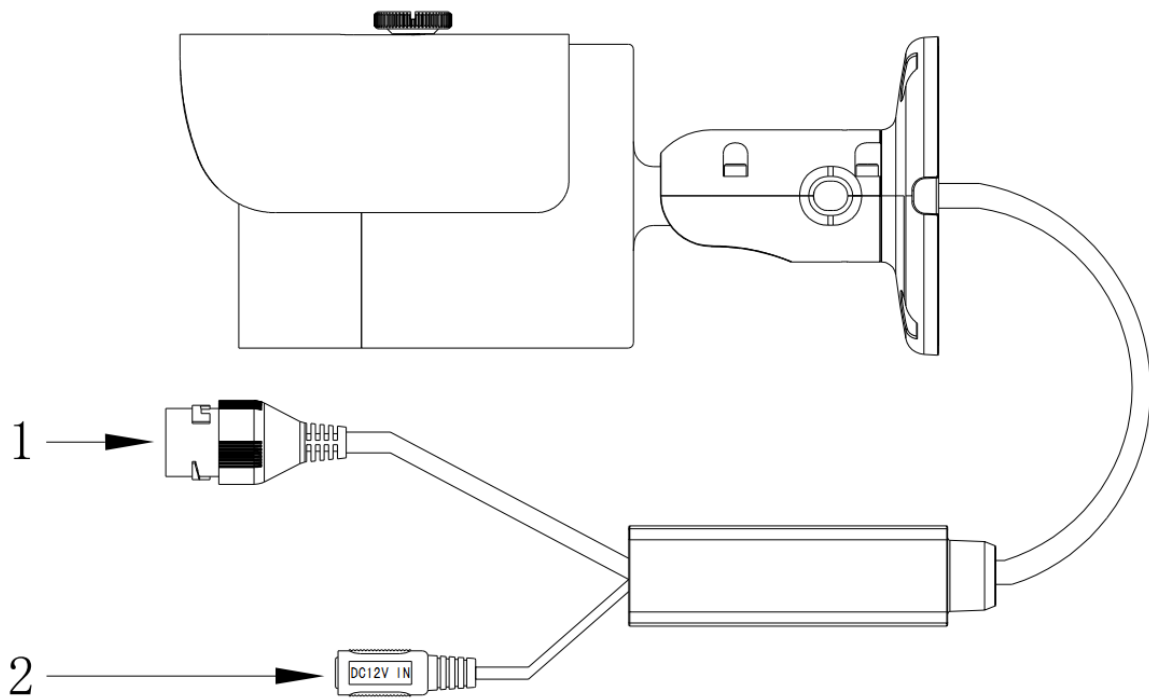


Figure 1-1 Cable

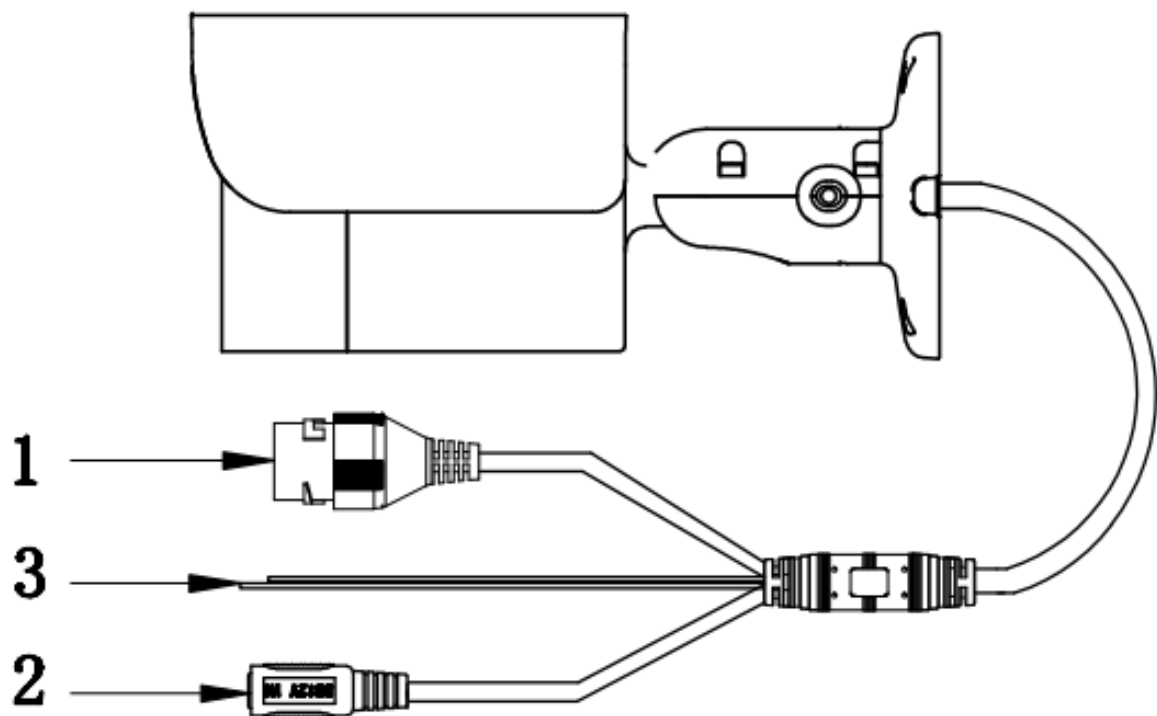


Figure 1-2 Cable

Please refer to the following sheet for detailed information.

No.	Port Name	Function	Connection	Note
1	LAN	Network port	Ethernet port	Connect to standard Ethernet cable. Note: Some devices do not support PoE. Before making crystal head, pull the anti-dust, waterproof cover through network cable.
2	DC 12V	Power input port	/	Power port. Input DC 12V.
3	Reset	WPS/Reset port	/	WPS/Hardware reset wire Press the WPS button of router, keep the Reset wire short circuit for 1-2 seconds, generally the device can be connected to corresponding router within 1 minute. Keep the Reset wire short circuit for more than 5 seconds when the device is under normal working condition, then the system configuration information can be restored to default setting.

1.2 Framework and Dimension

Please refer to the following figures for dimension information. The unit is mm. See Figure 1-3 to Figure 1-6.

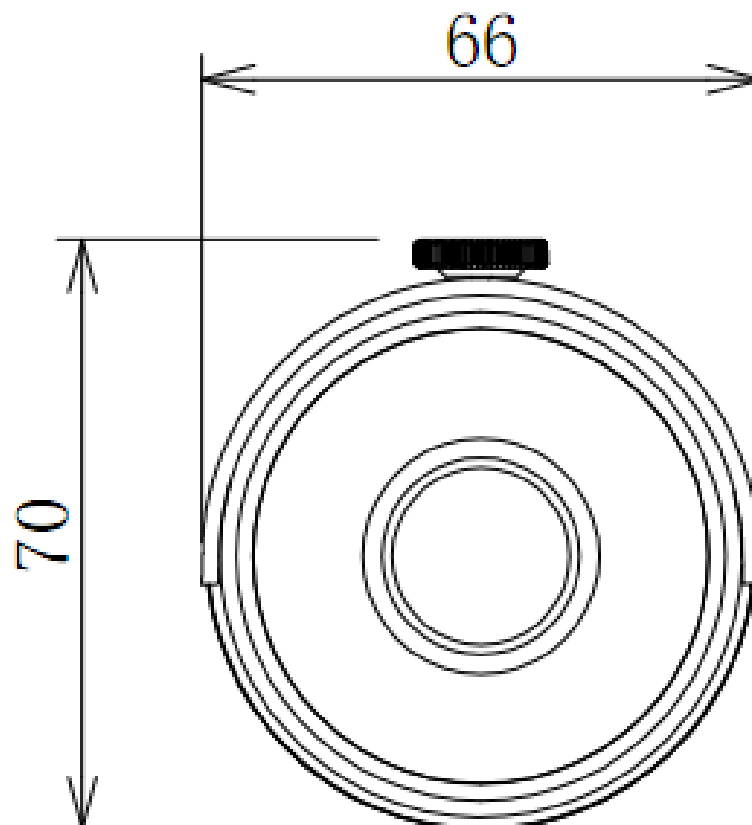


Figure 1-3

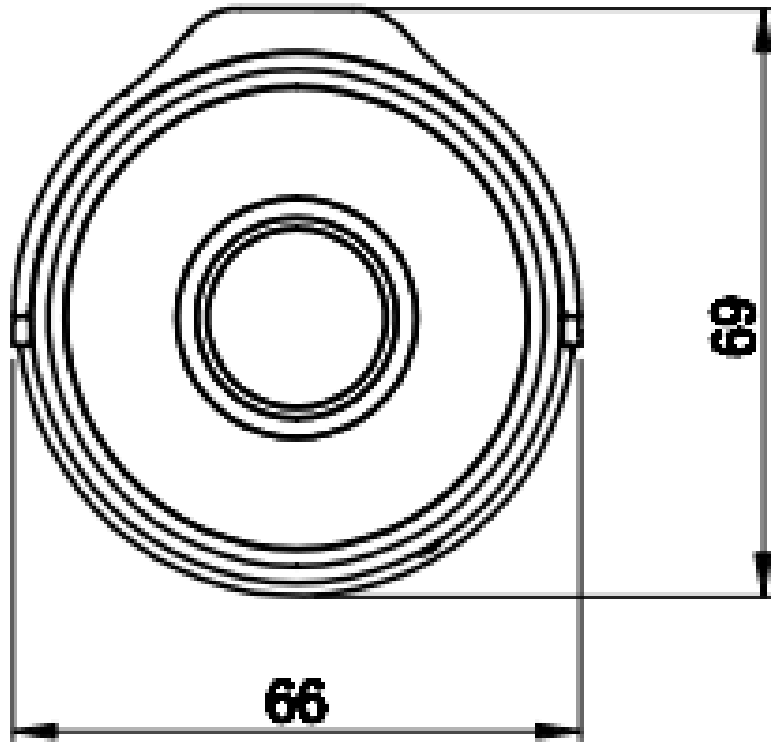


Figure 1-4

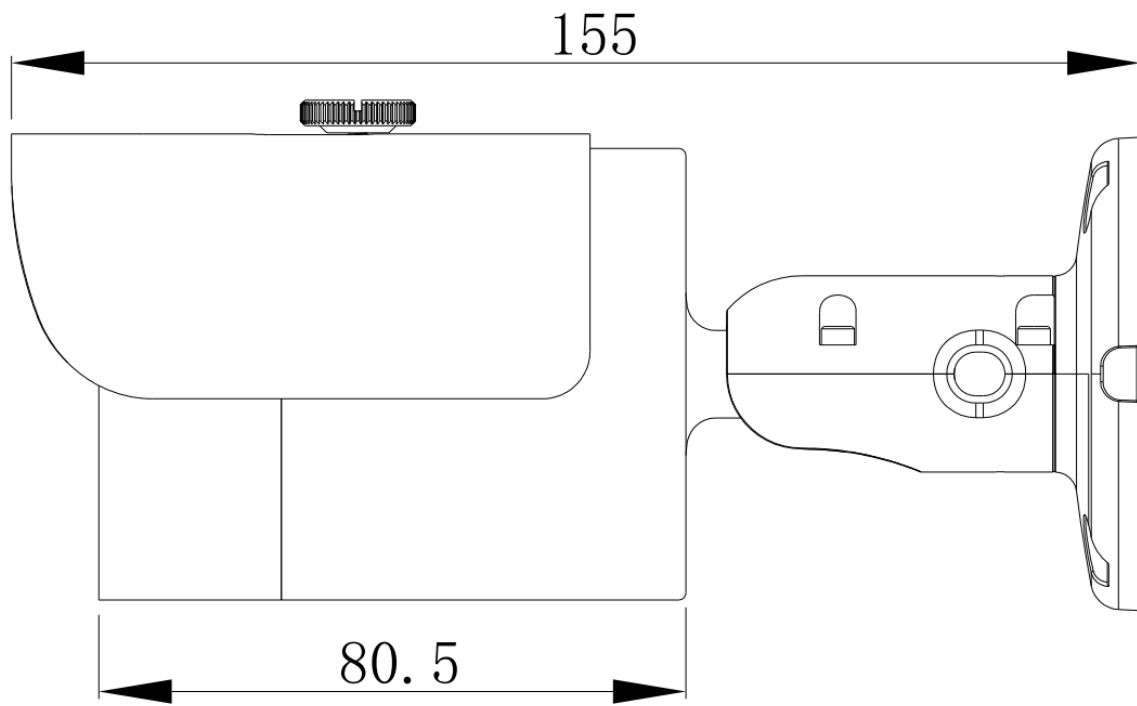


Figure 1-5

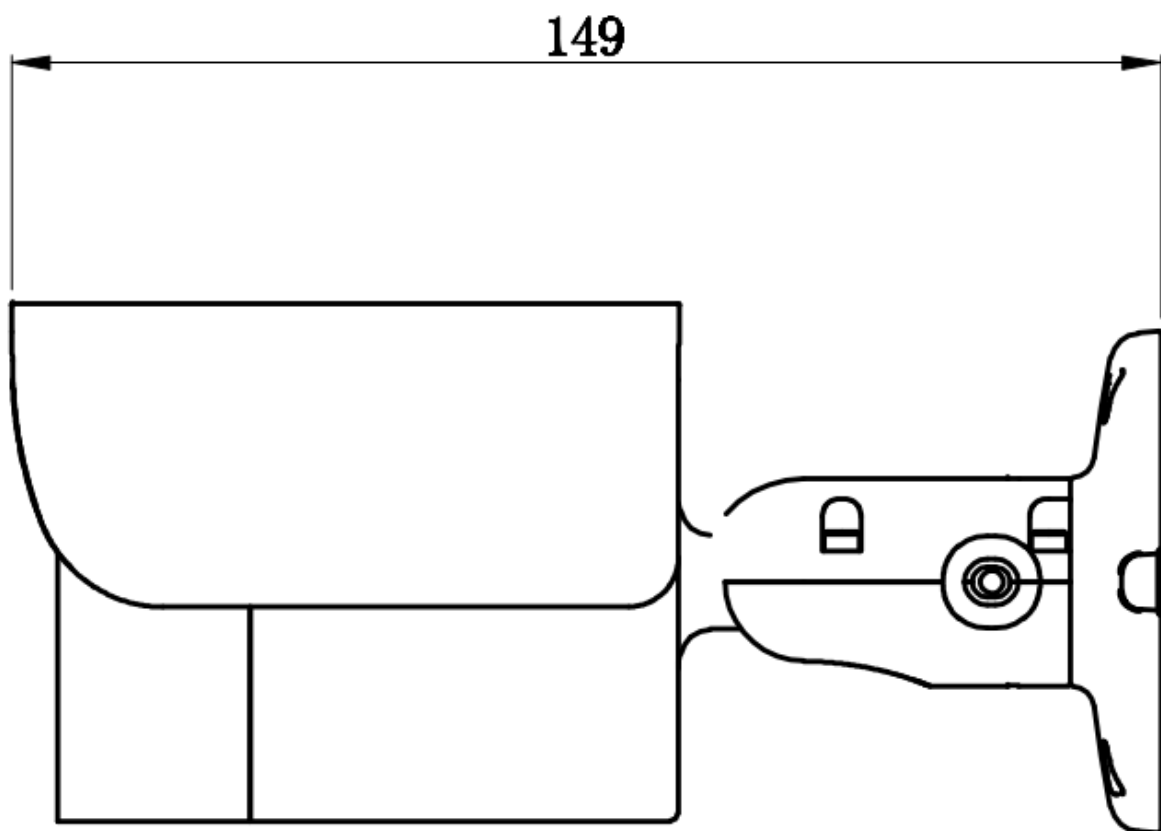


Figure 1-6

2 Device Installation

Important

Please make sure the installation surface can min support the 3X weight of the camera and the bracket.

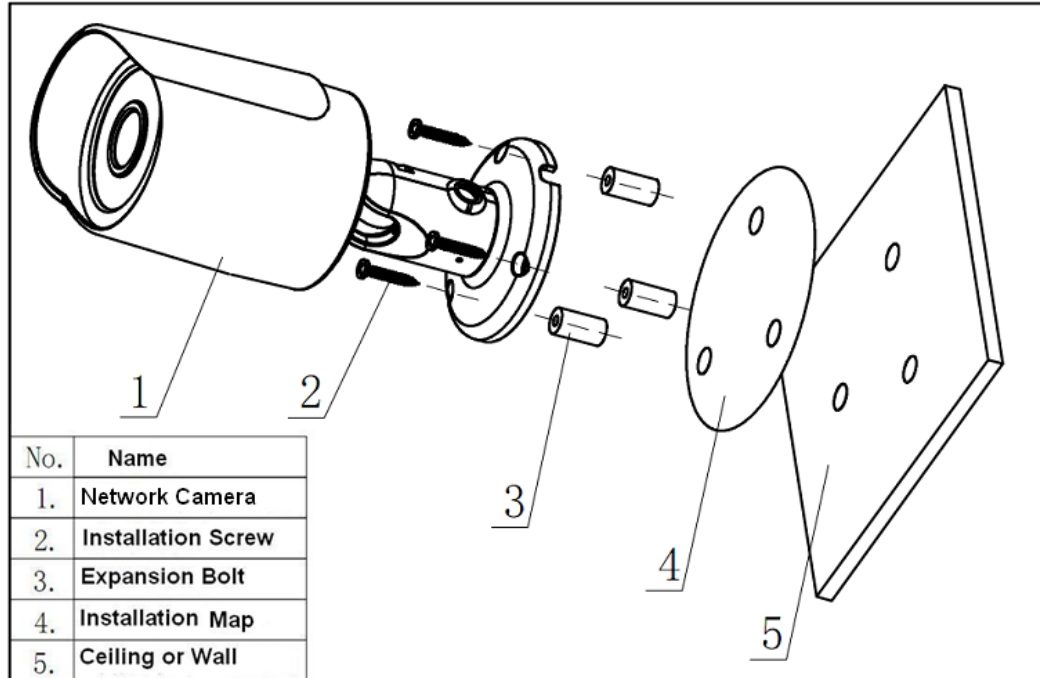


Figure 2-1 Device installation 1

Please see Figure 2-1 and Figure 2-2.

Step 1

Stick installation map to designated surface where you will install the device (wall or ceiling).

Step 2

Dig a hole according to position of hole on installation map.

Step 3

Open accessories bag, take out expansion bolt and insert it into the hole you just dug.

Step 4

Open accessories bag, take out screw. Tighten the 4 screws to fix the device on the installation surface (wall or ceiling). You can move device sunshade back and forth. When you have fixed the device, you must tighten screws on sunshade.

Step 5

Plug external wiring of the device properly.

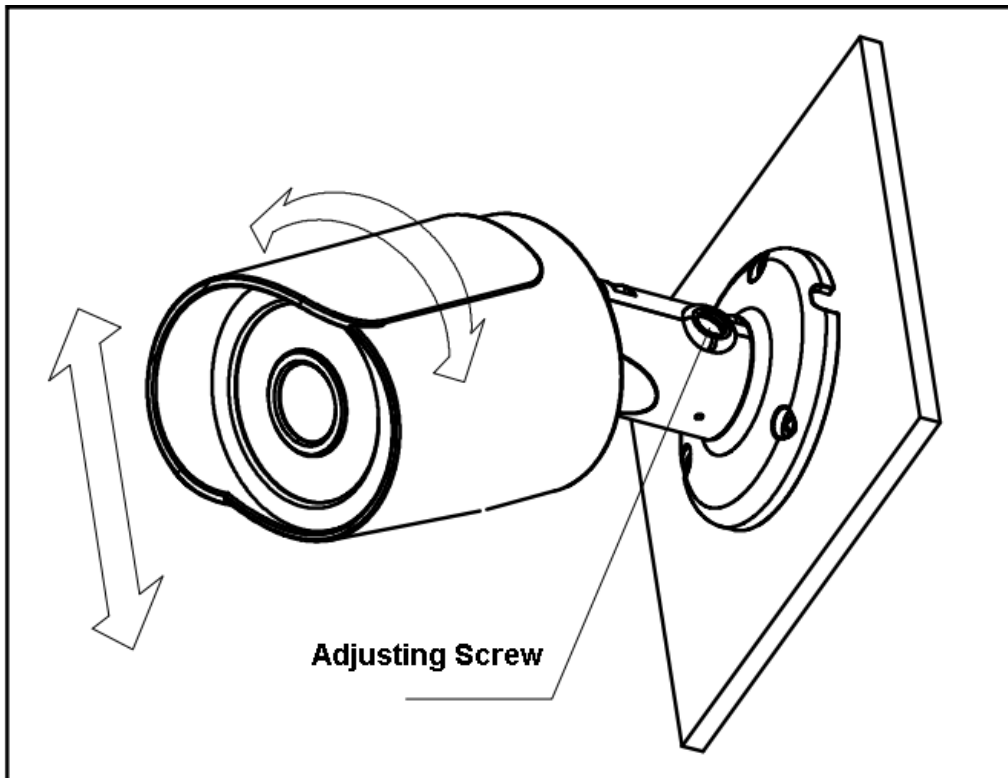


Figure 2-2 Device installation 2

Step 6

Use Philip's head screw (in accessories bag) to loosen adjusting screw.

Step 7

Adjust the device in all possible directions, and set its monitoring direction.

Step 8

Use Philip's head screw to tighten the screws.

3 Quick Configuration Tool

3.1 Overview

Quick configuration tool can search current IP address, modify IP address. At the same time, you can use it to upgrade the device.

Please note the tool only applies to the IP addresses in the same segment.

3.2 Operation

Double click the “ConfigTools.exe” icon, you can see an interface is shown as in Figure 3-1.

In the device list interface, you can view device IP address, port number, subnet mask, default gateway, MAC address and etc.

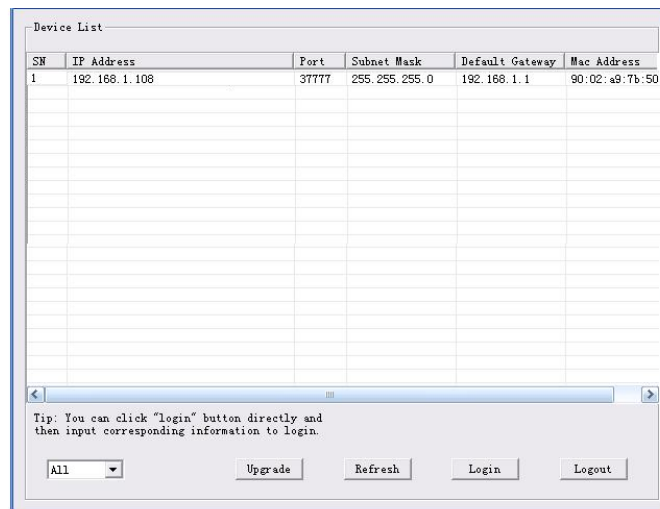


Figure 3-1 Search interface

Select one IP address and then right click mouse, you can see an interface is shown as in Figure 3-2.

Select the “Open Device Web” item; you can go to the corresponding web login interface.

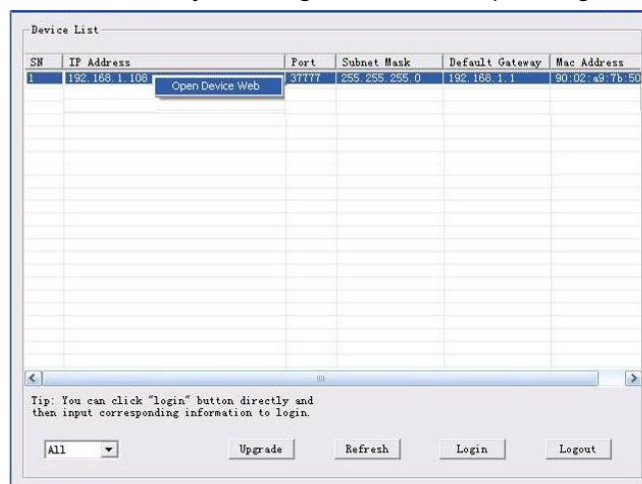


Figure 3-2 Search interface 2

If you want to modify the device IP address without logging in the device web interface, you can go to the configuration tool main interface to set.

In the configuration tool search interface (Figure 3-1), please select a device IP address and then double click it to open the login interface. Or you can select an IP address and then click the Login button to go to the login interface. See Figure 3-3.

In Figure 3-3, you can view device IP address, user name, password and port. Please modify the corresponding information to login.

Please note the port information here shall be identical with the port value you set in TCP port in Web Network interface. Otherwise, you cannot login the device.

If you are using device background upgrade port 3800 to login, other setups are all invalid.

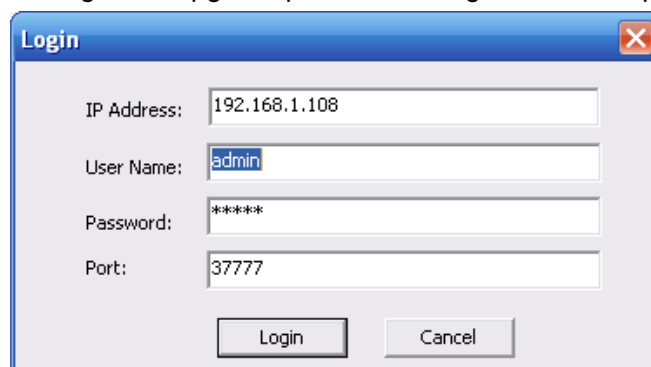
A dialog box titled "Login" with a close button in the top right corner. It contains four input fields: "IP Address" with the value "192.168.1.108", "User Name" with the value "admin", "Password" with the value "*****", and "Port" with the value "37777". At the bottom, there are two buttons: "Login" and "Cancel".

Figure 3-3 Login prompt

After you logged in, the configuration tool main interface is shown as below. See Figure 3-4.

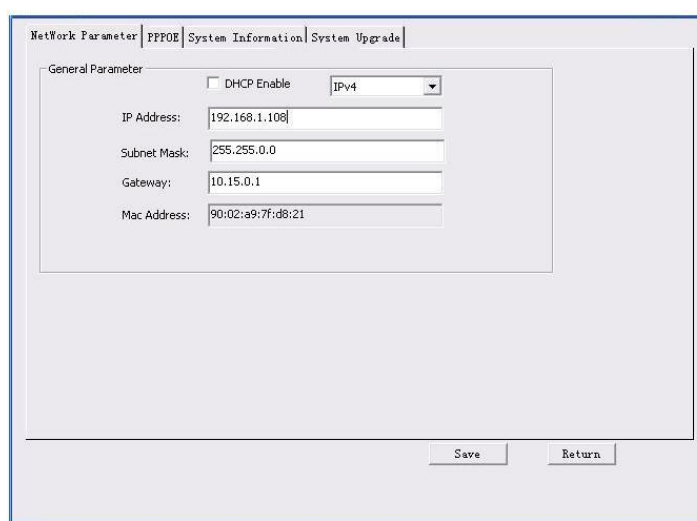
A screenshot of the configuration tool main interface. At the top, there are tabs: "Network Parameter", "PPPOE", "System Information", and "System Upgrade". The "Network Parameter" tab is selected. Below the tabs, there is a "General Parameter" section. It includes a checkbox for "DHCP Enable" which is unchecked, and a dropdown menu for "IPv4" which is set to "IPv4". Below these are five input fields: "IP Address" (192.168.1.108), "Subnet Mask" (255.255.0.0), "Gateway" (10.15.0.1), and "Mac Address" (90:02:a9:7f:d8:21). At the bottom right, there are two buttons: "Save" and "Return".

Figure 3-4 Main interface

For detailed information and operation instruction of the quick configuration tool, please refer to the *Quick Configuration Tool User's Manual* included in the resources CD.

4 Web Operation

This series network camera products support the Web access and management via PC. Web includes several modules: Monitor channel preview, system configuration, alarm and etc.

4.1 Network Connection

Please follow the steps listed below for network connection.

- Make sure the network camera has connected to the network properly.
- Please set the IP address, subnet mask and gateway of the PC and the network camera respectively. Network camera default IP address is 192.168.1.108. Subnet mask is 255.255.255.0. Gateway is 192.168.1.1
- Use order ping `***.***.***.***`(* network camera address) to check connection is OK or not.

4.2 Login and Main Interface

Open IE and input network camera address in the address bar. See Figure 4- 1.

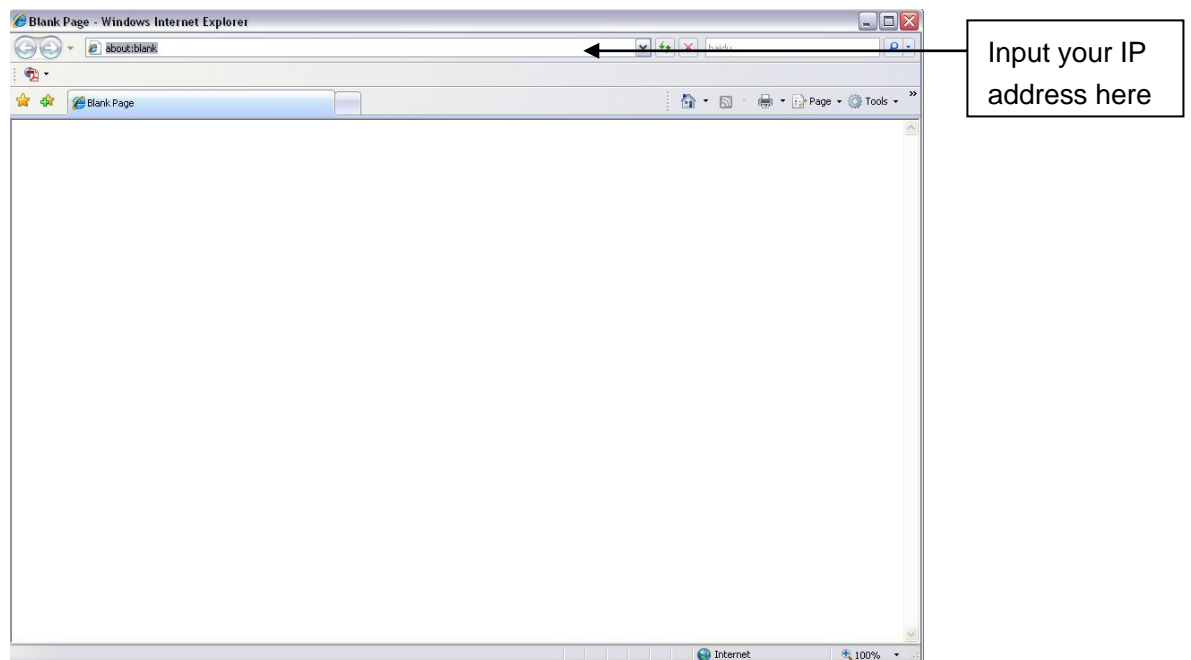


Figure 4- 1

The login interface is shown as below. See Figure 4- 2.

Please input your user name and password.

Default factory name is admin and password is admin.

Note: For security reasons, please modify your password after you first login.



Figure 4- 2

After you successfully logged in, please install WEB plug-in unit. Please refer to the Web Operation Manual included in the resource CD for detailed operation instruction. See Figure 4- 3.

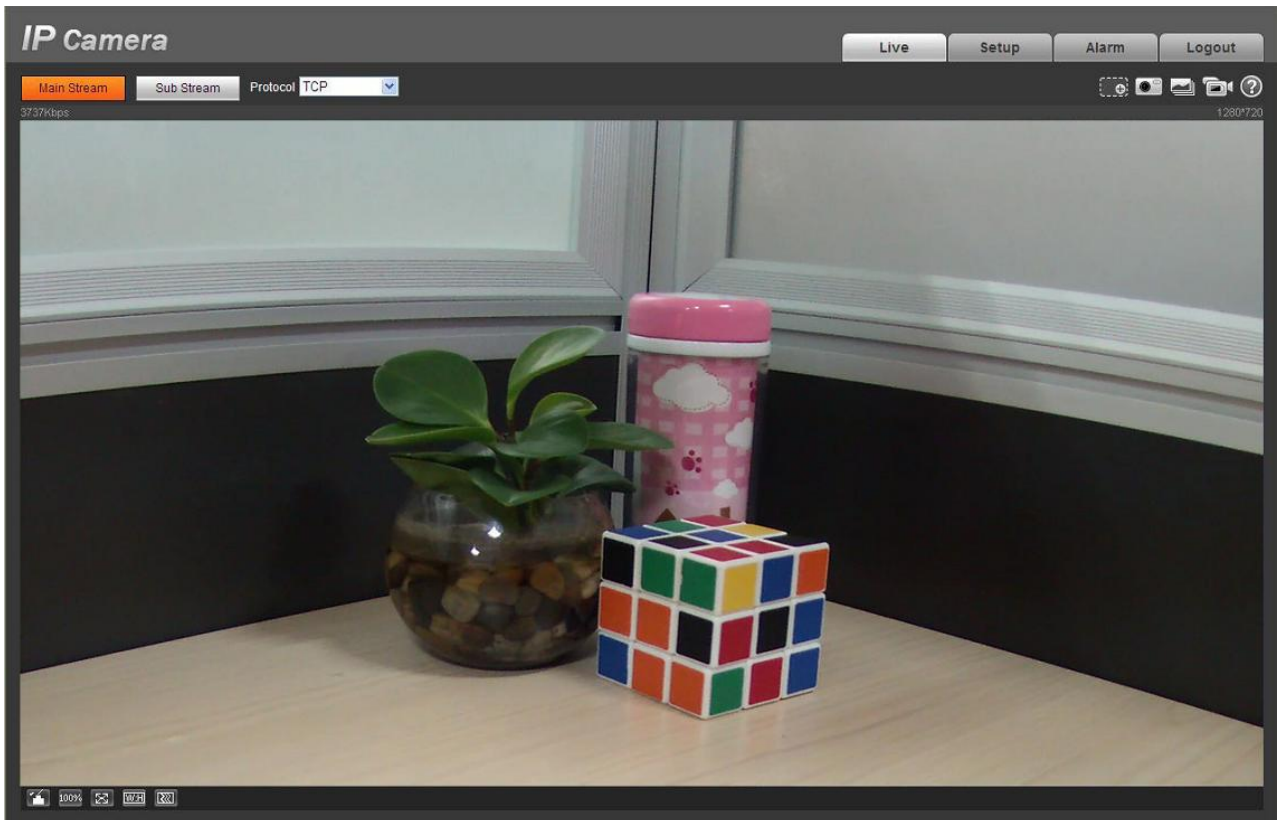


Figure 4- 3

Appendix Toxic or Hazardous Materials or Elements

Component Name	Toxic or Hazardous Materials or Elements					
	Pb	Hg	Cd	Cr VI	PBB	PBDE
Circuit Board Component	○	○	○	○	○	○
Device Construction Material	○	○	○	○	○	○
Wire and Cable	○	○	○	○	○	○
Packing Components	○	○	○	○	○	○
Accessories	○	○	○	○	○	○

O: Indicates that the concentration of the hazardous substance in all homogeneous materials in the parts is below the relevant threshold of the SJ/T11363-2006 standard.

X: Indicates that the concentration of the hazardous substance of at least one of all homogeneous materials in the parts is above the relevant threshold of the SJ/T11363-2006 standard. During the environmental-friendly use period (EFUP) period, the toxic or hazardous substance or elements contained in products will not leak or mutate so that the use of these (substances or elements) will not result in any severe environmental pollution, any bodily injury or damage to any assets. The consumer is not authorized to process such kind of substances or elements, please return to the corresponding local authorities to process according to your local government statutes.

Note:

- **This quick start guide is for reference only. Slight difference may be found in user interface.**
- **All the designs and software here are subject to change without prior written notice.**
- **If there is any uncertainty or controversy, please refer to the final explanation of us.**
- **Please visit our website or contact your local service engineer for more information.**