

HD IR Waterproof Dome Network Camera

Quick Start Guide

Version 1.0.0

Welcome

Thank you for purchasing our Network camera!

This user's manual is designed to be a reference tool for your system.

Please read the following safeguard and warnings carefully before you use this series product!

Please keep this user's manual well for future reference!

Important Safeguards and Warnings

1 . Electrical safety

All installation and operation here should conform to your local electrical safety codes.

Please check if the power supply is correct before operating the device.

The power shall conform to the requirement in the SELV (Safety Extra Low Voltage) and the Limited power source is rated 12V DC, DC5V or AC24V in the IEC60950-1. (Power supply requirement is subject to the device label).

Please install easy-to-use device for power off before installing wiring, which is for emergent power off when necessary.

Please prevent the line cord from being trampled or pressed, especially the plug, power socket and the junction from the device.

Note: Do not connect these two power supplying sources to the device at the same time; it may result in device damage!

We assume no liability or responsibility for all the fires or electrical shock caused by improper handling or installation.

We are not liable for any problems caused by unauthorized modification or attempted repair.

2 . Environment

Please don't aim the device at strong light (such as lighting, sunlight and so on) to focus; otherwise it may cause overexposure (It is not the device malfunction), which will affect the longevity of CCD or CMOS.

Please transport, use and store the device within the range of allowed humidity and temperature.

Please don't keep the device in a place which is wet, dusty, extremely hot, and extremely cold and with strong electromagnetic radiation or unstable lighting.

Please do not allow water and other liquid falling into the camera in case that the internal components are damaged.

Please do not allow rain or damp to the indoor device in case fire or lightning may occur.

Please keep the sound ventilation in case of heat accumulation.

Please pack the device with standard factory packaging or material with same quality when transporting the device.

Heavy stress, violent vibration or water splash are not allowed during transportation, storage and installation.

3. Operation and Daily Maintenance

Please do not touch the heat dissipation component of the device directly in order to avoid scald.

Please do not dismantle the device; there is no component which can be fixed by users themselves in the machine. It may cause water leakage or bad image for the device due to unprofessional dismantling. It is recommended to use the device with thunder proof device in order to improve thunder proof effect. The grounding holes of the product are recommended to be grounded to further enhance the reliability of the camera.

Do not touch the CCD (CMOS) optic component directly. You can use the blower to clean the dust or dirt on the lens surface. Please use a dry cloth wetted by alcohol to wipe away the dust gently if it is necessary to clean.

Always use the dry soft cloth to clean the device. If there is too much dust, please use the water to dilute the mild detergent first and then use it to clean the device. Finally use the dry cloth to clean the device. Don't use volatile solvent like alcohol, benzene, thinner and etc or strong detergent with abrasiveness, otherwise it will damage the surface coating or reduce the working performance of the device.

Dome cover is an optical device, please don't touch or wipe cover surface directly during installation and use, please refer to the following methods to deal with once dirt is found:

Stained with dirt

Use oil-free soft brush or hair dries to remove it gently.

Stained with grease or fingerprint

Use soft cloth to wipe the water drop or oil gently to make it dry, then use oil-free cotton cloth or paper soaked with alcohol or detergent to wipe from the lens center to outward. It is ok to change the cloth and wipe several times if it is not clean enough.

Warning

Please use the standard accessories provided by manufacturer and make sure the device is installed and fixed by professional engineers.

Please prevent the device surface from the radiation of laser beam when using laser beam device.

Please do not provide two or more power supply modes for the device, otherwise it may cause damage to the device.

Statement

Please refer to the actual product for more details; the manual is just for reference.

The manual will be regularly upgraded according to the product update; the upgraded content will be added in the manual without prior announcement.

Please contact the supplier or customer service if there is any problem occurred when using the device.

Please contact the customer service for the latest procedure and supplementary documentation.

There may be deviation between the actual value of some data and the value provided in the manual due to the reasons such as the real environment is not stable and so on. Please refer to the company's final explanation if there is any doubt or dispute.

The company is not liable for any loss caused by the operation which is not followed by the manual.

Note:

Please refer to the disk for more details, check and download corresponding user's manual and tool. Before installation, please open the package and check all the components are included. Contact your local retailer ASAP if something is broken in your package.

Accessory Name	Amount
Network Camera Unit	1
Quick Start Guide	1
Installation Accessories Bag	1
CD	1

Table of Contents

1	Device Structure	1
1.1	Components	1
1.2	Framework and Dimension	2
1.2.1	Framework and Dimension for Metal Dome	2
1.2.2	Framework and Dimension for Plastic Dome	3
2	Device Installation	4
2.1	Installation Steps for Metal Dome	4
2.2	Installation Steps for Plastic Dome	5
3	Network Configuration	6
3.1	Modify IP Address	6
3.2	Login WEB Interface	7

1 Device Structure

1.1 Components

Note:

The following structure figures are just for reference, which are used to know each structure component and the functions of cable ports.

There are differences about structure components and cables for different product models, please refer to the actual object for more details.

You can refer to the following figure for component structure. See Figure 1-1.

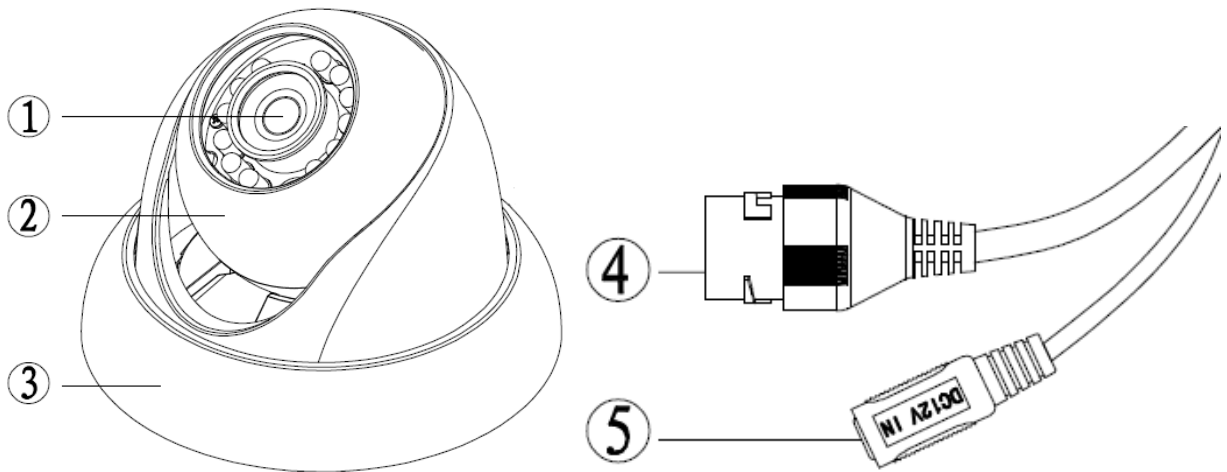


Figure 1-1 Component structure

Please refer to the sheet1-1 for detailed information about components.

Component	Component Name
Component 1	Device lens
Component 2	Dome body
Component 3	Dome enclosure

Sheet 1-1

Please refer to the Sheet 1-2 for detailed information about cable ports.

SN	Port	Port Name	Connector	Function Description
4	LAN	Internet access port	Ethernet port	Connect to standard Ethernet cable Note: Some devices do not support PoE power supply.
5	DC12V	12V direct current	-	Connect to DC 12V power, input power.

Sheet 1-2

1.2 Framework and Dimension

1.2.1 Framework and Dimension for Metal Dome

Please refer to the Figure1-2 and Figure 1-3 for dimension information. The unit is mm.

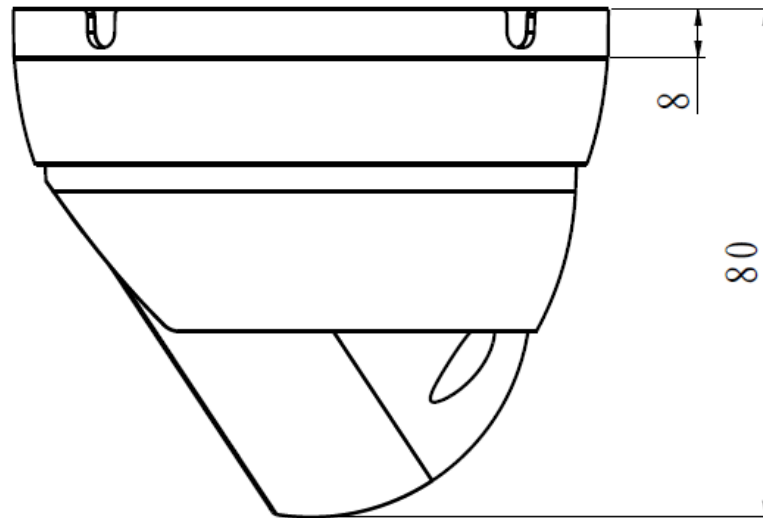


Figure 1-2

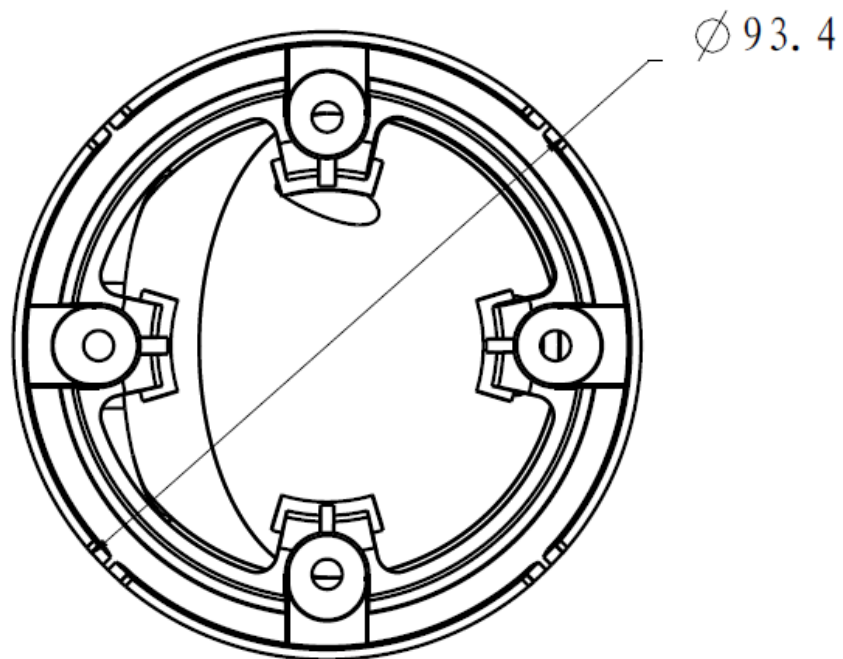


Figure 1-3

1.2.2 Framework and Dimension for Plastic Dome

Please refer to the Figure1-4 and Figure1-5 for dimension information. The unit is mm.

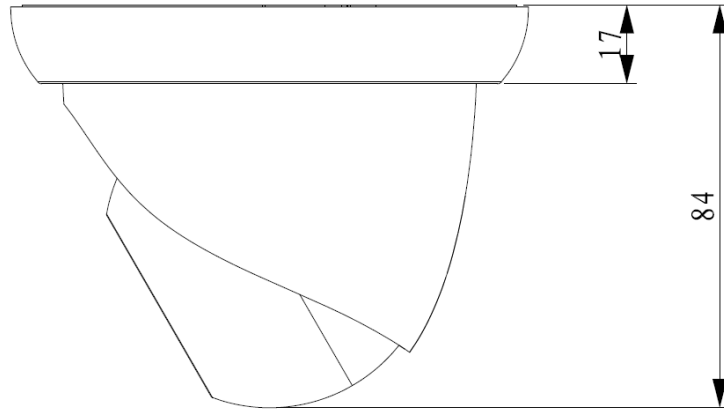


Figure 1-4

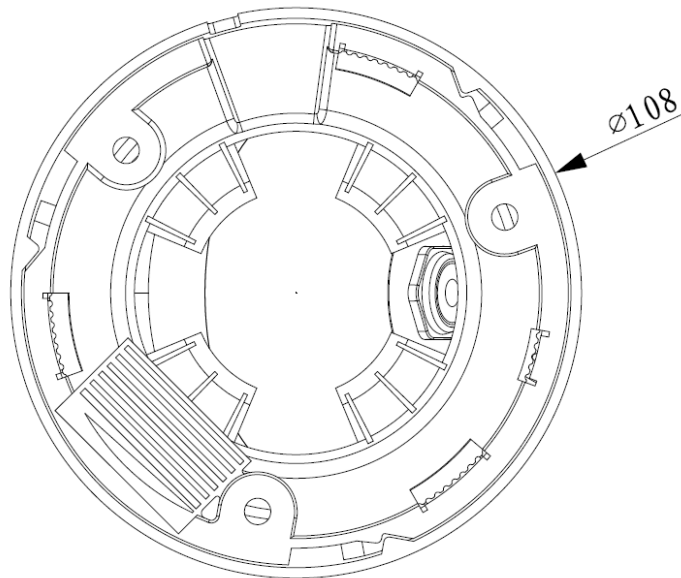


Figure 1-5

2 Device Installation

Important

Before the installation, please make sure the installation environments can at least support 3x weight of the camera.

2.1 Installation Steps for Metal Dome

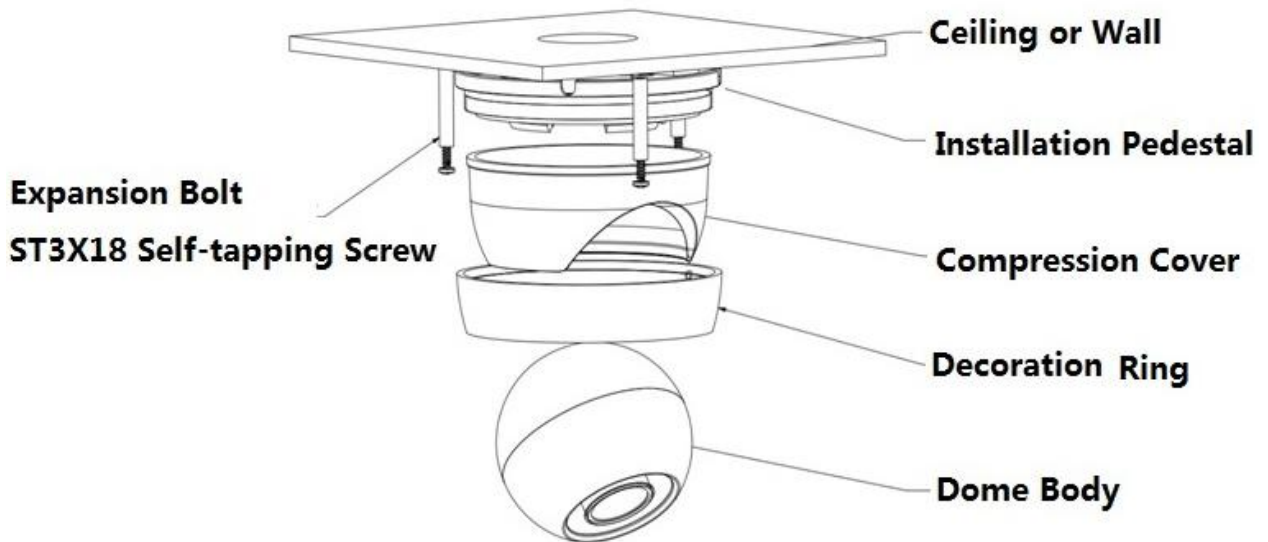


Figure 2-1

Step 1

Turn the decoration ring clockwise out of the button placement and take it out.

Step 2

Take out the installation position map from the accessories bag, and stick it on the ceiling or wall and other installation surface according to the monitoring area. Dig holes on the ceiling or other installation surface according to the hole location of four expansion bolts signed on the position map and then insert four plastic expansion bolts into the holes, secure them firmly. Clients have to pull the cable through the trunking when installing the device.

Step 3

Adjust the device installation pedestal to the proper position and line up the four screw holes in the device pedestal to the four plastic expansion bolt holes, and then put the four self-tapping screws into the four plastic expansion bolts and fix them firmly. Unscrew the decoration ring to adjust monitoring area, adjust the dome lens and aim the location. Fix the decoration ring firmly after adjusting the location.

2.2 Installation Steps for Plastic Dome

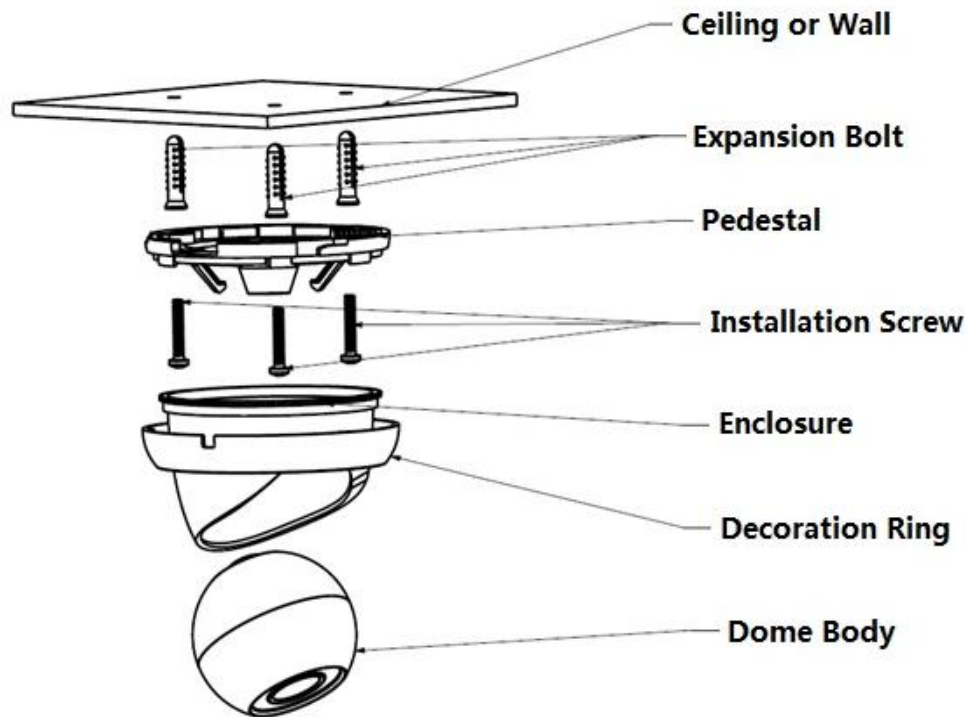


Figure 2-2

Step 1

Turn the decoration ring clockwise out of the button placement and take it out.

Step 2

Take out the installation position map from the accessories bag, and stick it on the ceiling or wall and other installation surface according to the monitoring area. Dig holes on the ceiling or other installation surface according to the hole location of three expansion bolts signed on the position map and then insert three plastic expansion bolts into the holes, secure them firmly. Clients have to pull the cable through the trunking when installing the device.

Step 3

Adjust the device installation pedestal to the proper position and line up the three screw holes in the device pedestal to the three plastic expansion bolt holes, and then put the three self-tapping screws into the three plastic expansion bolts and fix them firmly. Make the enclosure buckle stuck into the pedestal, then adjust the camera to a proper monitoring position via rotating the enclosure and dome.

Step 4

Aim the three spigots at the gap and rotate the decoration ring bottom up clockwise into the pedestal shown in the Figure above, when you hear a “Ca” sound, it is rotated in place.

3 Network Configuration

The IP address of all the cameras is the same when leaving factory (default IP192.168.1.108), in order to make the camera get access to the network smoothly, please plan the useable IP segment reasonably according to the actual network environment.

3.1 Modify IP Address

IP address can be acquired and modified through quick configuration tool for the cameras which are accessed via wired network, it needs to connect wired network to configure wireless parameters before using wireless network cameras. In this chapter, it will introduce the approach of modifying IP address via “Quick Configuration Tool”; also you can modify the IP address in the network parameters of the WEB interface, please refer to the document in the disk << WEB Operation Manual>> for more details.

Note:

Currently the quick configuration tool only supports the cameras which apply to the same network segment with computer IP address.

Step 1 Double click the “ConfigTools.exe” and open the quick configuration tool.

Step 2 Double click the device to be configured, the system will pop out the “Login” dialog box. Enter the IP address, user name, password and port number of the camera, and click “Confirm”.

Note:

The default user name and password are admin and admin respectively, the default of port is 37777. See Figure 3-1 for more details.

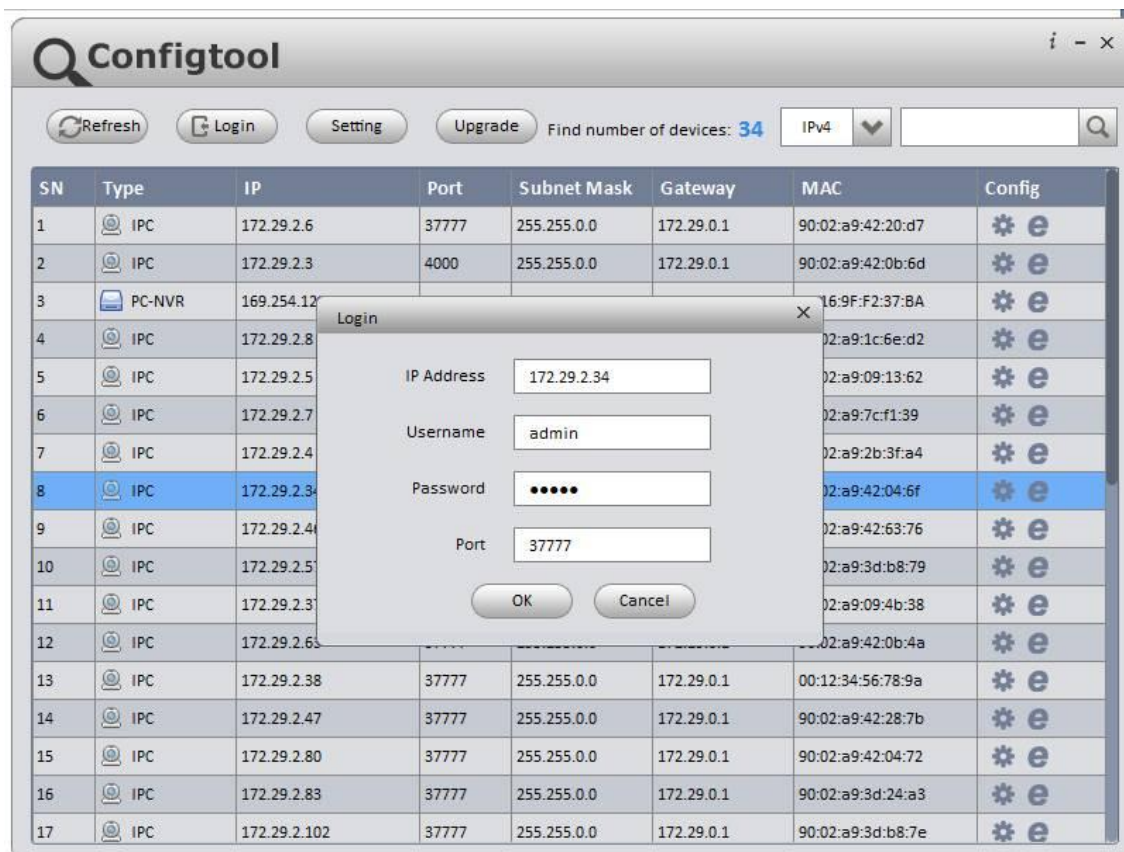


Figure 3-1

Step 3 Modify the camera IP address on the “Net” interface, click “Save” to finish modification.

See Figure 3-2 for more details.

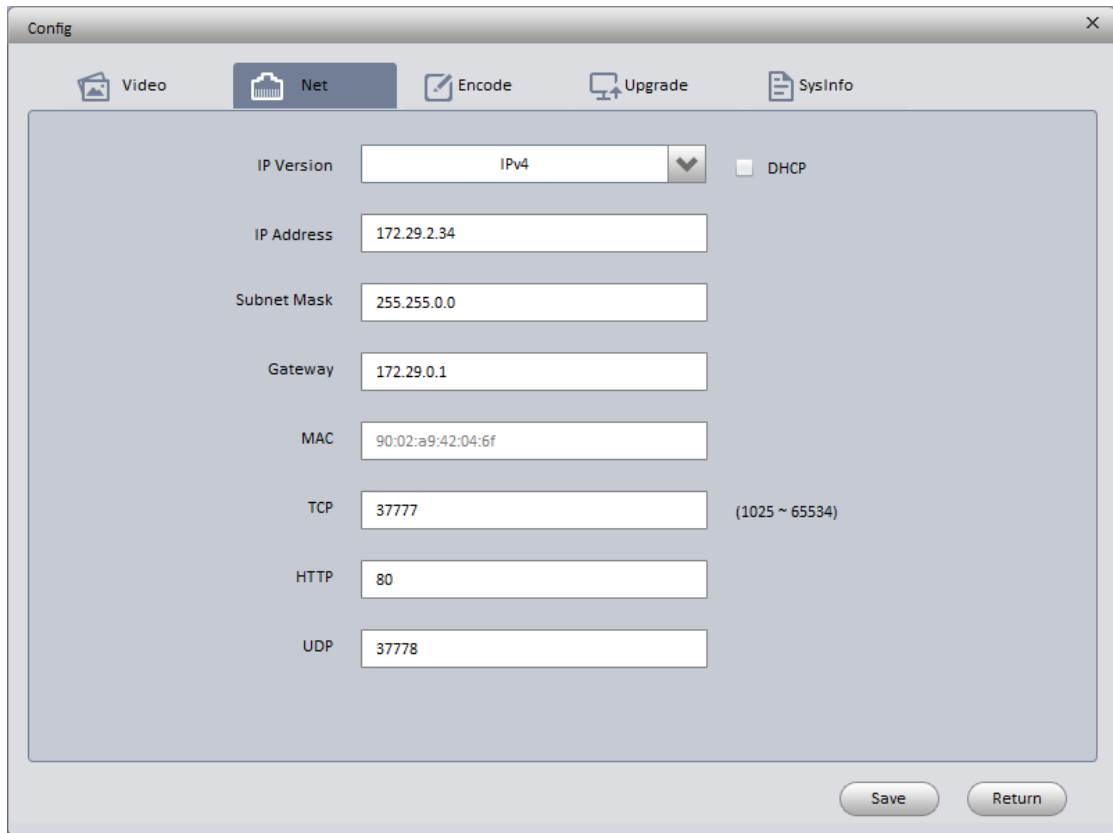


Figure 3-2

3.2 Login WEB Interface

Note:

Different devices may have different WEB interfaces, the figures below are just for reference, please refer to the document <<WEB Operation Manual>> in the disk and the actual interface for more details

Step 1 Open IE and input the modified camera IP address in the address bar.

Step 2 The login interface is shown below, please input your user name and password (Default user name is admin and password is admin respectively), click “login”.

See Figure 3-3 for more details.



Figure 3-3

Step 3 Install controls according to the system prompt; see Figure 3-4 for the WEB main interface. Please modify the administrator password as soon as possible after you successfully logged in.

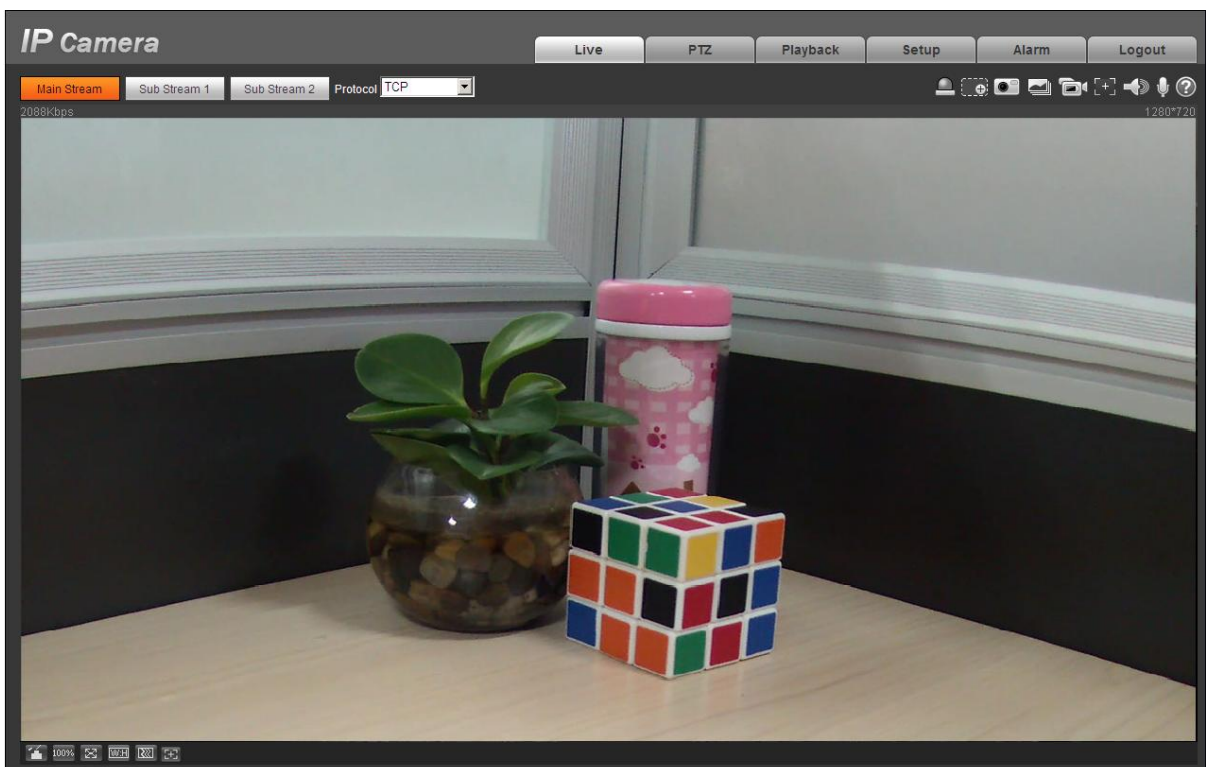


Figure 3-4

Note

- **This user's manual is for reference only. Slight difference may be found in user interface.**
- **All the designs and software here are subject to change without prior written notice.**
- **All trademarks and registered trademarks mentioned are the properties of their respective owners.**
- **If there is any uncertainty or controversy, please refer to the final explanation of us.**
- **Please visit our website for more information.**