

HD IR Vandal Proof Network Dome Camera

Quick Start Guide

Welcome

Thank you for purchasing our network camera!

This quick start guide is designed to be a reference tool for your system.

Please keep this start guide well for future reference.

Please open the accessory bag to check the items one by one in accordance with the list below.

Contact your local retailer ASAP if something is missing or damaged in the bag.

Before your operation please read the following instructions carefully.

1 . Electrical safety

All installation and operation here should conform to your local electrical safety codes.

The power shall conform to the requirement in the SELV (Safety Extra Low Voltage) and the Limited power source is rated 12V or 24V AC DC in the IEC60950-1. (Refer to general introduction)

Please note: Do not connect two power supplying sources to the device at the same time; it may result in device damage! The product must be grounded to reduce the risk of electronic shock.

We assume no liability or responsibility for all the fires or electrical shock caused by improper handling or installation.

We are not liable for any problems caused by unauthorized modification or attempted repair.

2 . Transportation security

Heavy stress, violent vibration or water splash are not allowed during transportation, storage and installation.

3 . Installation

Do not apply power to the camera before completing installation.

Please install the proper power cut-off device during the installation connection.

Always follow the instruction guide the manufacturer recommended.

4 . Qualified engineers needed

All the examination and repair work should be done by the qualified service engineers.

We are not liable for any problems caused by unauthorized modifications or attempted repair.

5 . Environment

This series network camera should be installed in a cool, dry place away from direct sunlight, inflammable, explosive substances and etc.

Please keep it away from the electromagnetic radiation object and environment.

Please make sure the CCD (CMOS) component is out of the radiation of the laser beam device.

Otherwise it may result in CCD (CMOS) optical component damage.

Please keep the sound ventilation.

Do not allow the water and other liquid falling into the camera.

Thunder-proof device is recommended to be adopted to better prevent thunder.

The grounding studs of the product are recommended to be grounded to further enhance the reliability of the camera.

6. Daily Maintenance

Please shut down the device and then unplug the power cable before you begin daily maintenance work.

Do not touch the CCD (CMOS) optic component. You can use the blower to clean the dust on the lens surface.

Always use the dry soft cloth to clean the device. If there is too much dust, please use the water to dilute the mild detergent first and then use it to clean the device. Finally use the dry cloth to clean the device.

Please put the dustproof cap to protect the CCD (CMOS) component when you do not use the camera. Dome enclosure is the optical component, do not touch the enclosure when you are installing the device or clean the enclosure when you are doing maintenance work. Please use professional optical clean method to clean the enclosure. Improper enclosure clean method (such as use cloth) may result in poor IR effect of camera with IR function.

7. Accessories

Be sure to use all the accessories recommended by manufacturer.

Before installation, please open the package and check all the components are included.

Contact your local retailer ASAP if something is broken in your package.

Accessory Name	Amount
Network Camera Unit	1
Quick Start Guide	1
Installation Accessories Bag	1
CD	1

Table of Contents

1	Structure	1
1.1	Components.....	1
1.2	Framework and Dimension	2
1.3	Alarm Setup	3
2	Device Installation.....	5
2.1	Installation Steps.....	5
2.2	Micro SD Card Installation	7
3	Quick Configuration Tool	8
3.1	Overview	8
3.2	Operation	8
4	Web Operation	10
4.1	Network Connection.....	10
4.2	Login and Main Interface.....	10
	Appendix Toxic or Hazardous Materials or Elements	12

1 Structure

1.1 Components

Note:

There are differences about wire structure for some product models, please refer to the actual object for more details.

You can refer to the following figure for component structure. See Figure 1-1.

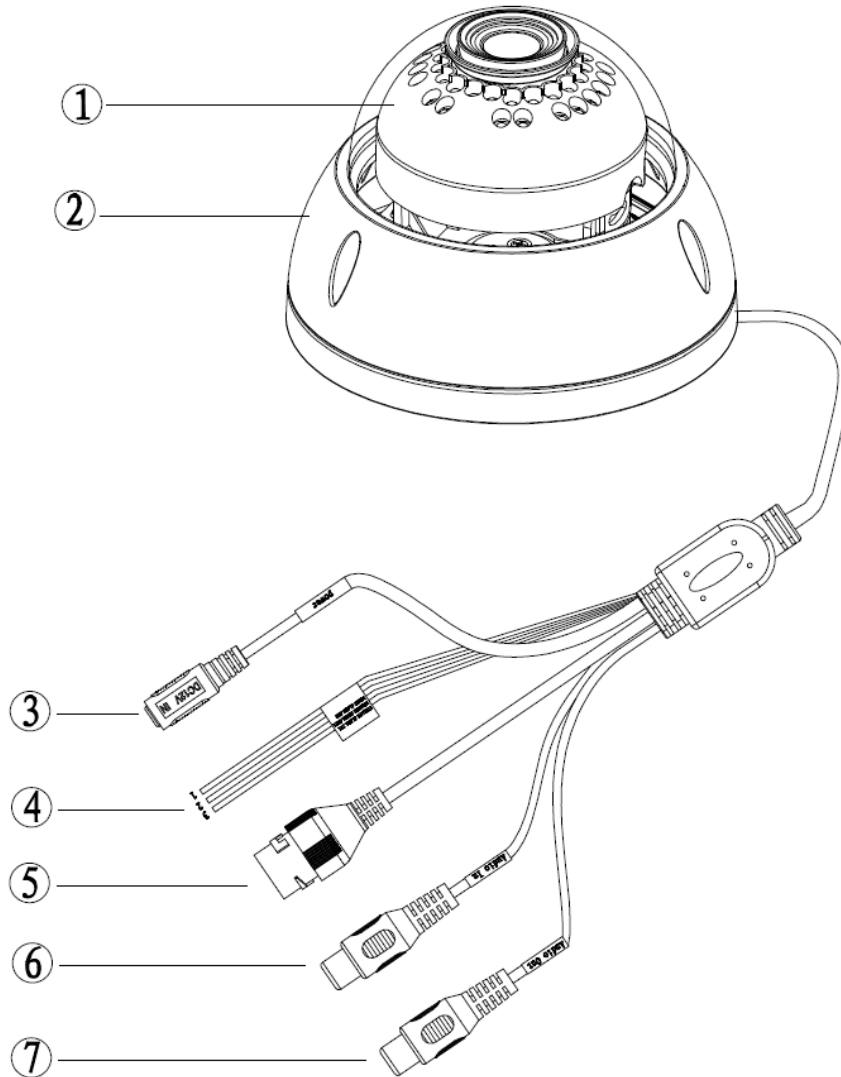


Figure 1-1 Component structure

Please refer to the following sheet for detailed information.

Component	Component Name
Component 1	Dome body
Component 2	Dome enclosure

Port	Port Name	Note
Port 3	Power input port	Connect to DC 12V power, input power.
Port 4	I/O port	Alarm signal input/output (optional, supported by some product models)
Port 5	Internet access port	Network data in/out and PoE. Note: <ul style="list-style-type: none"> ● Some devices do not support PoE. ● Before making crystal head, pull the anti-dust, waterproof cover through network cable.
Port 6	Audio input port	Input audio signal, receive analog audio signal from sound pick-up.etc(optional, supported by some product models)
Port 7	Audio output port	Output audio signal to speakers.etc (optional, supported by some product models.)

Please refer to the following sheet for detailed information about I/O port.

Port Name	Port Sequence	Port name	Function Description
I/O Port	1	ALARM_IN1	Alarm input port, receive on-off signal of external alarm source.
	2	ALARM_OUT1	Alarm output port, output alarm signal to alarm device.
	3	ALARM_GND	Connect ground

1.2 Framework and Dimension

Please refer to the following two figures for dimension information. The unit is mm. See Figure1-2

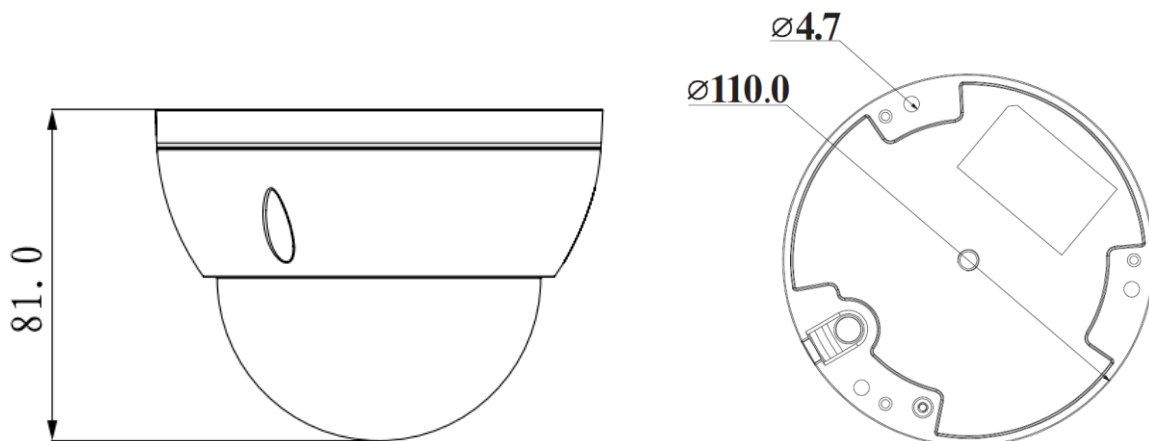


Figure1-2

1.3 Alarm Setup

Note:

Only supported by some series products.

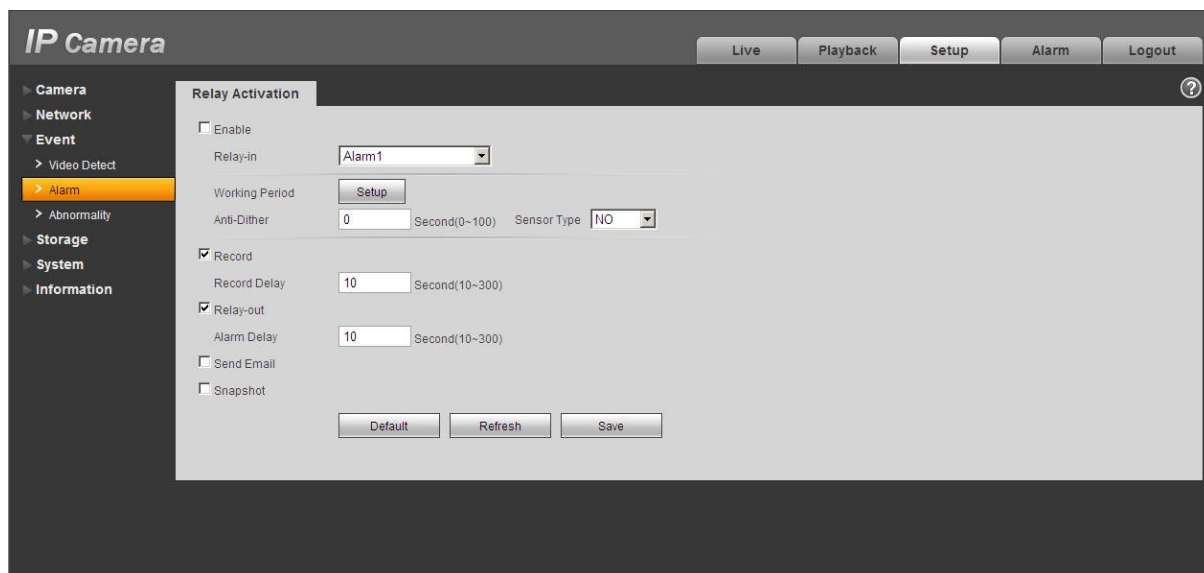


Figure1-3

Alarm input, output description:

- Step 1 Connect alarm input device to the alarm input of I/O cable.
- Step 2 Connect alarm output device to the alarm output of I/O cable, alarm output is collector open circuit output which connects 10K resistor to 3.3V externally.
- Step 3 Open the Web, set alarm input and output correspondingly. Alarm input on WEB corresponds to I/O cable on device. When there is alarm, alarm input device will generate signal of high and low level. Set corresponding NO and NC inputs.
- Step 4 Set the WEB alarm output. The alarm output is for the alarm output port of the device. It is the alarm output port of the I/O cable.

Please refer to the following figure for alarm input information. See Figure 1-4.

Alarm input: When the input signal is idle or grounded, the device can collect the different statuses of the alarm input port. When the input signal is connected to 3.3V or idle, the device collects the logic "1". When the input signal is grounded, the device collects the logic "0".

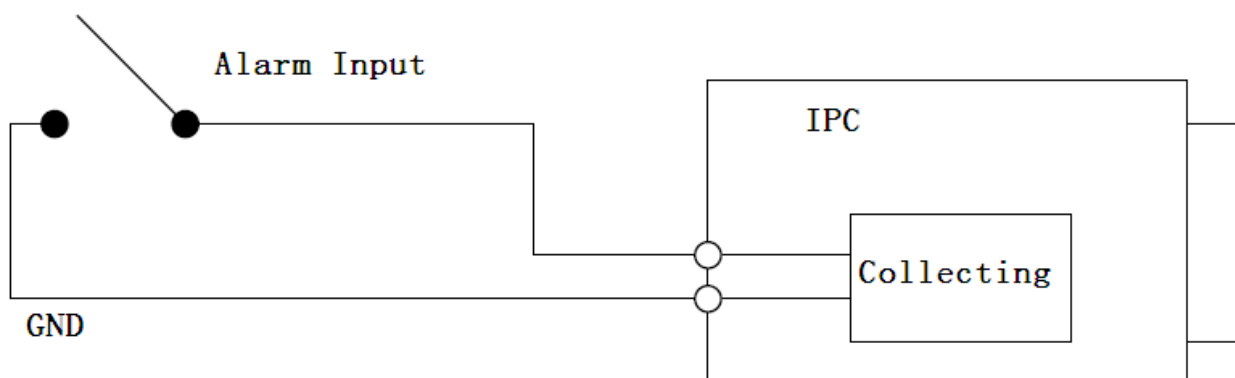


Figure 1-4

Please refer to the following figure for alarm output information. See Figure 1-5

Alarm output: Alarm output is OC door, requiring increase of external pull-up resistor. Output signal is high and low levels. After pull-up resistor is increased, output signal is high level by default. When there is alarm output, output signal becomes low level.

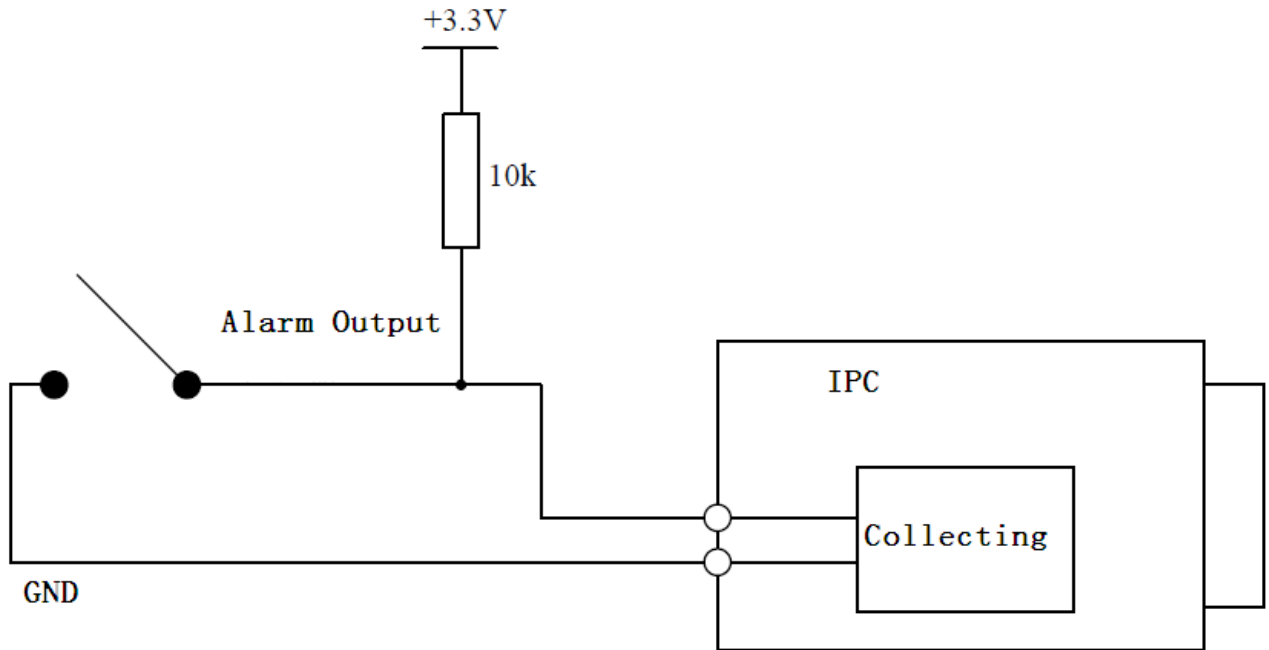


Figure 1-5

2 Device Installation

2.1 Installation Steps

Important

Before the installation, please make sure the installation environments can at least support 3x weight of the camera.

Please follow the steps listed below to install the device. Please refer to Figure 2-1 for reference.

Step 1

Use inner hex wrench in the accessories bag to open dome enclosure by unfastening three inner hex screws on enclosure.

Step 2

Please take the installation position map in the accessories bag, and then paste it on the ceiling or the wall according to your monitor area requirements.

Step 3

Find cross signs on the map, and dig three plastic expansion bolts holes in the installation surface and then insert three expansion bolts in the holes. Secure these three bolts firmly.

Note:

- If use pulls out cable from top of installation surface, you must dig a exit hole on installation surface according to the installation position map.
- If user pulls out cable from side of cable channel, it must go through the U-shape channel on dome pedestal, and take out cable from the side exit hole on pedestal.

Step 4

Adjust the device installation pedestal to the proper position and then pull cable through the exit hole on Installation surface. Make direction of TOP sign same as it on installation position map. Line up the three screw holes in the device pedestal to the three plastic expansion bolt holes in the installation position. Put the three self-tapping screws in the three plastic expansion bolts firmly. Fix dome body on installation surface.

Step 5

Hold bottom of bracket with hand, horizontally rotate bracket, adjusting lens direction to designated position. Loosen one M2 screw on LED decoration cover (loosen only, do not take it down), hold the decoration cover with hand, making lens rotate vertically. Adjust vertical direction of lens to appropriate angle, and fasten the M2 screw. Range of lens: vertical ($0^{\circ} \sim +65^{\circ}$), horizontal ($0^{\circ} \sim +355^{\circ}$). See Figure 2-2.

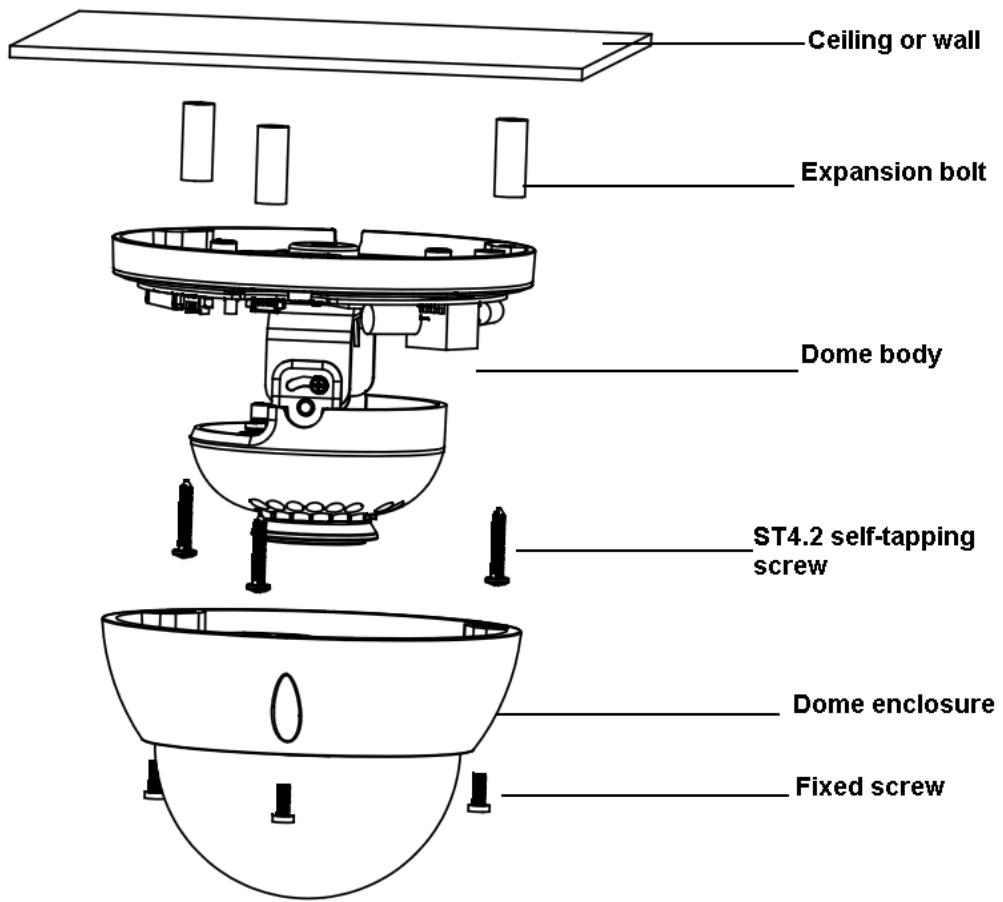


Figure 2-1 Device installation illustration 1

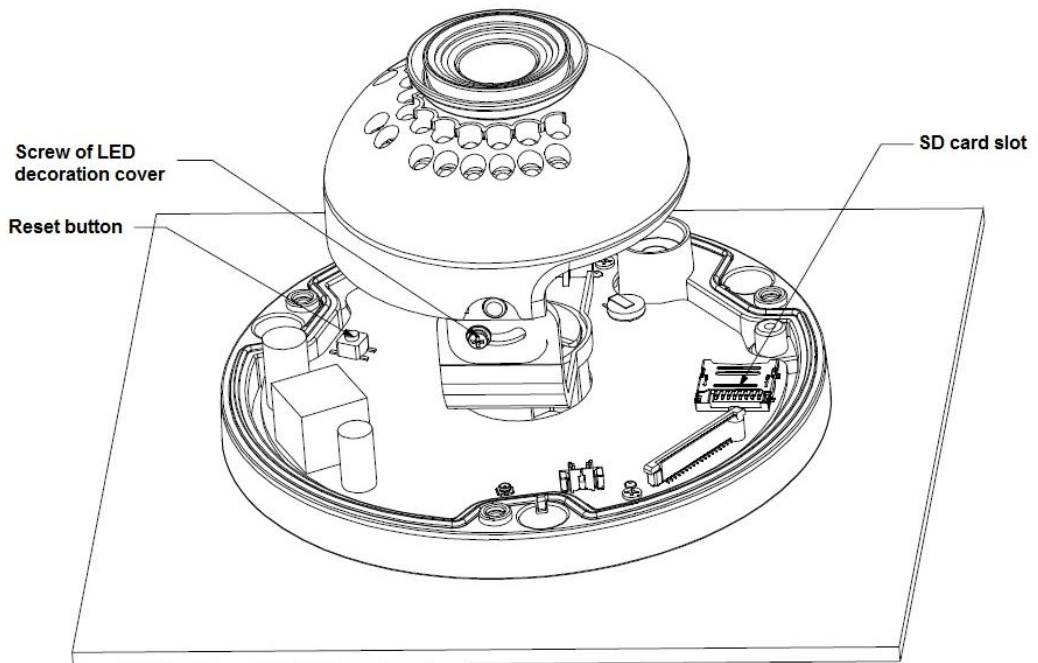


Figure 2-2 Device installation illustration 2

Note:

When you need to reset the device, press the “Reset” button in Figure 2-2 for 10 seconds while connecting device to power.

When you need to use WPS function, press the “Reset” button in Figure 2-2 for 1 to 2 seconds while connecting device to power, then press WPS button on the router. Generally the device can be connected to corresponding router within 1 minute (supported by some series products).

Step 6

Take dome enclosure, put it back on the camera properly regarding to screw and hole, and fasten the three inner hex screws with wrench.

2.2 Micro SD Card Installation

Note:

Some series products do not support the Micro SD card storage function. Please shut down the power and then turn off the device before you install the Micro SD card.

Step 1 Find the Micro SD Card slot in figure 2-2, open the Micro SD Card slot according to the direction in figure 2-3.

Step 2 Adjust the Micro SD Card to proper direction and install it in the Micro SD card slot.

Step 3 According to the direction in figure 2-4, close the Micro SD card slot and keep it locked.

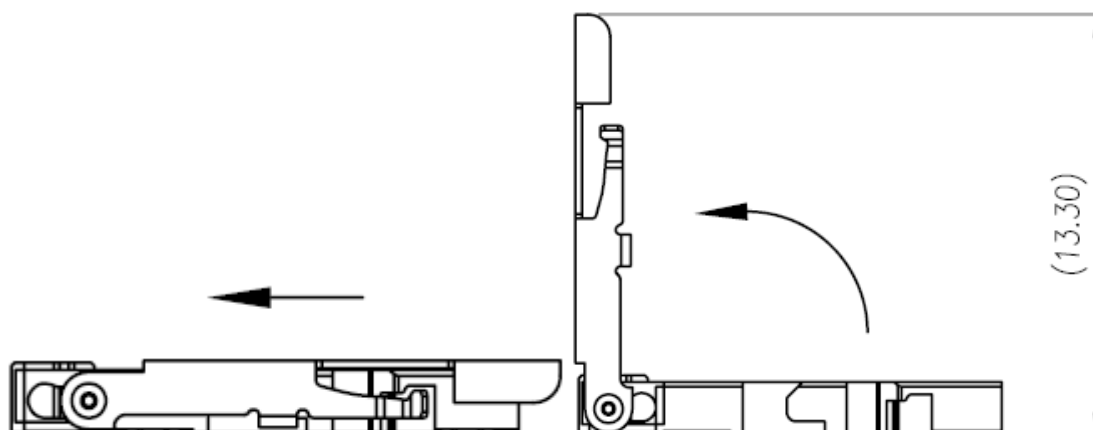


Figure 2-3 Micro SD Card installation illustration 1

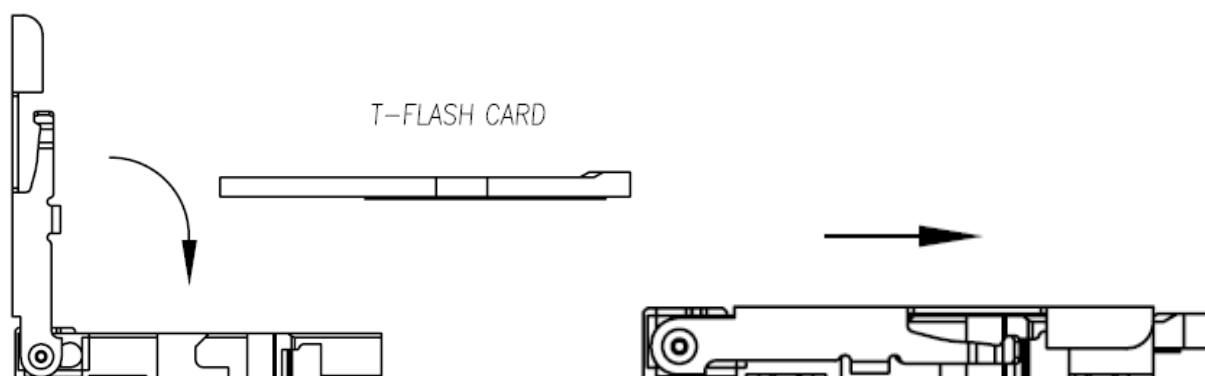


Figure 2-4 Micro SD Card installation illustration 2

3 Quick Configuration Tool

3.1 Overview

Quick configuration tool can search current IP address, modify IP address. At the same time, you can use it to upgrade the device.

Please note the tool only applies to the IP addresses in the same segment.

3.2 Operation

Double click the “ConfigTools.exe” icon, you can see an interface, in the device list interface, you can view device IP address, port number, subnet mask, default gateway, MAC address and etc.

Select one IP address and then right click mouse, you can see an interface is shown as in Figure 3-1. Select the “Open Device Web” item; you can go to the corresponding web login interface.

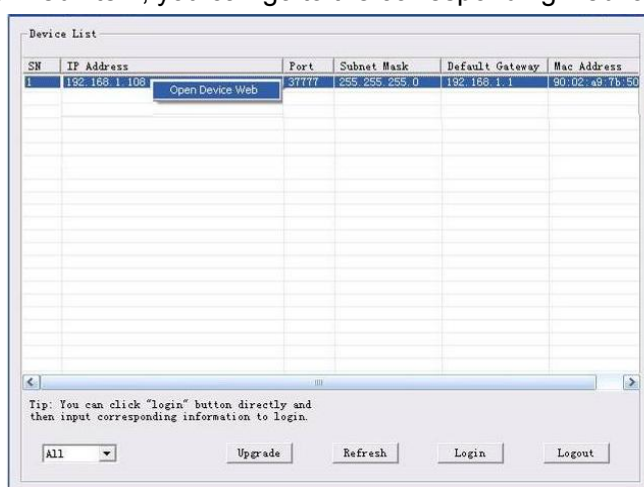


Figure 3-1 Search interface

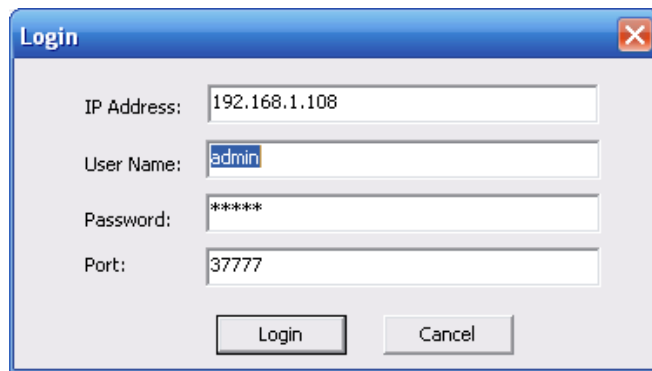
If you want to modify the device IP address without logging in the device web interface, you can go to the configuration tool main interface to set.

In the configuration tool search interface, please select a device IP address and then double click it to open the login interface. Or you can select an IP address and then click the Login button to go to the login interface. See Figure 3-2.

In Figure 3-2, you can view device IP address, user name, password and port. Please modify the corresponding information to login.

Please note the port information here shall be identical with the port value you set in TCP port in Web Network interface. Otherwise, you cannot login the device.

If you are using device background upgrade port 3800 to login, other setups are all invalid.

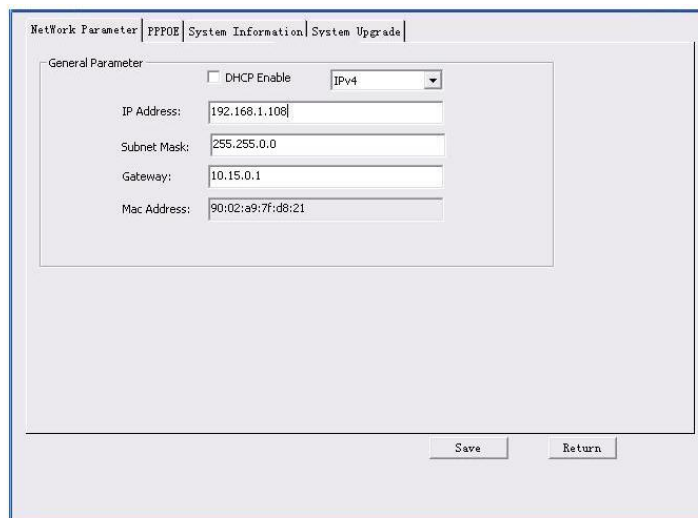
A login dialog box titled "Login" with a close button in the top right corner. It contains four input fields: "IP Address" with the value "192.168.1.108", "User Name" with the value "admin", "Password" with the value "*****", and "Port" with the value "37777". At the bottom, there are two buttons: "Login" and "Cancel".

IP Address:	192.168.1.108
User Name:	admin
Password:	*****
Port:	37777

Buttons: Login, Cancel

Figure 3-2 Login prompt

After you logged in, the configuration tool main interface is shown as below. See Figure 3-3.

The main configuration interface of the tool. It has a tabbed menu at the top with "Network Parameter", "PPPOE", "System Information", and "System Upgrade". The "Network Parameter" tab is active. Under "General Parameter", there is a checkbox for "DHCP Enable" (unchecked) and a dropdown menu for "IPv4" (selected). Below these are five input fields: "IP Address" (192.168.1.108), "Subnet Mask" (255.255.0.0), "Gateway" (10.15.0.1), and "Mac Address" (90:02:a9:7f:d8:21). At the bottom right, there are "Save" and "Return" buttons.

Network Parameter | PPPOE | System Information | System Upgrade

General Parameter

DHCP Enable IPv4

IP Address: 192.168.1.108

Subnet Mask: 255.255.0.0

Gateway: 10.15.0.1

Mac Address: 90:02:a9:7f:d8:21

Buttons: Save, Return

Figure 3-3 Main interface

For detailed information and operation instruction of the quick configuration tool, please refer to the *Quick Configuration Tool User's Manual* included in the resources CD.

4 Web Operation

This series network camera products support the Web access and management via PC. Web includes several modules: Monitor channel preview, system configuration, alarm and etc.

4.1 Network Connection

Please follow the steps listed below for network connection.

- Make sure the network camera has connected to the network properly.
- Please set the IP address, subnet mask and gateway of the PC and the network camera respectively. Network camera default IP address is 192.168.1.108. Subnet mask is 255.255.255.0. Gateway is 192.168.1.1
- Use order ping `***.***.***.***`(* network camera address) to check connection is OK or not.

4.2 Login and Main Interface

Open IE and input network camera address in the address bar. See Figure 4- 1.

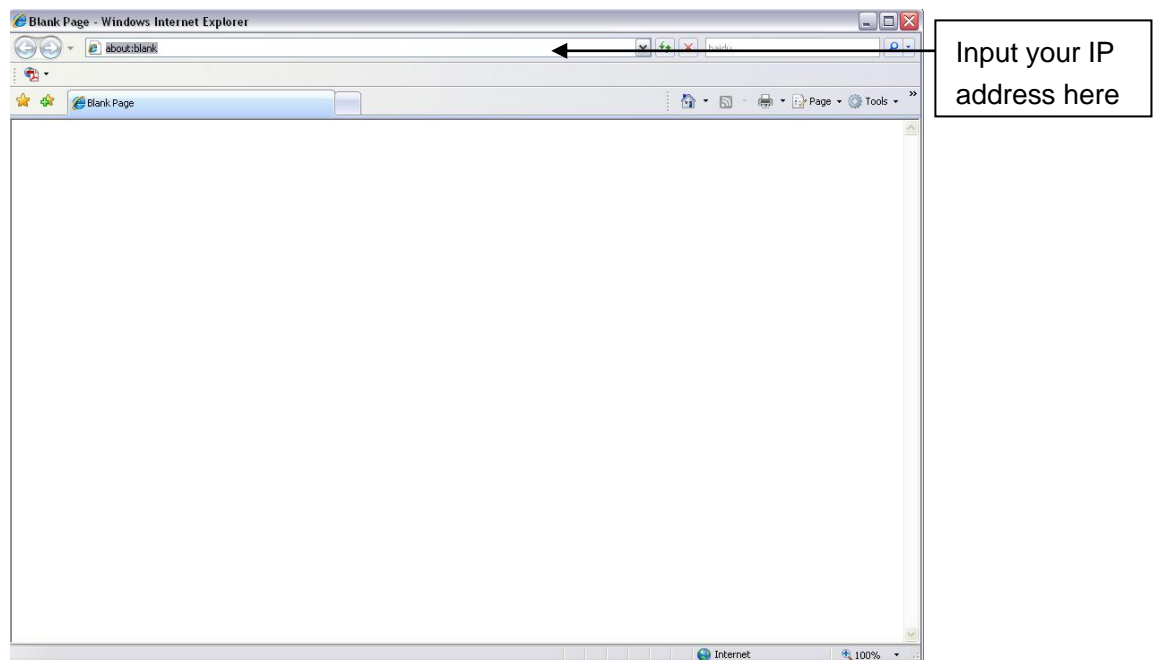


Figure 4- 1 IP address

The login interface is shown as below. See Figure 4- 2.

Please input your user name and password.

Default factory name is admin and password is admin.

Note: For security reasons, please modify your password after you first login.



Figure 4- 2 Web login

After you successfully logged in, please install WEB plug-in unit. Please refer to the Web Operation Manual included in the resource CD for detailed operation instruction.

See Figure 4- 3.

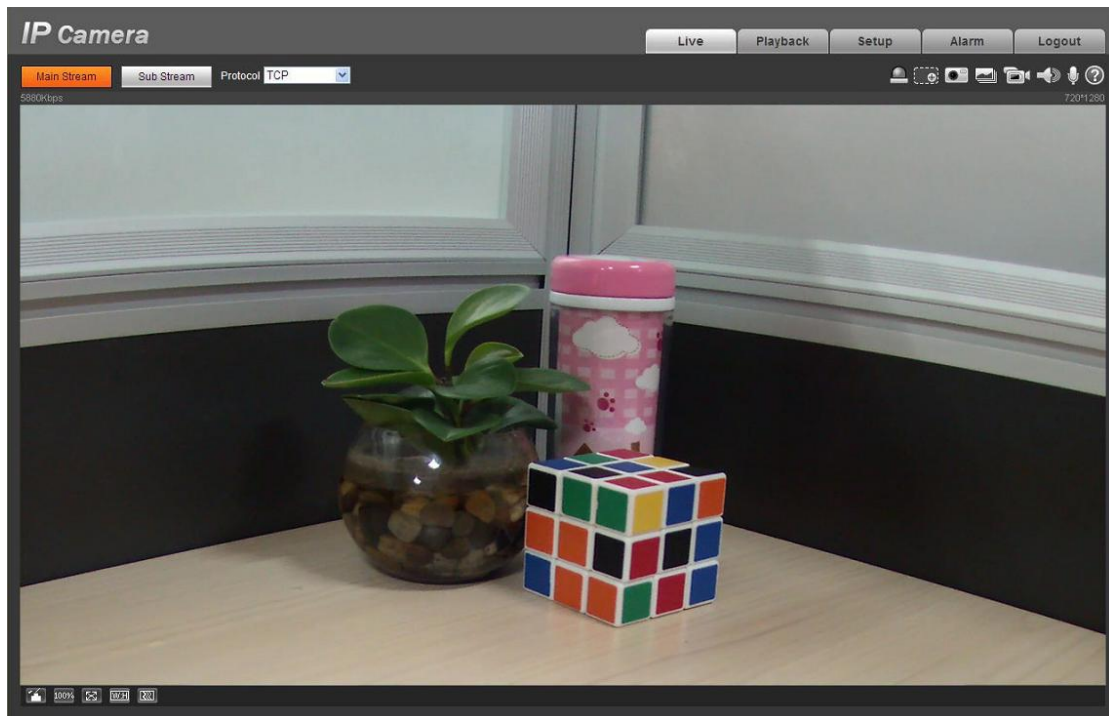


Figure 4- 3 Web monitoring window

Appendix Toxic or Hazardous Materials or Elements

Component Name	Toxic or Hazardous Materials or Elements					
	Pb	Hg	Cd	Cr VI	PBB	PBDE
Circuit Board Component	○	○	○	○	○	○
Device Case	○	○	○	○	○	○
Wire and Cable	○	○	○	○	○	○
Packing Components	○	○	○	○	○	○
Accessories	○	○	○	○	○	○

O: Indicates that the concentration of the hazardous substance in all homogeneous materials in the parts is below the relevant threshold of the SJ/T11363-2006 standard.

X: Indicates that the concentration of the hazardous substance of at least one of all homogeneous materials in the parts is above the relevant threshold of the SJ/T11363-2006 standard. During the environmental-friendly use period (EFUP) period, the toxic or hazardous substance or elements contained in products will not leak or mutate so that the use of these (substances or elements) will not result in any severe environmental pollution, any bodily injury or damage to any assets. The consumer is not authorized to process such kind of substances or elements, please return to the corresponding local authorities to process according to your local government statutes.

Note:

- **This quick start guide is for reference only. Slight difference may be found in user interface.**
- **All the designs and software here are subject to change without prior written notice.**
- **All trademarks and registered trademarks mentioned are the properties of their respective owners.**
- **If there is any uncertainty or controversy, please refer to the final explanation of us.**
- **Please visit our website or contact your local service engineer for more information.**