

HD (IR) Network Dome Camera Quick Start Guide

Version 1.0.1

Welcome

Thank you for purchasing our network camera!

This quick start guide is designed to be a reference tool for your system.

Please keep this start guide well for future reference.

Please open the accessory bag to check the items one by one in accordance with the list below.

Contact your local retailer ASAP if something is missing or damaged in the bag.

Before your operation please read the following instructions carefully.

1 . Electrical safety

All installation and operation here should conform to your local electrical safety codes.

The power shall conform to the requirement in the SELV (Safety Extra Low Voltage) and the Limited power source is rated 12V DC or 24V AC in the IEC60950-1. (Refer to general introduction) **Please note: Do not connect two power supplying sources to the device at the same time; it may result in device damage!**

We assume no liability or responsibility for all the fires or electrical shock caused by improper handling or installation.

We are not liable for any problems caused by unauthorized modification or attempted repair.

2 . Transportation security

Heavy stress, violent vibration or water splash are not allowed during transportation, storage and installation.

3 . Installation

Do not apply power to the camera before completing installation.

Please install the proper power cut-off device during the installation connection.

Always follow the instruction guide the manufacturer recommended.

4 . Qualified engineers needed

All the examination and repair work should be done by the qualified service engineers.

We are not liable for any problems caused by unauthorized modifications or attempted repair.

5 . Environment

This series network camera should be installed in a cool, dry place away from direct sunlight, inflammable, explosive substances and etc.

Please keep it away from the electromagnetic radiation object and environment.

Please make sure the CCD (CMOS) component is out of the radiation of the laser beam device.

Otherwise it may result in CCD (CMOS) optical component damage.

Please keep the sound ventilation.

Do not allow the water and other liquid falling into the camera.

Thunder-proof device is recommended to be adopted to better prevent thunder.
The grounding studs of the product are recommended to be grounded to further enhance the reliability of the camera.

6. Daily Maintenance

Please shut down the device and then unplug the power cable before you begin daily maintenance work.

Do not touch the CCD (CMOS) optic component. You can use the blower to clean the dust on the lens surface.

Always use the dry soft cloth to clean the device. If there is too much dust, please use the water to dilute the mild detergent first and then use it to clean the device. Finally use the dry cloth to clean the device.

Please put the dustproof cap to protect the CCD (CMOS) component when you do not use the camera. Dome enclosure is the optical component, do not touch the enclosure when you are installing the device or clean the enclosure when you are doing maintenance work. Please use professional optical clean method to clean the enclosure. Improper enclosure clean method (such as use cloth) may result in poor IR effect of camera with IR function.

7. Accessories

Be sure to use all the accessories recommended by manufacturer.

Before installation, please open the package and check all the components are included.

Contact your local retailer ASAP if something is broken in your package.

Accessory Name	Amount
Network Camera	1
Quick Start Guide	1
Installation Accessories Bag	1
Installation Position Diagram	1
CD	1

Table of Contents

1	Framework	1
1.1	Framework and Dimension	1
1.2	Port Description.....	2
1.3	Bidirectional talk.....	4
1.3.1	Device-end to PC-end.....	4
1.3.2	PC-end to the Device-end.....	4
1.4	Alarm Setup.....	5
2	Installation	7
2.1	Device Installation Introduction.....	7
2.2	Device Installation Steps	7
2.2.1	General Installation	7
2.2.2	Manual Zoom Lens Focus Operation	11
2.2.3	Side Cable Exit	11
2.2.4	Cable Connection.....	12
2.3	Micro SD Card Installation	12
3	Quick Configuration Tool	14
3.1	Overview	14
3.2	Operation	14
4	Web Operation.....	16
4.1	Network Connection.....	16
4.2	Login and Main Interface.....	16
	Appendix Toxic or Hazardous Materials or Elements.....	19

1 Framework

1.1 Framework and Dimension

You can refer to the following figures for dimension information. The Unit is mm. See Figure 1- 1 (vandal-proof series), Figure 1- 2 (vandal-proof series), Figure 1- 3 (non vandal-proof series) and Figure 1- 4 (non vandal-proof series).

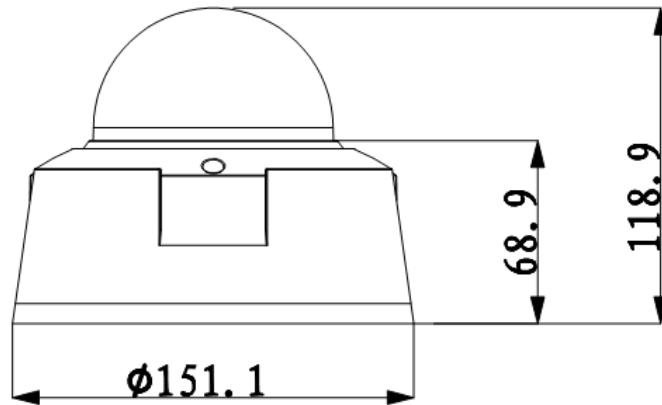


Figure 1- 1 Dimension illustration 1

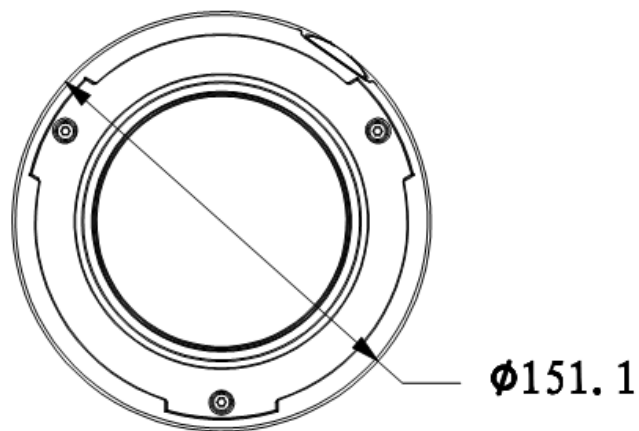


Figure 1- 2 Dimension illustration 2

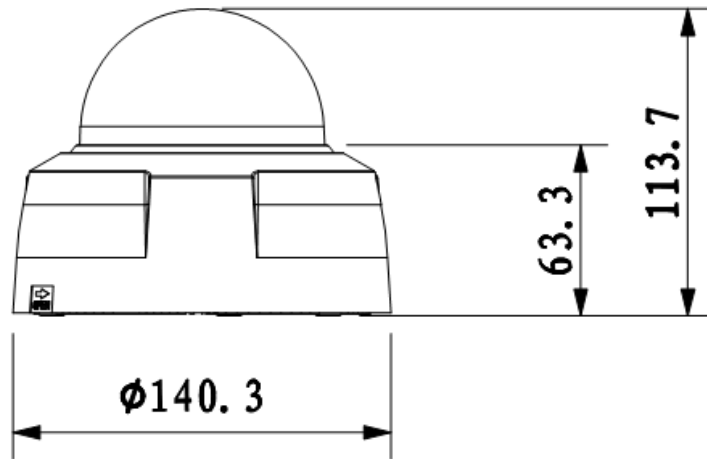


Figure 1- 3 Dimension illustration 3

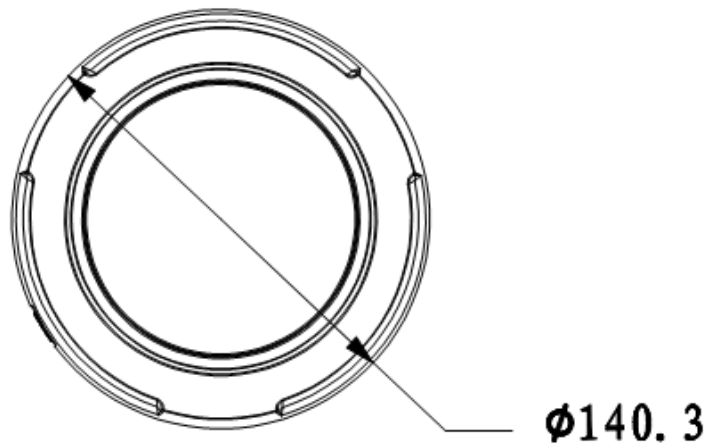


Figure 1- 4 Dimension illustration 4

1.2 Port Description

The port is shown as in Figure 1- 5 and Figure 1- 6.

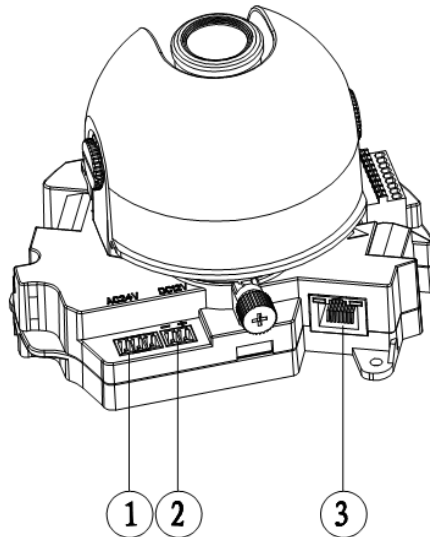


Figure 1- 5 Port 1

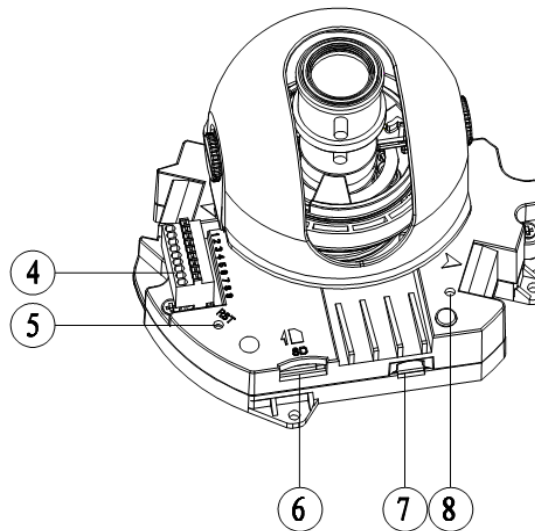


Figure 1- 6 Port 2

Please refer to the following sheet for external connection port definition information.

SN	Port	Port Name	Connector	Function Description
1	POWER	AC 24V power port	/	Connect to AC 24V power. Only IR series support AC 24V.
2	POWER	DC 12V power port	/	Connect to DC 12V power.
3	LAN	RJ45 network port	Ethernet port	Network cable port.
4	I/O	I/O port	/	It includes alarm input/output, audio and analog output.
5	RESET	Reset button	/	Reset button. It is to restore factory default setup.
6	Micro-SD	Micro SD card slot entry	Micro card SD	Connect to Micro SD card to realize local storage.

7	Fan port	/	/	Connect to fan to reduce device internal problem. Please note this component is optional.
8	Status indicator light	/	/	Display device status

Please refer to the following sheet for I/O port cable function information.

Port Name	Cable SN	Cable Port Name	Function Description
I/O Port	1	ALARM_NO	Alarm output port. Output alarm signal to alarm device. NO: Normal open alarm output end.
	2	ALARM_COM	Alarm output public end.
	3	GND	Ground end.
	4	ALARM_IN	Alarm input port. It is to receive the on-off signal from the external alarm source.
	5	GND	Ground end.
	6	AUDIO_IN	Input audio signal. It is to receive the analog audio signal from the devices such as pickup.
	7	AUDIO_OUT	Output audio signal to devices such as loud speaker.
	8	GND	Ground end.
	9	VIDEO_OUT	Output analog video signal. It can connect to TV monitor to view video.

Note: The external connection port above is based on non-IR series which is identical with the external connection port of IR series.

1.3 Bidirectional talk

1.3.1 Device-end to PC-end

Device Connection

Please connect the speaker or the MIC to the audio input port of the device. Then connect the earphone to the audio output port of the PC.

Login the Web and then click the Talk button to enable the bidirectional talk function.

You can see the button becomes orange after you enabled the bidirectional talk function.

Click Talk button again to stop the bidirectional talk function.

Listening Operation

At the device end, speak via the speaker or the pickup, and then you can get the audio from the earphone or sound box at the pc-end.

1.3.2 PC-end to the Device-end

Device Connection

Connect the speaker or the MIC to the audio input port of the PC and then connect the earphone to the audio output port of the device.

Login the Web and then click the Talk button to enable the bidirectional talk function.

You can see the button becomes orange after you enabled the audio talk function.

Click Talk button again to stop the bidirectional talk function.

Please note the on-site listening operation is null during the bidirectional talk process.

Listening Operation

At the PC-end, speak via the speaker or the pickup, and then you can get the audio from the earphone or sound box at the device-end.

1.4 Alarm Setup

The alarm interface is shown as in Figure 1- 7. Please follow the steps listed below for local alarm input and output connection.

- 1) Connect the alarm input device to the alarm input port (No.1 pin) of the I/O cable.
- 2) Connect the alarm output device to the alarm output port (No.4 pin) and alarm output public port (No.3 pin). The alarm output port supports NO (normal open) alarm device only.
- 3) Open the Web; go to the Figure 1- 7. Please set the alarm input 01 port for the first channel of the I/O cable (No.4 pin). Then you can select the corresponding type (NO/NC.)
- 4) Set the WEB alarm output. The alarm output 01 is for the alarm output port of the device. It is the No.1 pin of the I/O cable.

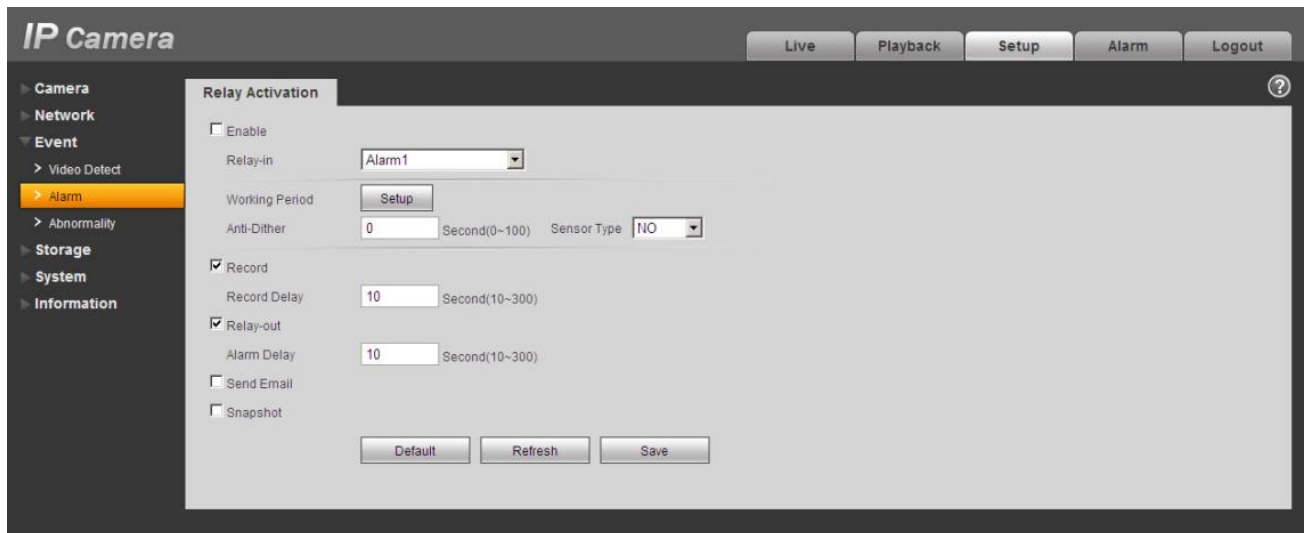


Figure 1- 7 Alarm

Please refer to the following figure for alarm input information. See Figure 1- 8.

Alarm input: When the input signal is idle or grounded, the device can collect the different statuses of the alarm input port. When the input signal is connected to the 3.3V or is idle, the device collects the logic "1". When the input signal is grounded, the device collects the logic "0".

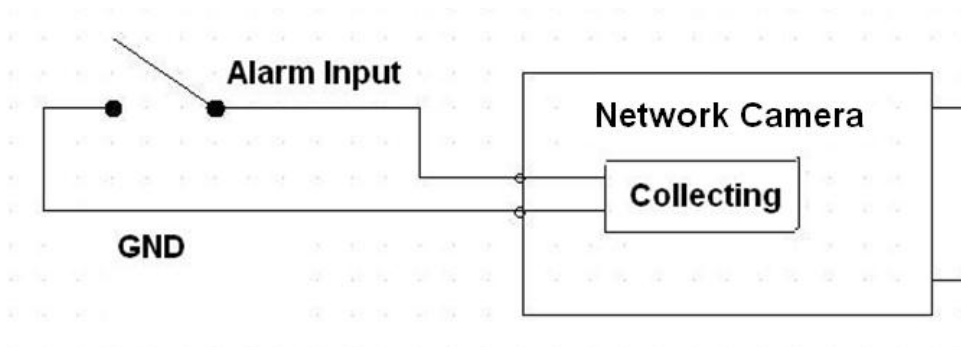


Figure 1- 8 Alarm input

Please refer to the following figure for alarm output information. See Figure 1- 9.
Port ALARM_C and Port ALARM_NO composes an on-off button to provide the alarm output.
If the type is NO, this button is normal open. The button becomes off when there is an alarm output.

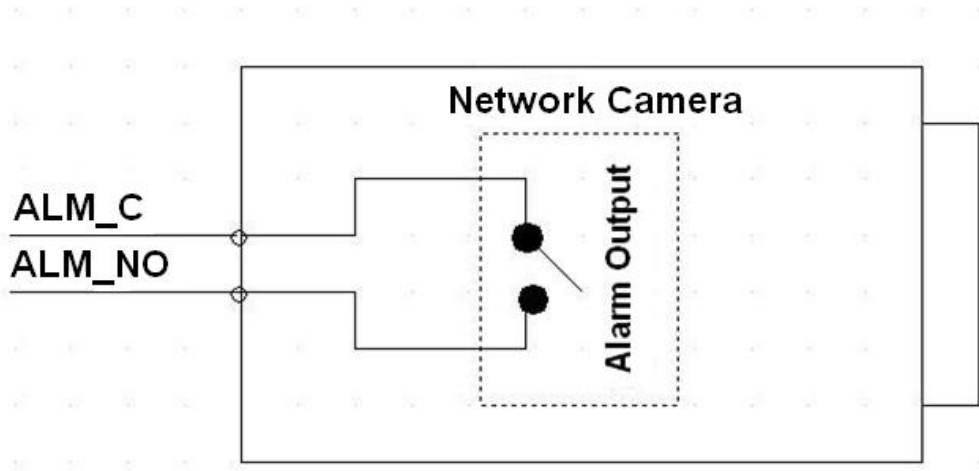


Figure 1- 9 Alarm output

2 Installation

Important

- Before you complete the installation and setup, do not remove the electrostatic attraction film on the transparent enclosure. Otherwise it may result in injury.
- After remove electrostatic attraction film, do not touch dome enclosure in case it may leave stain.
- Before the installation, please make sure the installation surface can sustain at least 3X weight of the bracket and the camera.

2.1 Device Installation Introduction

Please refer to Figure 2- 1 (vandal-proof series) and Figure 2- 2 (non vandal-proof series) for device installation space information. You can see there are installation position diagram and installation screws in the accessories bag for you to install the device conveniently.

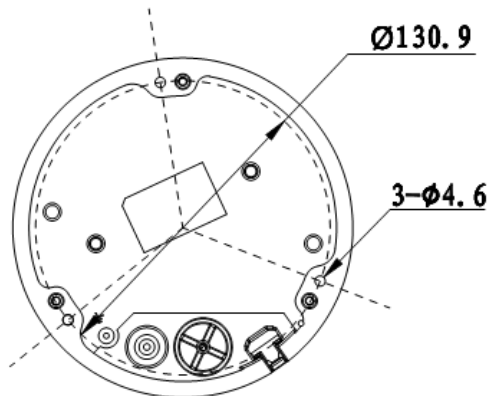


Figure 2- 1 Device installation 1

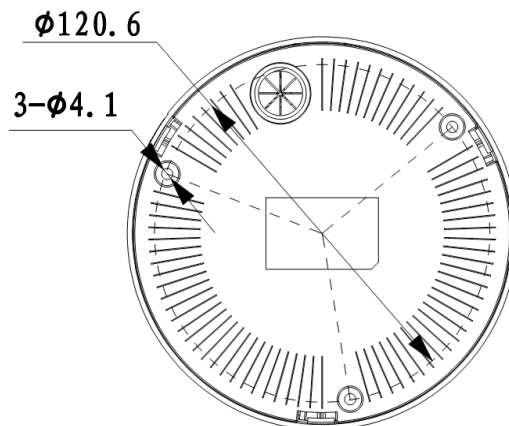


Figure 2- 2 Device installation 2

2.2 Device Installation Steps

2.2.1 General Installation

The general interface is shown as in Figure 2- 3.

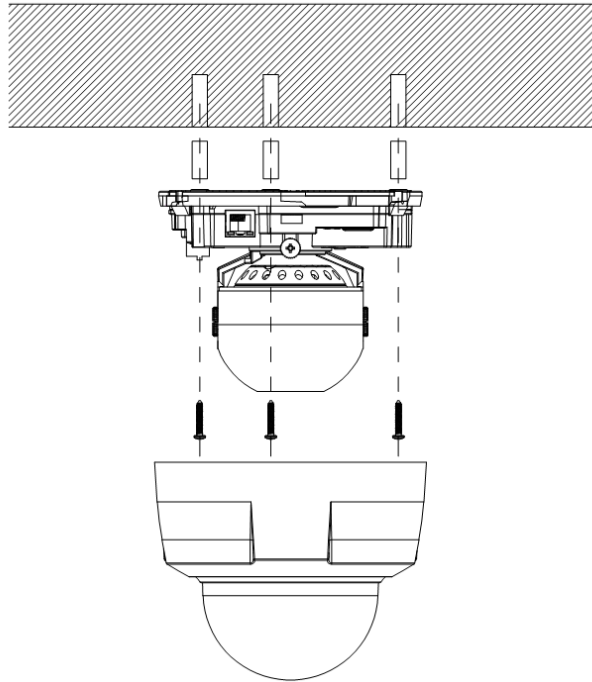


Figure 2- 3 General installation 1

Step 1

Take the installation position diagram from the accessories bag and then paste it on the installation ceiling or the wall according to the monitor area. Please dig three bottom holes of the plastic expansion bolts according to the diagram. Take three expansion bolts from the accessories bag and then insert them to the holes you just dug and then fix firmly. If you need to dig a hole to pull through the cable, you need to dig a cable exit hole on the installation surface according to the installation positioning diagram.

Step 2

Remove the dome camera enclosure according to the following steps.

- a) For vandal-proof series, use the inner hex wrench from the accessories bag to unfasten the 3 hex screws on the dome camera enclosure and then remove it
- b) For non vandal-proof series, rotate the dome camera enclosure counterclockwise as in Figure 2- 4 until you can remove it.

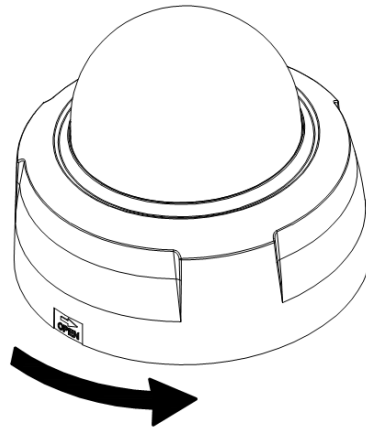


Figure 2- 4 General installation 2

Step 3

Adjust the device chassis and pull the cable through the exit hole. Make fixture hole on chassis face the three plastic expansion bolts (in Step 1). Take 3 ST3.0 self-tapping screw out from the accessories bag and fix them on the three plastic expansion bolts to secure the chassis on installation surface.

Note:

- Make host GND grounded which can improve device reliability. For outside installation, the host GND must be grounded.
- GND of vandal-proof series locates next to its exit hole. GND of non vandal-proof series locates at rear of the camera.
- Device grounding screw dimension is M3X0.5 with valid depth 5mm.

Step 4

Adjust angle of the lens according to actual need.

- a) For the IR series product, you can skip current step and go the step b) directly. For the non-IR series product, push the port slightly to remove the decoration enclosure from the black plastic enclosure. See Figure 2- 5.

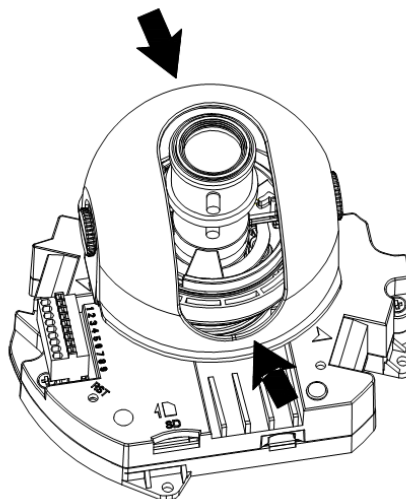


Figure 2- 5 General installation 3

- b) Lens pan rotation angle setup. Please refer to Figure 2- 6 to unfasten the lock screw A and adjust the pan monitor angle to the proper position. Then fix the lock screw A. The pan angle ranges from 0°~350°.
- c) Lens tilt rotation angle. Please refer to Figure 2- 6 to unfasten the lock screw B and lock screw C and adjust the tilt monitor angle to the proper position. Then fix the lock screw B and lock screw C. The tilt angle ranges from -20°~+70°.
- d). Image pan rotation angle setup. Please refer to Figure 2- 6 to turn lock screw D to adjust the video pan angle. Then fix the lock screw B and C. The video pan angle ranges from 0°~+350°.

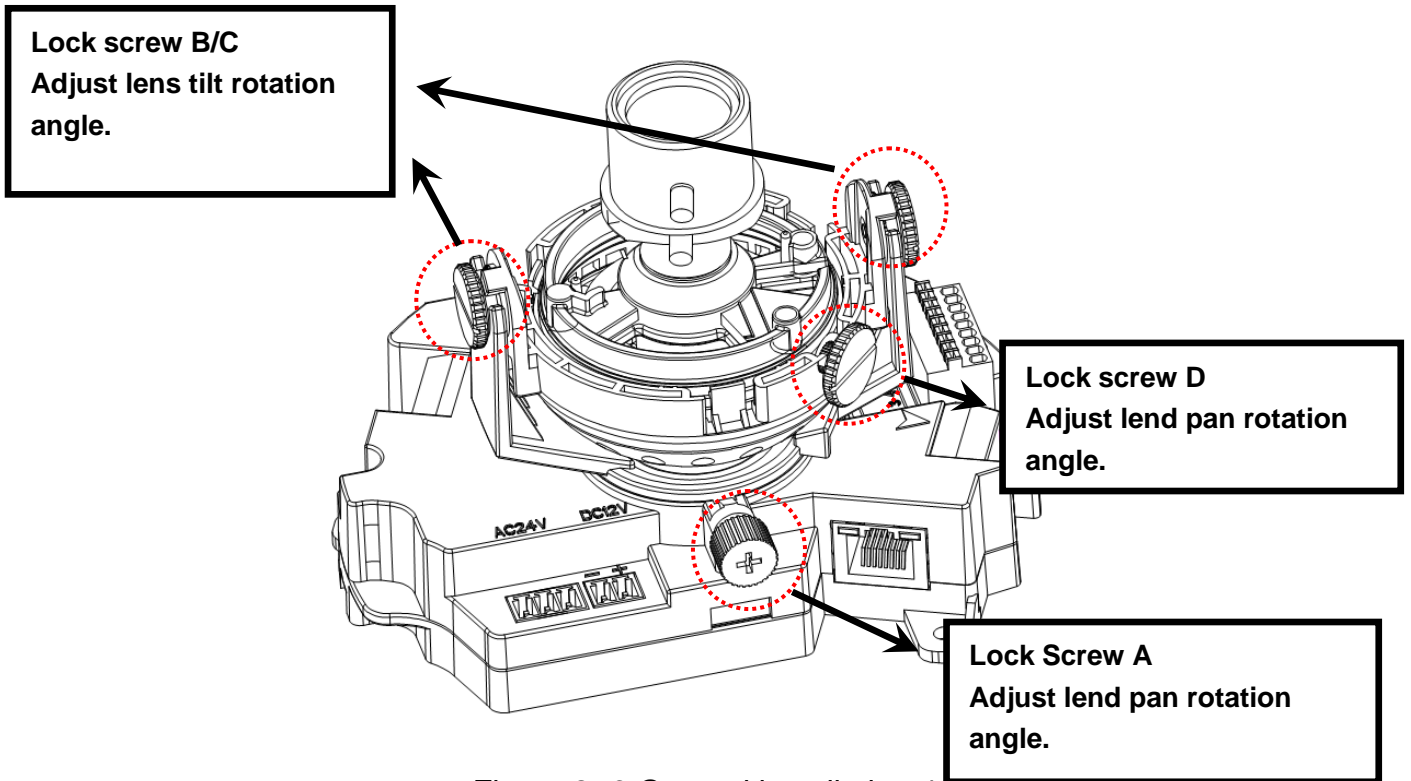


Figure 2- 6 General installation 4

- e) Please refer to Chapter 2.2.2 for the lens zoom and focus operation of the manual focus series product.
- f) For the IR series product, please skip current step and complete the angle setup directly. For the non-IR series product, please put back the black plastic decoration enclosure to complete the angle setup.

Important

Please note Figure 2- 6 is based on non-IR series. For IR series, the lock screw position and the lens angle adjustment are the same.

Step 5

Line up the dome camera protection enclosure and follow step 2 reversely to put it back.

Note

- Usually we recommend, after the installation, please take the three white static protection gaskets from the accessories bag and insert them to the screw holes of the protection enclosure. It is to enhance device reliability.
- If you want to install Micro SD card, please refer to chapter 2.3.

2.2.2 Manual Zoom Lens Focus Operation

The manual zoom lens focus interface is shown as in Figure 2- 7.

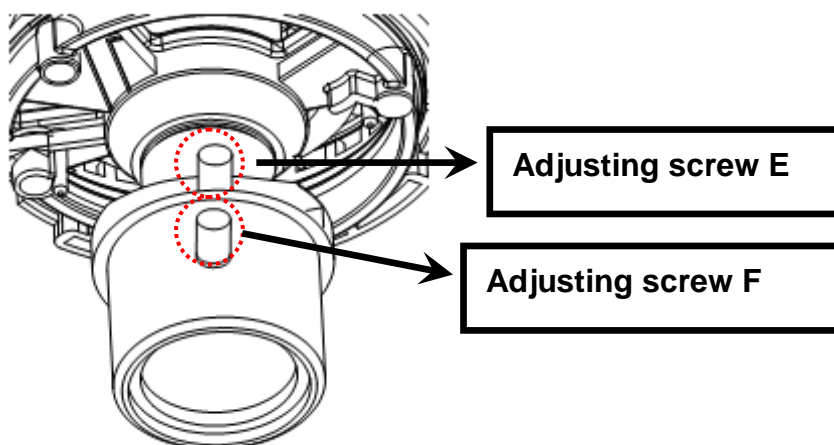


Figure 2- 7 Manual zoom lens

Step 1

Slightly loosen the adjusting screw E and push the adjust screw E to make it swing. Adjust the lens focus to the proper position according to the displayed video.

Step 2

Slightly loosen the adjusting screw F and push the adjust screw F to make it swing. Adjust the lens to get the clear video and then fix the adjusting screw firmly.

Step 3

When you are securing the adjusting screw F, you can see the video may become blur. Please push the adjusting screw E to adjust the video slightly. Please secure the adjust screw E if you get a clear video.

2.2.3 Side Cable Exit

If you adopt side cable exit when you are installing the device, you need to reserve space for the side cable exit and thirl. For vandal-proof series, it locates on side plastic decoration plug. For non vandal-proof series, it locates on side of its enclosure. Use the proper tool to dig through the U-shape slot to form a cable exit. Pull the cable through the hole.

For some special user, he may need the metal protection tube to protect when he pulls through the cable from the side cable. For vandal-proof series, PG11 screw thread port is provided. Please remove the plastic decoration plug from the side panel of the chassis and pull through the cable to the tunnel of the PG11 screw thread. Now secure the tunnel in the PG11 screw threaded hole of the device.

2.2.4 Cable Connection

The vandal-proof series reserves two cable exits. The pin diameter shall be less than 15mm. One of the cable exits has M22 screw thread and can work with the default combination cable to remove the risk of the dragging and pulling of the cable.

The vandal-proof series has two waterproof airproof plugs (One default position is the cable exit of the chassis of the device and the other is in the accessories bag.). The waterproof airproof plug has two functions. One is to fill in the cable exit and pull through the cable. It supports the cable whose diameter ranges from 4.0~6.0 mm. It is very convenient for you to do the waterproof work when you pull the cable through your own exit. Please refer to the steps listed.

Step 1

Take the waterproof airproof plug out, pull the cable (diameter ranges from 4.0 to 6.0 mm) through the waterproof airproof plug. See Figure 2- 8.

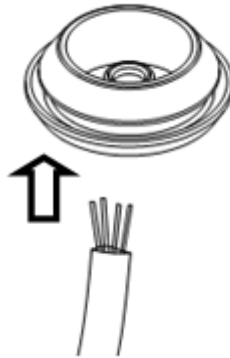


Figure 2- 8 Cable connection

Step 2

Before you go to Step 3 in Chapter 2.2.1, please pull through cable with the waterproof airproof plug to the device chassis via the installation hole at the bottom of the chassis and then connect the cable pins.

Step 3

Refer to Step 3 in Chapter 2.2.1, install and connect the cable pin to the device and then follow the proper steps to go on the installation.

For non vandal-proof series, pull the cable through the anti-dust plug on cable exit of the device chassis.

Important

This series product has the power connection pin and I/O connection pin for you to pull through the signal cable.

2.3 Micro SD Card Installation

Warning!

Please unplug the device power cable and then shutdown the device before you install the Micro SD card.

Step 1

Please refer to Step 2 in chapter 2.2.1 to open the device protection enclosure.

Step 2

Please find the “SD” mark inside the device and adjust the Micro SD card direction according to prompt direction. Insert the card to the slot and then install the Micro SD card. See Figure 2- 9.

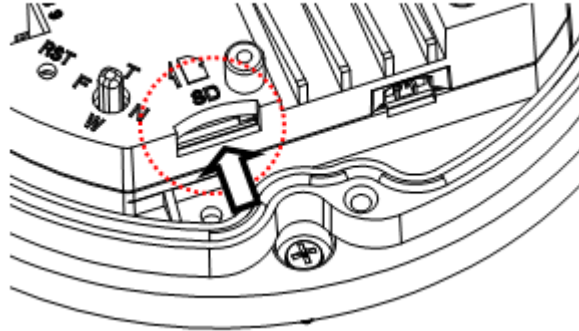


Figure 2- 9 Micro-SD card

3 Quick Configuration Tool

3.1 Overview

Quick configuration tool can search current IP address, modify IP address. At the same time, you can use it to upgrade the device.

Please note the tool only applies to the IP addresses in the same segment.

3.2 Operation

Double click the “ConfigTools.exe” icon, you can see an interface is shown as in Figure 3-1.

In the device list interface, you can view device IP address, port number, subnet mask, default gateway, MAC address and etc.

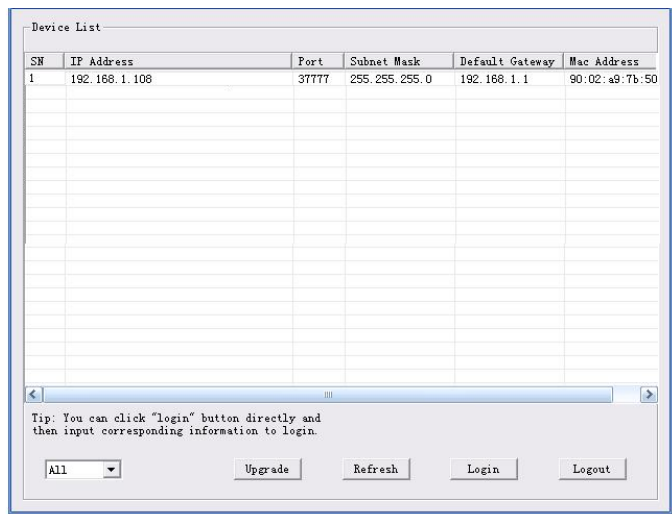


Figure 3-1 Search interface

Select one IP address and then right click mouse, you can see an interface is shown as in Figure 3-2. Select the “Open Device Web” item; you can go to the corresponding web login interface.

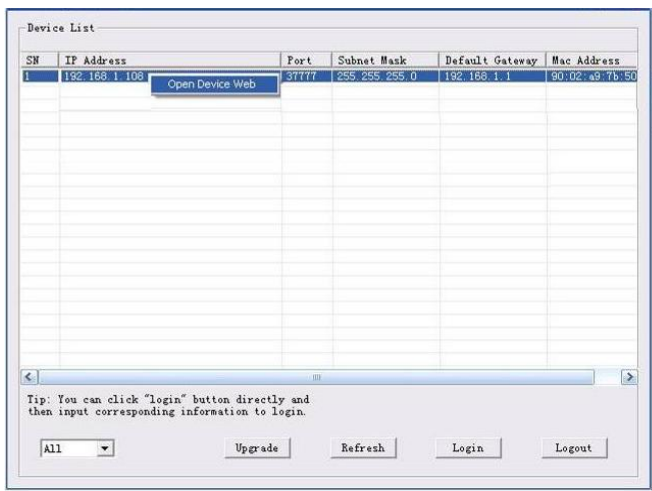


Figure 3-2 Search interface 2

If you want to modify the device IP address without logging in the device web interface, you can go to the configuration tool main interface to set.

In the configuration tool search interface (Figure 3-1), please select a device IP address and then double click it to open the login interface. Or you can select an IP address and then click the Login button to go to the login interface. See Figure 3-3.

In Figure 3-3, you can view device IP address, user name, password and port. Please modify the corresponding information to login.

Please note the port information here shall be identical with the port value you set in TCP port in Web Network interface. Otherwise, you can not login the device.

If you are using device background upgrade port 3800 to login, other setups are all invalid.

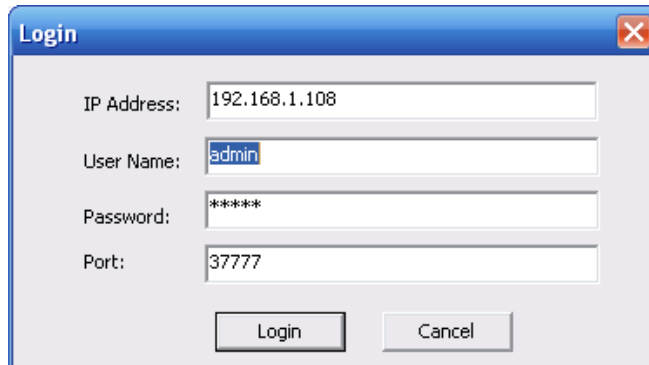
A screenshot of a 'Login' dialog box. It has a blue title bar with the text 'Login' and a close button (X) on the right. The dialog contains four text input fields: 'IP Address' with the value '192.168.1.108', 'User Name' with the value 'admin', 'Password' with the value '*****', and 'Port' with the value '37777'. At the bottom of the dialog are two buttons: 'Login' and 'Cancel'.

Figure 3-3 Login prompt

After you logged in, the configuration tool main interface is shown as below. See Figure 3-4.

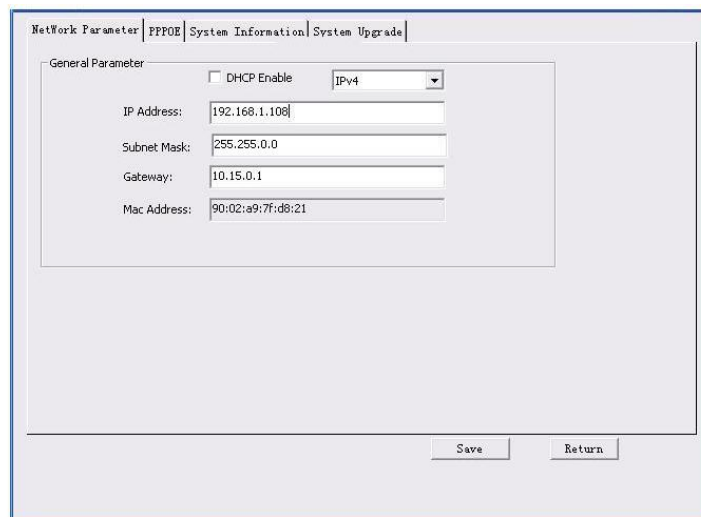
A screenshot of the main configuration tool interface. At the top, there are four tabs: 'Network Parameter', 'PPPOE', 'System Information', and 'System Upgrade'. The 'Network Parameter' tab is selected. Below the tabs is a 'General Parameter' section. It contains a checkbox for 'DHCP Enable' which is unchecked, and a dropdown menu for 'IPv4' which is set to 'IPv4'. Below these are five text input fields: 'IP Address' (192.168.1.108), 'Subnet Mask' (255.255.0.0), 'Gateway' (10.15.0.1), and 'Mac Address' (90:02:a9:7f:d8:21). At the bottom right of the main area are two buttons: 'Save' and 'Return'.

Figure 3-4 Main interface

For detailed information and operation instruction of the quick configuration tool, please refer to the *Quick Configuration Tool User's Manual* included in the resources CD.

4 Web Operation

This series network camera products support the Web access and management via PC. Web includes several modules: Monitor channel preview, system configuration, alarm and etc.

4.1 Network Connection

Please follow the steps listed below for network connection.

1. Make sure the network camera has connected to the network properly.
2. Please set the IP address, subnet mask and gateway of the PC and the network camera respectively. Network camera default IP address is 192.168.1.108. Subnet mask is 255.255.255.0. Gateway is 192.168.1.1
3. Use order ping `***.***.***.***(* network camera address)` to check connection is OK or not.

4.2 Login and Main Interface

Open IE and input network camera address in the address bar. See Figure 4- 1.

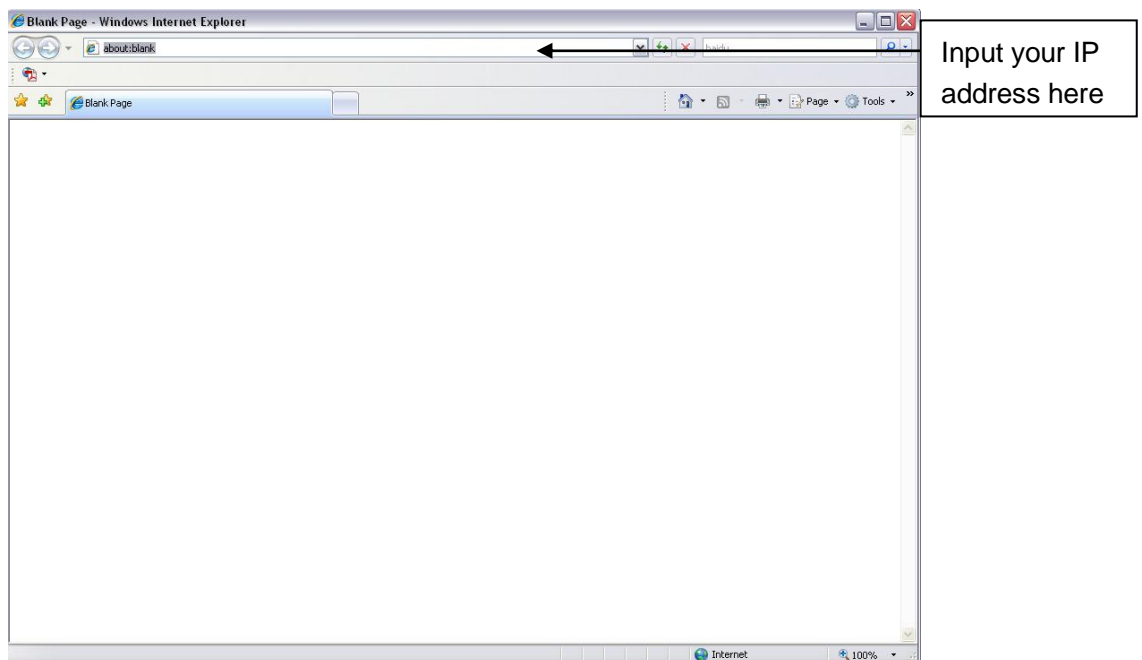


Figure 4- 1 IP address

The login interface is shown as below. See Figure 4- 2.

Please input your user name and password.

Default factory name is admin and password is admin.

Note: For security reasons, please modify your password after you first login.



Figure 4- 2 Web login

If it is your first time to login in, system pops up warning information to ask you whether install control webrec.cab. Please click OK button, and system will automatically install the control. When system is upgrading, it will overwrite the previous Web too.

If you can't download the ActiveX file, please check whether you have installed the plug-in to disable the control download. Or you can lower the IE security level.

After you logged in, you can see the main window. See Figure 4- 3.

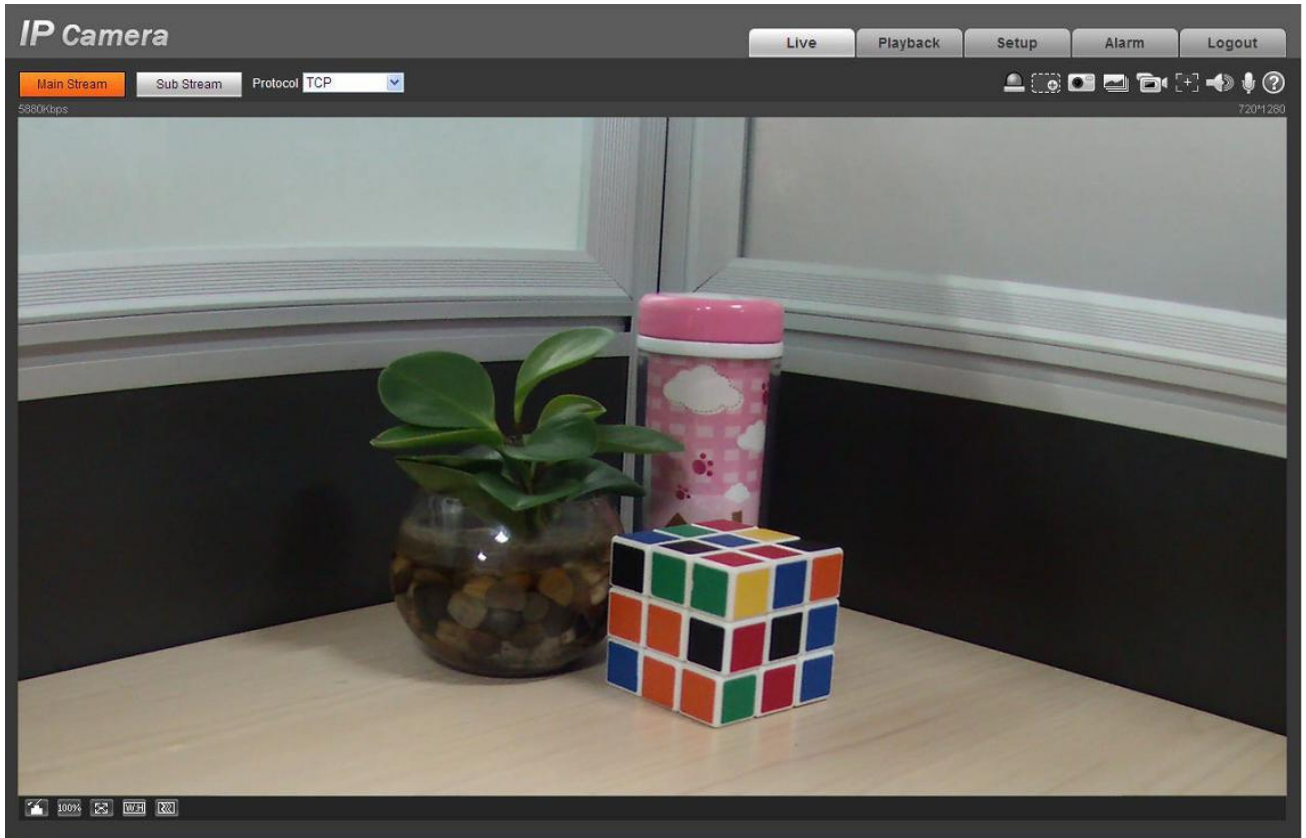


Figure 4- 3 Web monitoring window

Please refer to the Web Operation Manual included in the resource CD for detailed operation instruction.

Appendix Toxic or Hazardous Materials or Elements

Component Name	Toxic or Hazardous Materials or Elements					
	Pb	Hg	Cd	Cr VI	PBB	PBDE
Circuit Board Component	○	○	○	○	○	○
Device Case	○	○	○	○	○	○
Wire and Cable	○	○	○	○	○	○
Packing Components	○	○	○	○	○	○
Accessories	○	○	○	○	○	○

O: Indicates that the concentration of the hazardous substance in all homogeneous materials in the parts is below the relevant threshold of the SJ/T11363-2006 standard.

X: Indicates that the concentration of the hazardous substance of at least one of all homogeneous materials in the parts is above the relevant threshold of the SJ/T11363-2006 standard. During the environmental-friendly use period (EFUP) period, the toxic or hazardous substance or elements contained in products will not leak or mutate so that the use of these (substances or elements) will not result in any severe environmental pollution, any bodily injury or damage to any assets. The consumer is not authorized to process such kind of substances or elements, please return to the corresponding local authorities to process according to your local government statutes.

Note

- **This user's manual is for reference only. Slight difference may be found in user interface.**
- **All the designs and software here are subject to change without prior written notice.**
- **All trademarks and registered trademarks mentioned are the properties of their respective owners.**
- **If there is any uncertainty or controversy, please refer to the final explanation of us.**
- **Please visit our website for more information.**