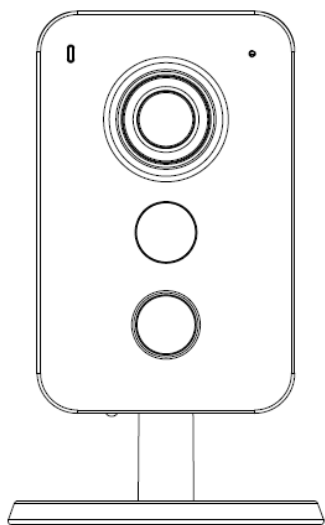


Dahua K Series Cube Network Camera Quick Start Guide

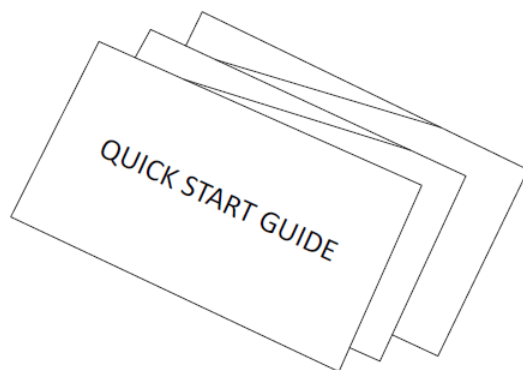
V 1.0.3

Dahua Vision Technology CO., LTD

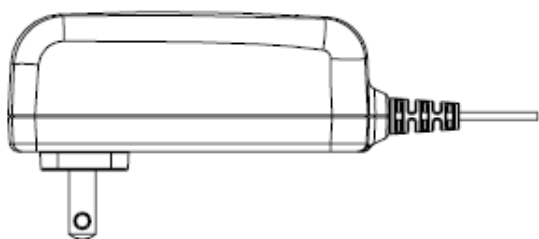
1 Packing List



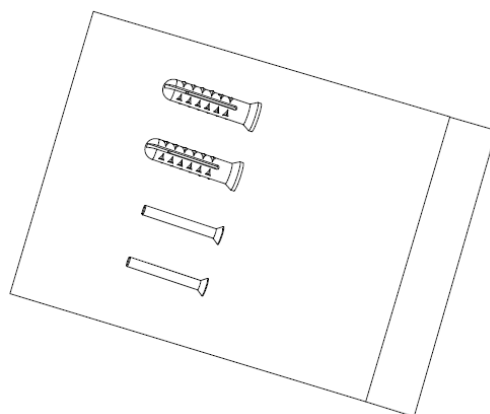
Device × 1



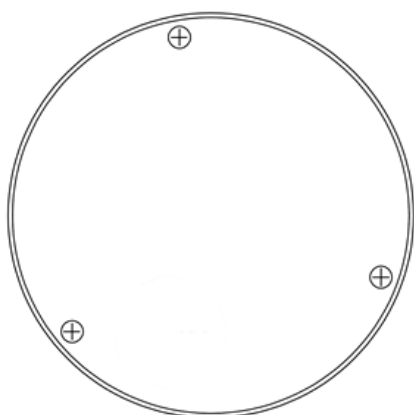
QSG × 1



Power Adapter × 1



Screw Package × 1



Installation Position Map × 1

2 Product Appearance

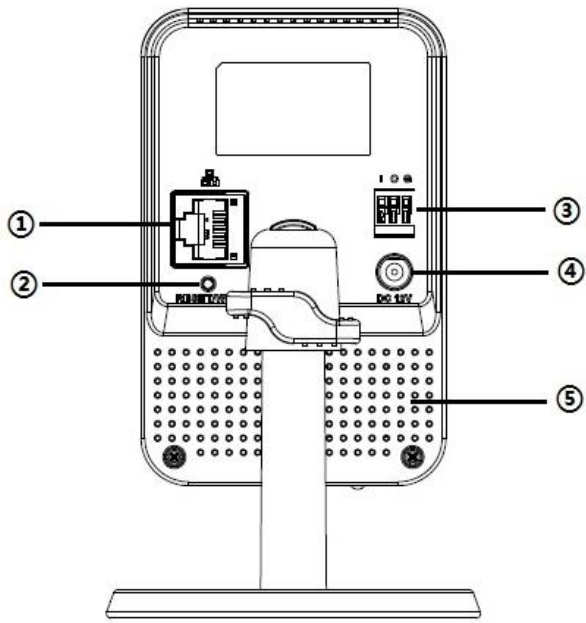


Figure 2-1

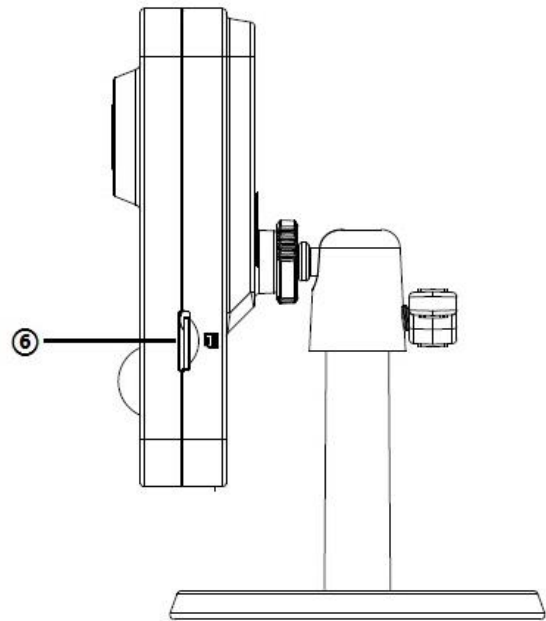


Figure 2-2

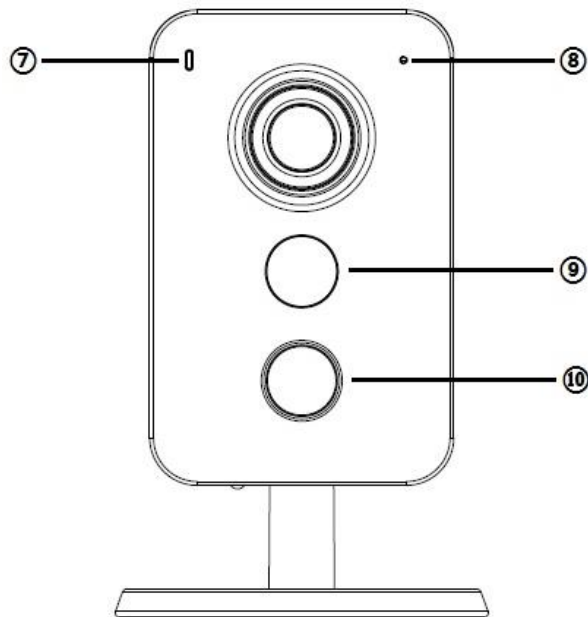


Figure 2-3

Please refer to the following sheet for more details about each port.

SN	Name
1	Ethernet port (Wireless connection mode is available as well)
2	Reset/WPS (Wi-Fi Protected Setup) button
3	Digital input/output (Refer to chapter 4 for connection mode)
4	Power port
5	Speaker

6	Micro SD card slot
7	Indicator light
8	Microphone
9	IR LED
10	PIR (Sense IR ray, trigger alarm)

Sheet 2-1

Note:

For reset, long press for 8 seconds and then the light off; For WPS (Wi-Fi Protected Setup), one quick press.

Please refer to the following sheet for more details about status of indicator light.

Indicator light status	Device status
Red light stably on	Booting
Green light slow flashing	Booting completed, await Wi-Fi config, enter smart config status;
Green light quick flashing	Wi-Fi smart config in progress, including WPS (Wi-Fi Protected Setup), management frame, etc.
Green light stably on	Wi-Fi connection succeeded, operate normally.
Red and green lights flash alternately	Device upgrade
Red light slow flashing	Network disconnection
Red light quick flashing	Device fail to boot up; alarm or SD card does not work

Sheet 2-2

3 Operate by Easy4ip APP

Step 1

Power on the device with power adapter.

Step 2

Connect your smart phone to your Wi-Fi network. Scan the “Easy4ip” QR on the packing box, download and install the Easy4ip APP.

Step 3

Open Easy4ip APP (take IOS as an example), tap login to login the APP, see Figure 3-1. Please register an account for your first use.

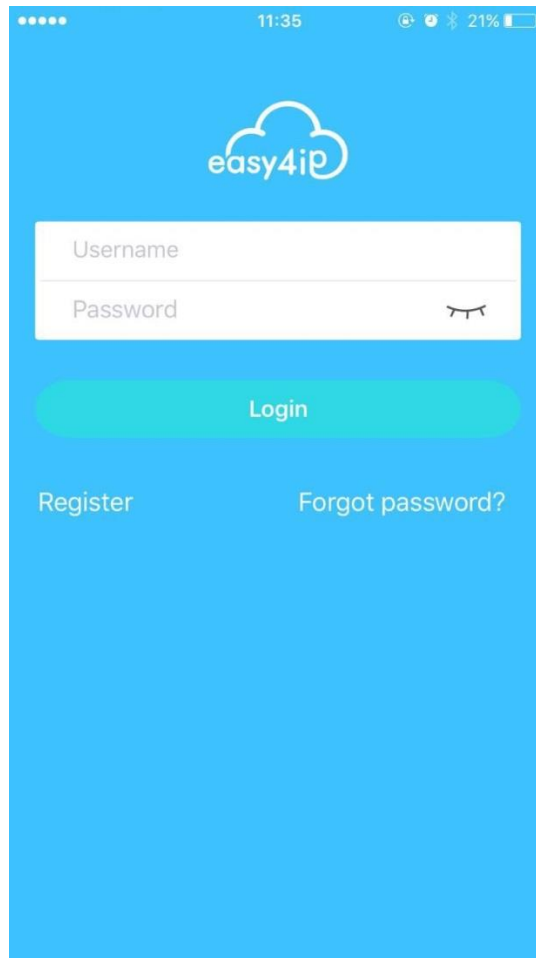


Figure 3-1

Step 4

Please tap “+” to add new devices after you log in your account.

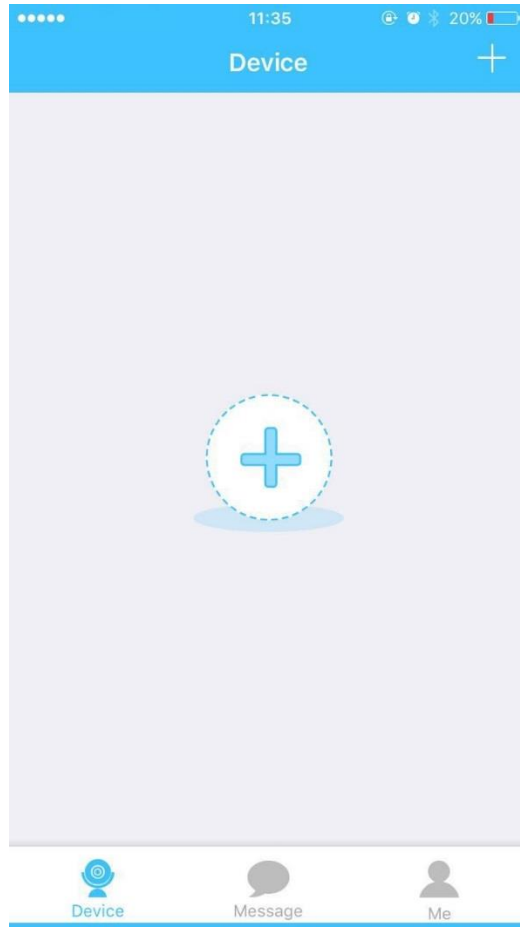


Figure 3-2

Step 5

Scan the QR code on the back of the camera to get the SN, you can also tap “Continue without scanning” and manually input the SN number on the next page.

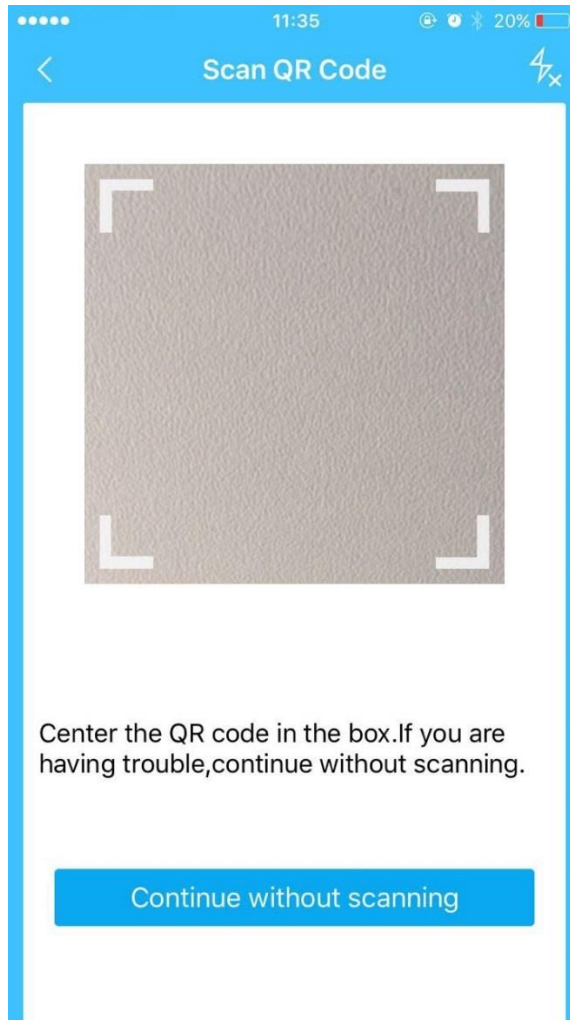


Figure 3-3

Step 6

Fill in the Username and Password of the new camera, both of which are admin by default.

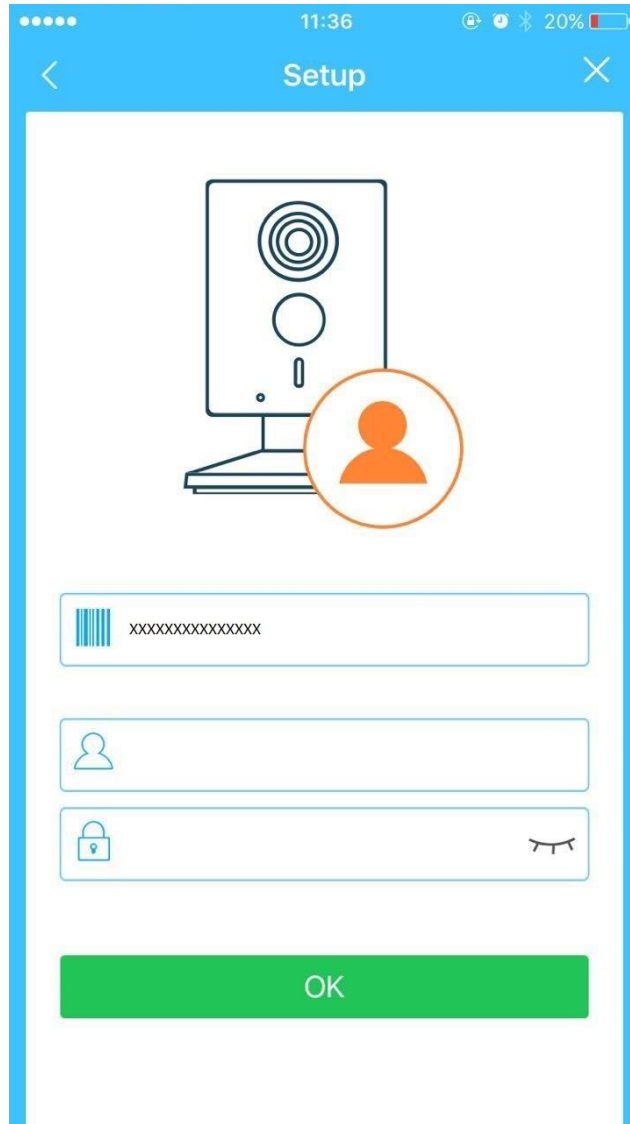


Figure 3-4

Step 7

Select “Yes, config Wi-Fi”, and fill in your Wi-Fi password, then tap “Next”. During the Wi-Fi connecting process, please put your smartphone and the camera within 30cm.

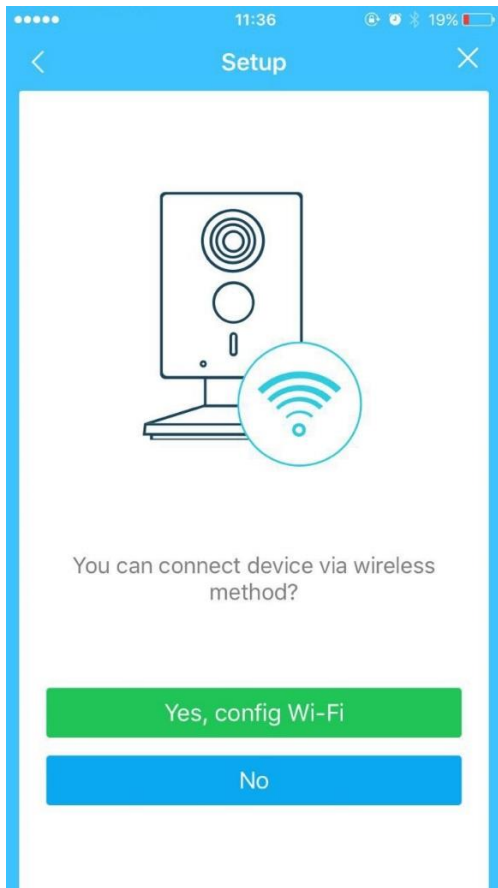


Figure 3-5



Figure 3-6

Step 8

Your Camera will be added to your account.

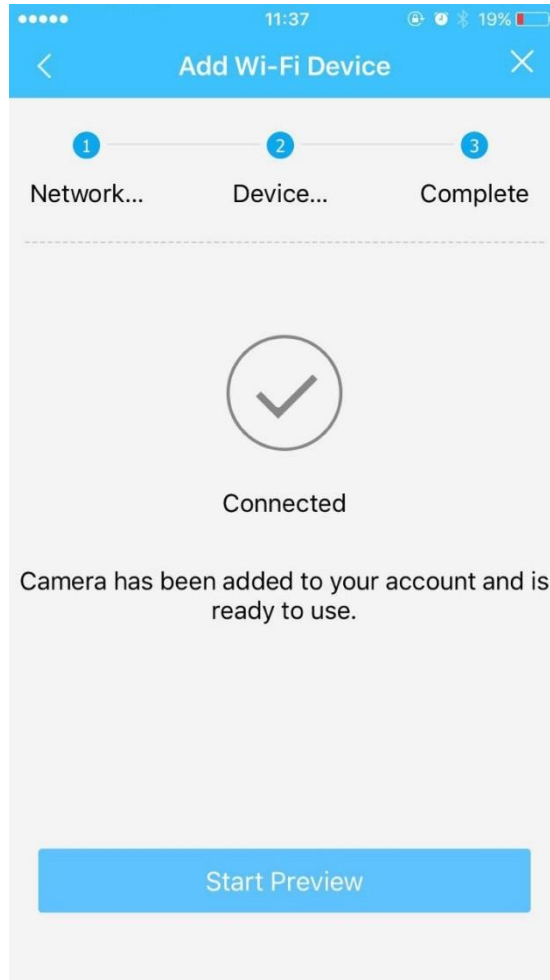


Figure 3-7

Note:

- If you have more cameras, please follow steps 4-8 to add them one by one.
- If you want to change the Wi-Fi signal, please reset the camera to factory default and repeat steps 4-8 to add the device.

4 External Alarm Input/Output Device

IPC supports external alarm device, it can externally connect to alarm input/output device via “Digital input/output”.

4.1.1 Alarm Input Device (detector, sensor and so on)

Please refer to the following figure for alarm input information. See Figure 4-1.

Alarm input: When the input signal is idle or grounded, the device can collect the different statuses of the alarm input port. When the input signal is connected to the 5V or is idle, the device collects the logic “1”. When the input signal is grounded, the device collects the logic “0”.

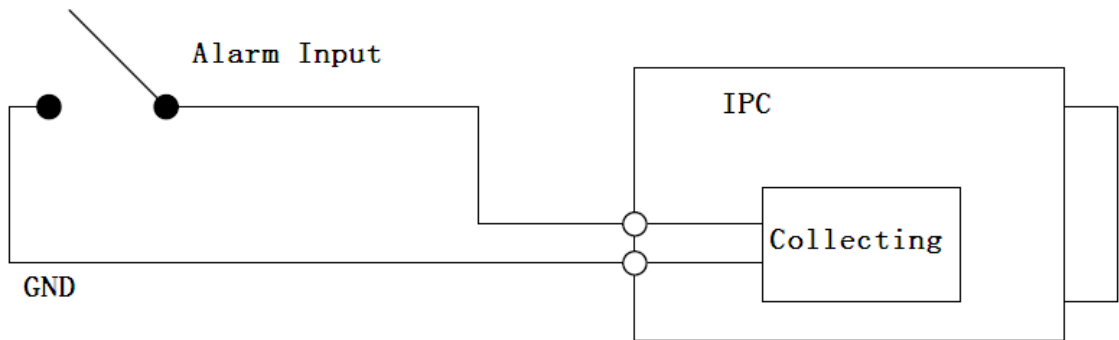


Figure 4-1 Alarm input

4.1.2 Alarm Output Device (alarm device, beeper and so on)

Please refer to Figure 4-2 and 4-3 for alarm output information.

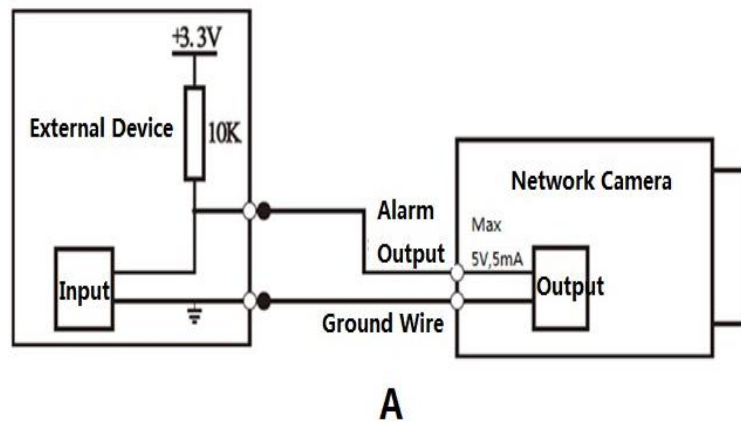


Figure 4-2

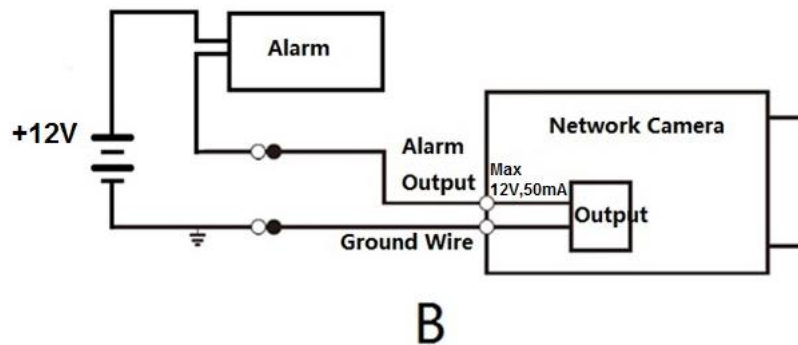


Figure 4-3

Mode A:

Level application. Alarm output high and low level, alarm output is OC; it needs to increase pull-up resistance externally to work normally. Max external pull-up level is 5V, max port current is 5mA. After external pull-up resistance is increased, the default of output signal is high level (external pull-up voltage), and it switches to low level when there is alarm output (when the working current is 5mA, output voltage is less than 0.8V).

Mode B:

Switch application. Alarm output is used to drive external circuit, max current is 50mA, max voltage is 12V (it can be applied together with alarm siren, acousto-optic alarm siren HC103) it is advised to add a relay if it is beyond the value.

5 Device Installation

Important:

Please make sure the installation surface can support the 3X weight of the camera and the bracket.

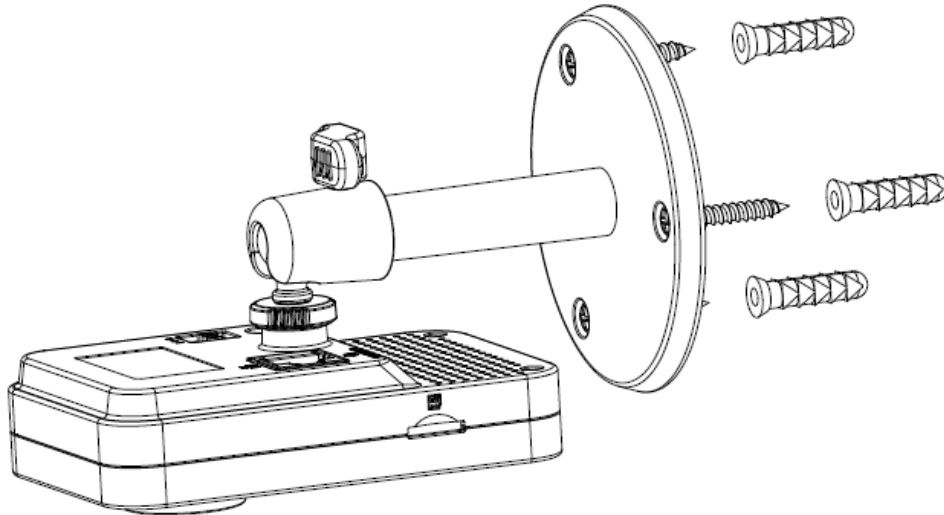


Figure 5-1

Step 1

Paste the installation map on the installation surface such as wall, ceiling or the wood.

Step 2

Dig holes in the installation surface according to the installation map.

Step 3

Insert the expansion bolts from the accessories bag to the holes you just dug. If it is the wood surface you can skip to the next step.

Step 4

Fix the device with screw in the accessories bag.

Step 5

Connect the cable and then boot up the device.

Step 6

Loosen the adjust knob for a little bit, adjust the camera to proper surveillance position according to your practical requirements.

Step 7

Secure the knob of the bracket to fix the camera.

Note:

- **This quick start guide is for reference only. Slight difference may be found in user interface.**
- **All the designs and software here are subject to change without prior written notice.**
- **All trademarks and registered trademarks mentioned are the properties of their respective owners.**
- **If there is any uncertainty or controversy, please refer to the final explanation of us.**
- **Please visit our website or contact your local service engineer for more information.**



Dahua Vision Technology Co., Ltd

Address: No.1199 Bin'an Road, Binjiang District, Hangzhou, PRC.

Postcode: 310053

Tel: +86-571-87688883

Fax: +86-571-87688815

Email: overseas@dahuatech.com

Website: www.dahuasecurity.com