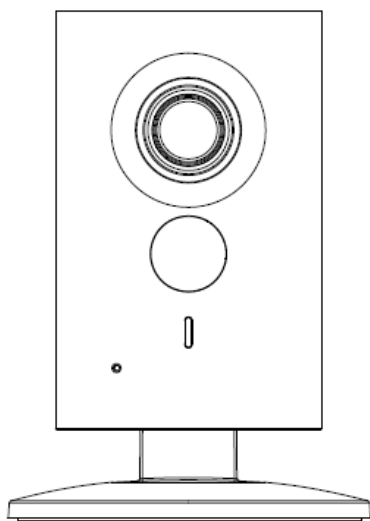


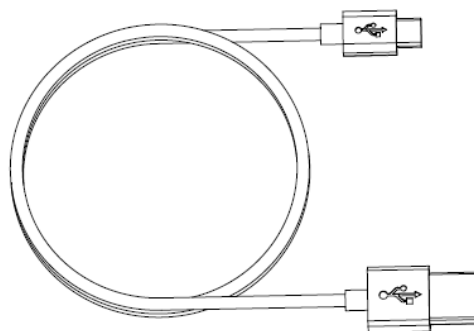
# **C Series Home Camera Quick Start Guide**

**V 1.0.1**

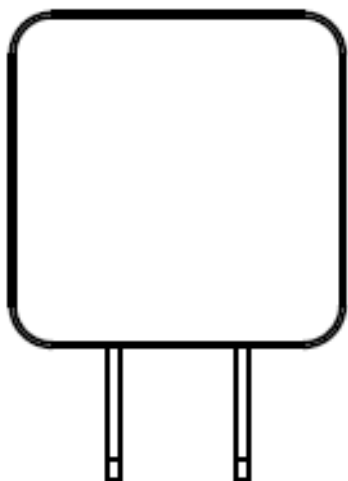
# 1 Packing List



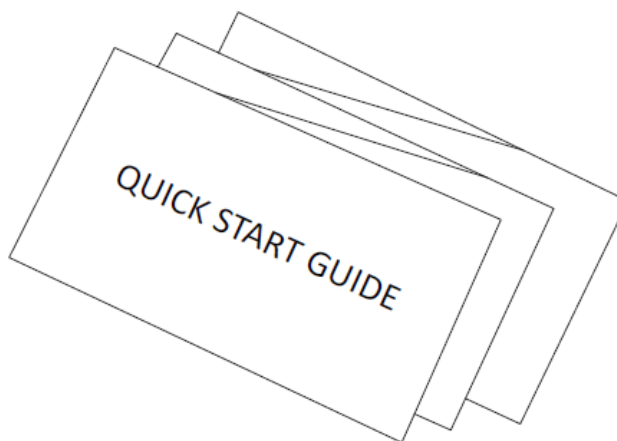
Device × 1



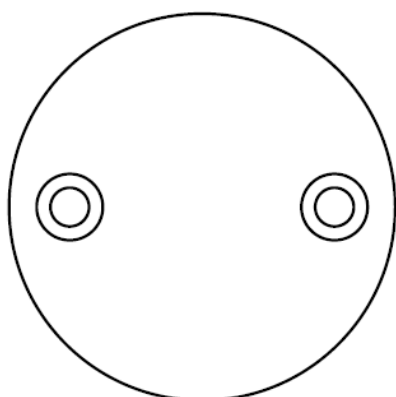
USB × 1



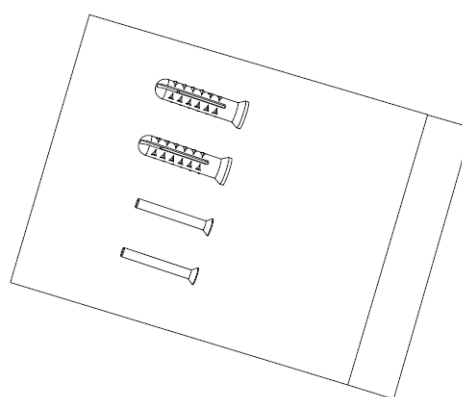
Power Adapter × 1



QSG × 1



Iron Plate (for magnetic installation) × 1



Screw Package × 1

## 2 Product Appearance

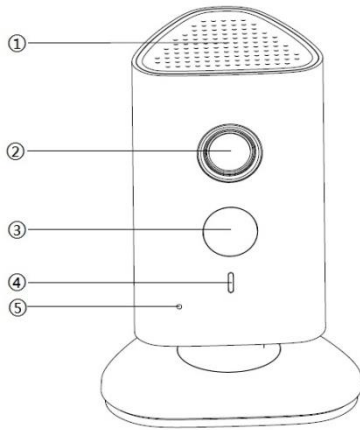


Figure 2-1

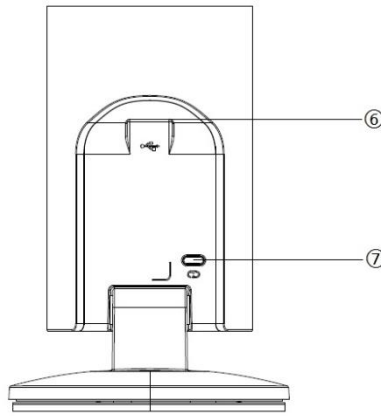


Figure 2-2

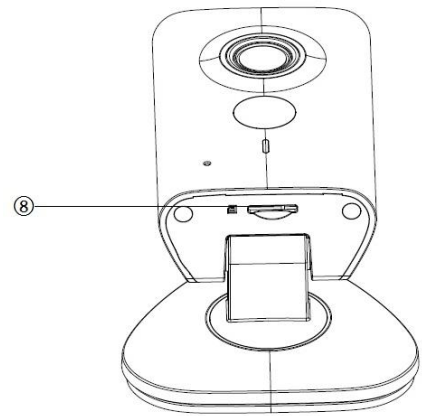


Figure 2-3

Please refer to the following sheet for more details about each port.

| SN | Name                                      |
|----|---|
| 1  | Speaker                                   |
| 2  | Lens                                      |
| 3  | IR (Infrared Ray) LED                     |
| 4  | Indicator light                           |
| 5  | Microphone                                |
| 6  | USB power supply                          |
| 7  | Reset/ WPS (Wi-Fi Protected Setup) button |
| 8  | Micro SD Card Slot                        |

Sheet 2-1

### Note:

For reset, long press for 8 seconds and then the light off; For WPS (Wi-Fi Protected Setup), one quick press.

Please refer to the following sheet for more details about status of indicator light.

| Indicator light status                 | Device status   |
|--|---|
| Red light normally on                  | Booting   |
| Green light slow flashing              | Booting completed, await wifi config, enter smart config status;                                |
| Green light quick flashing             | Wifi smart config in progress, including WPS (Wi-Fi Protected Setup), management frame and etc. |
| Green light normally on                | Wifi connection succeeded, operate normally.  |
| Red and green lights flash alternately | Device upgrade  |
| Red light slow flashing                | Network connection failure or disconnection after network connection success.                   |
| Red light quick flashing               | Device malfunction, fail to boot up; alarm or SD card malfunction                               |

Sheet 2-2

### 3 Operate by EasyViewer

#### Step 1

Power on the camera.

#### Step 2

Connect iPhone to a WiFi signal.

#### Step 3

Open EasyViewer (downloaded from APP Store), choose Device Manager.

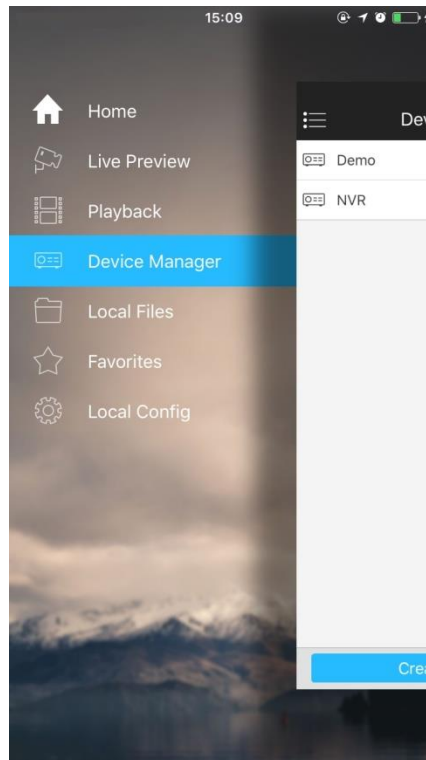


Figure 3-1

#### Step 4

Please select “P2P” when the network cable is connected, select “WiFi configuration” for wireless connection. Here is an example of wireless connection.

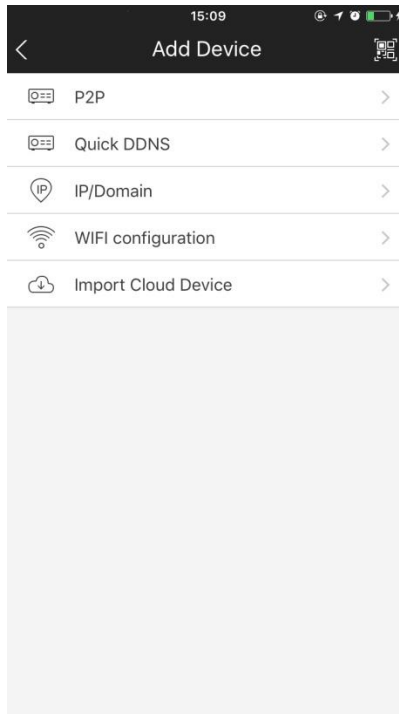


Figure 3-2

**Step 5**

Input a device name and scan the QR code on camera, then “next”.

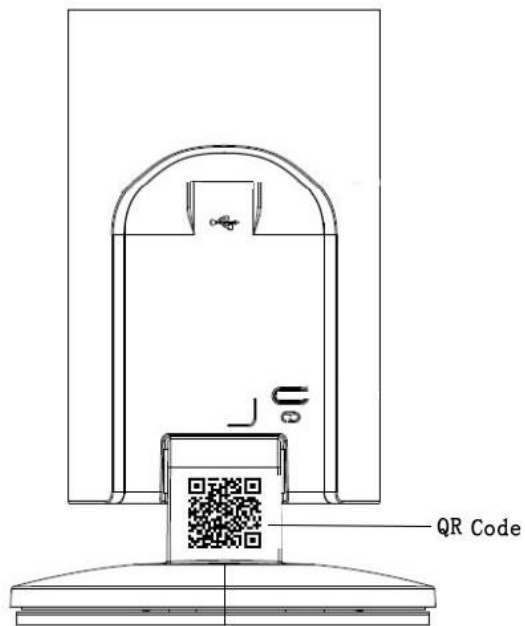


Figure 3-3

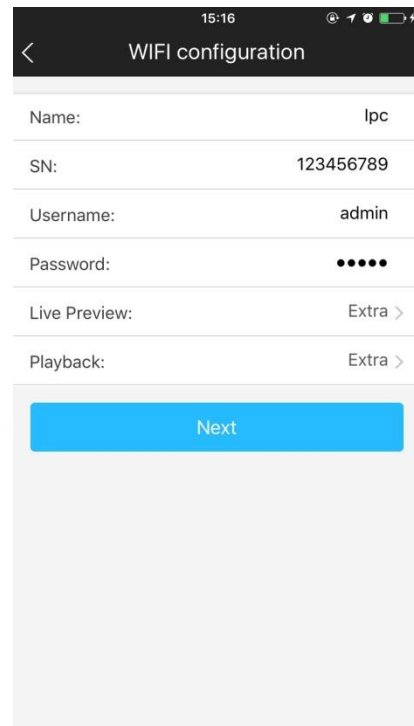


Figure 3-4

**Step 6**

Input the WiFi password, then “next”.

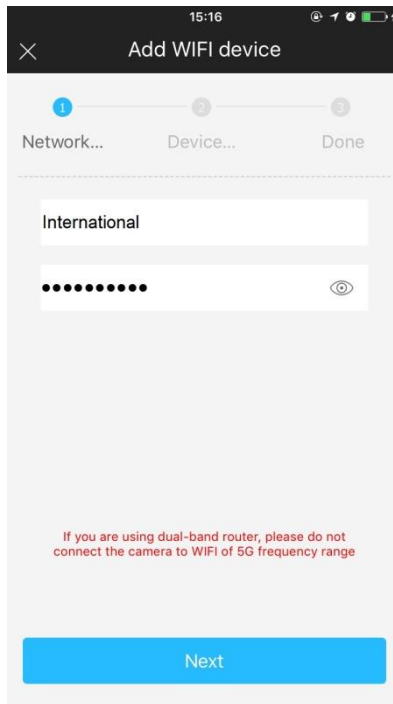


Figure 3-5

**Step 7**

Connection succeeds.

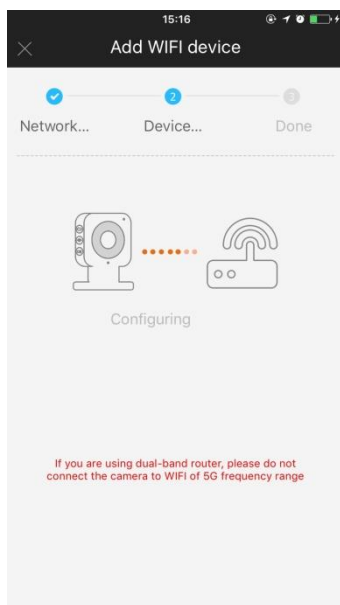


Figure 3-6

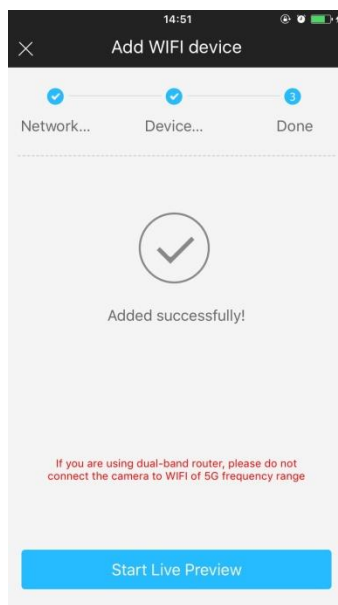


Figure 3-7

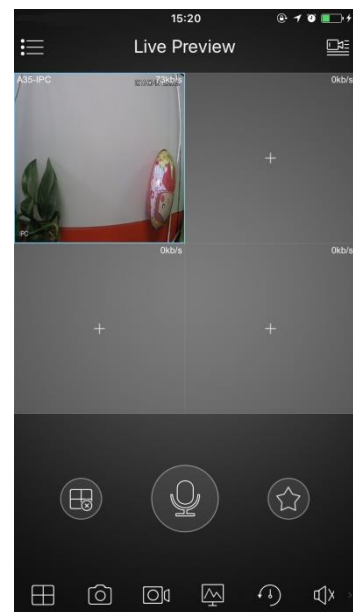


Figure 3-8

**Note:**

Please try again or check the WiFi password if it failed.

The WiFi configuration will be closed if activating WPS (Wi-Fi Protected Setup) function, please reset the device if you still need to configure WiFi via EasyViewer.

## 4 Device Installation

### Important

Before the installation, please make sure the installation environment can at least support 3x weight of the camera.

### 4.1 Non-metal Surface

Step 1

Fix the metal plate with screws.

Step 2

Stick the camera onto the metal plate.

### 4.2 Metal Surface

Stick the camera onto the metal surface directly.

### Note:

- **This quick start guide is for reference only. Slight difference may be found in user interface.**
- **All the designs and software here are subject to change without prior written notice.**
- **All trademarks and registered trademarks mentioned are the properties of their respective owners.**
- **If there is any uncertainty or controversy, please refer to the final explanation of us.**
- **Please visit our website or contact your local service engineer for more information.**