

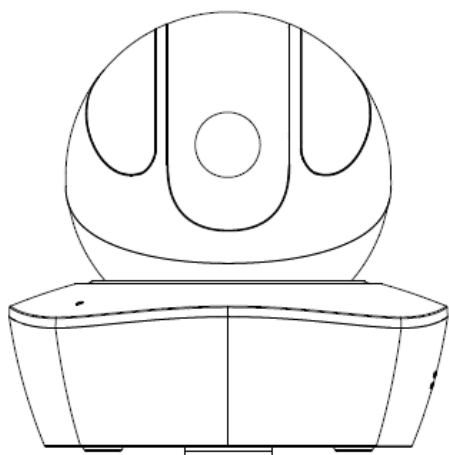


Dahua A Series HD Wi-Fi Network Camera Quick Start Guide

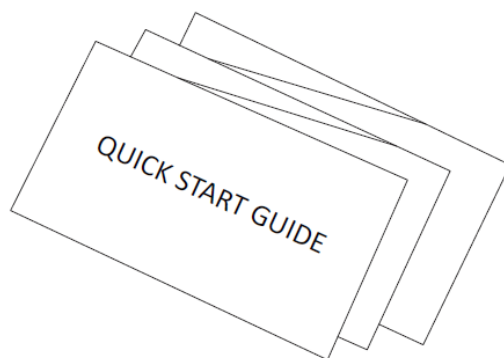
V 1.0.3

Dahua Vision Technology CO., LTD

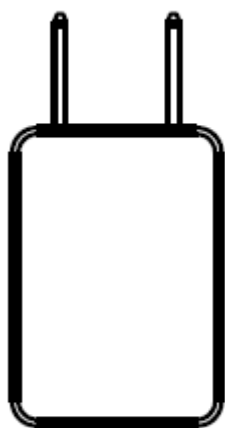
1 Packing List



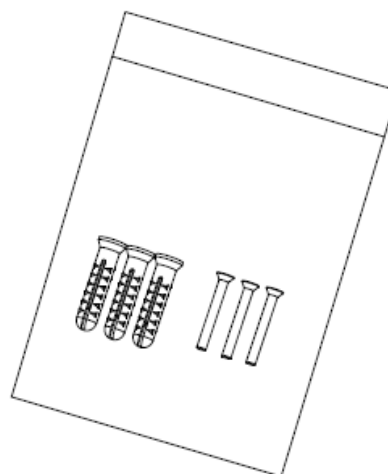
Device × 1



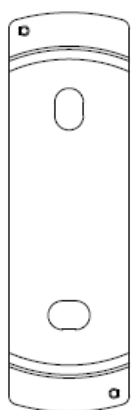
QSG × 1



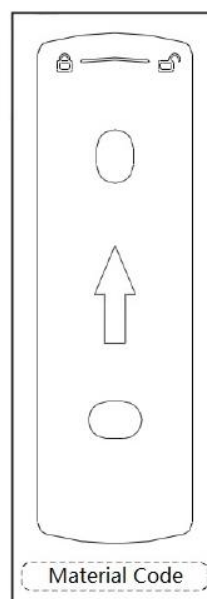
Power Adapter × 1



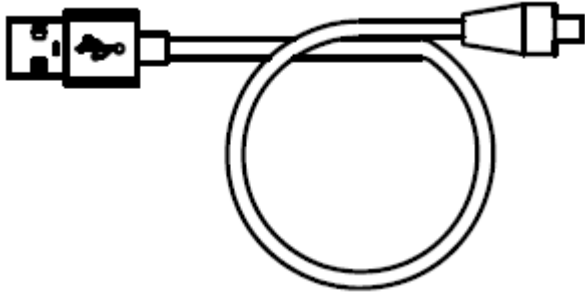
Screw Package × 1



Quick Installation Board × 1



Installation Position Map × 1



USB × 1

2 Product Appearance

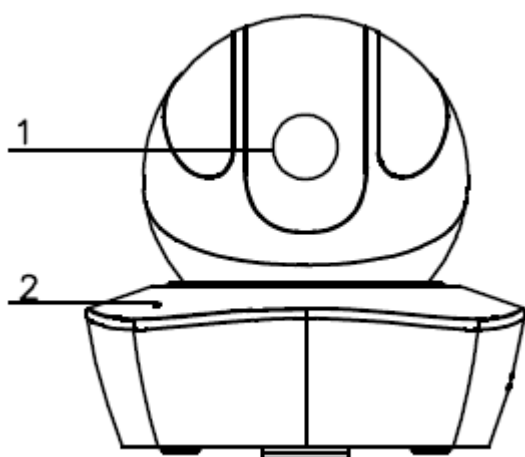


Figure 2-1

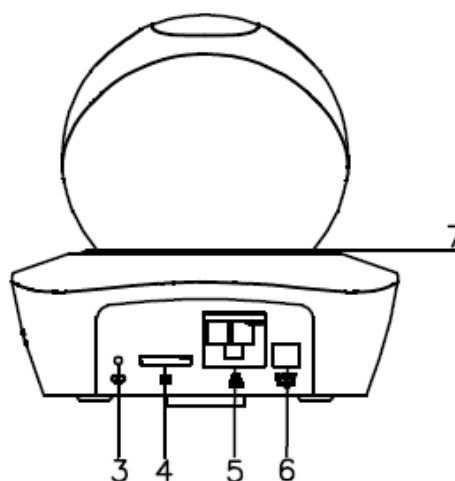


Figure 2-2

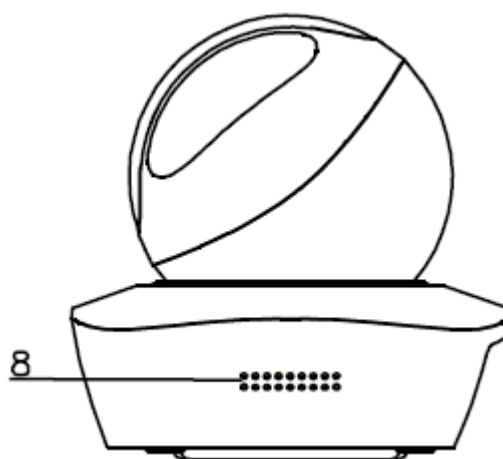


Figure 2-3

Please refer to the following sheet for more details about each port.

SN	Name
1	Lens
2	Microphone
3	Reset/WPS (Wi-Fi Protected Setup)button
4	Micro SD card slot
5	Ethernet port
6	Power port
7	Indicator light
8	Speaker

Note:

For reset, long press for 8 seconds and then the light off; For WPS (Wi-Fi Protected Setup), one quick press.

Please refer to the following sheet for more details about status of indicator light.

Device status	Indicate light status
Red light spinning	Booting, device malfunction, fail to boot up
Green light spinning	Booting completed, await Wi-Fi config, enter smart config status;
Green light flashing	Wi-Fi smart config in progress, including WPS (Wi-Fi Protected Setup), management frame, etc.
Blue light stably on	Wi-Fi connection succeeded, operate normally.
Blue light flashing	Device upgrade
Yellow light flashing	Network disconnection
Red light flashing	Alarm or SD card does not work

Sheet 2-2

3 Operate by Easy4ip APP

Step 1

Power on the device with power adapter.

Step 2

Connect your smart phone to your Wi-Fi network. Scan the “Easy4ip” QR on the packing box, download and install the Easy4ip APP.

Step 3

Open Easy4ip APP (take IOS as an example), tap login to login the APP, see Figure 3-1. Please register an account for your first use.

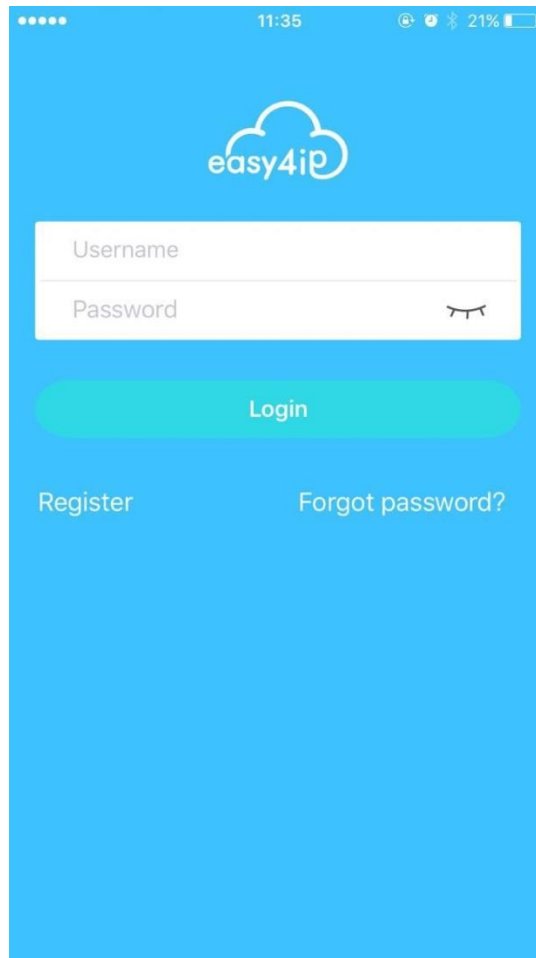


Figure 3-1

Step 4

Please tap “+” to add new devices after you log in your account.

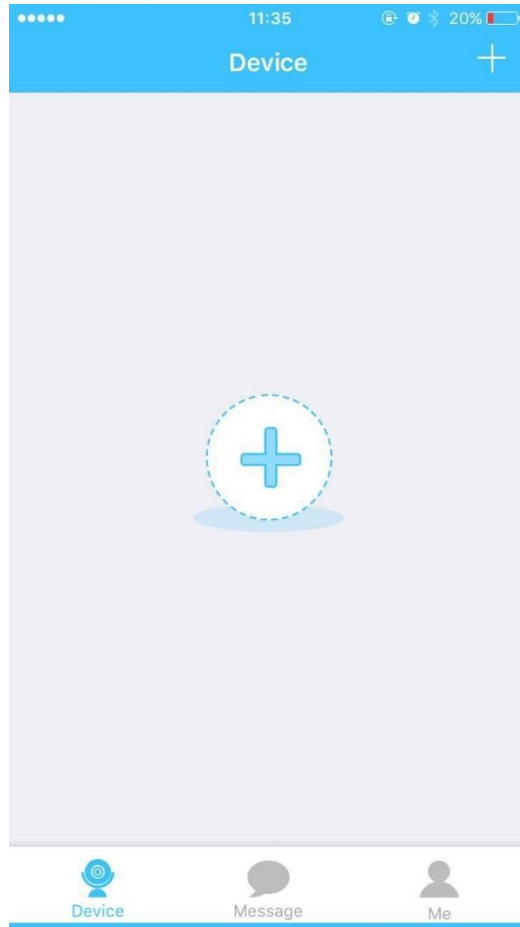


Figure 3-2

Step 5

Scan the QR code on the back of the camera to get the SN, you can also tap “Continue without scanning” and manually input the SN number on the next page.

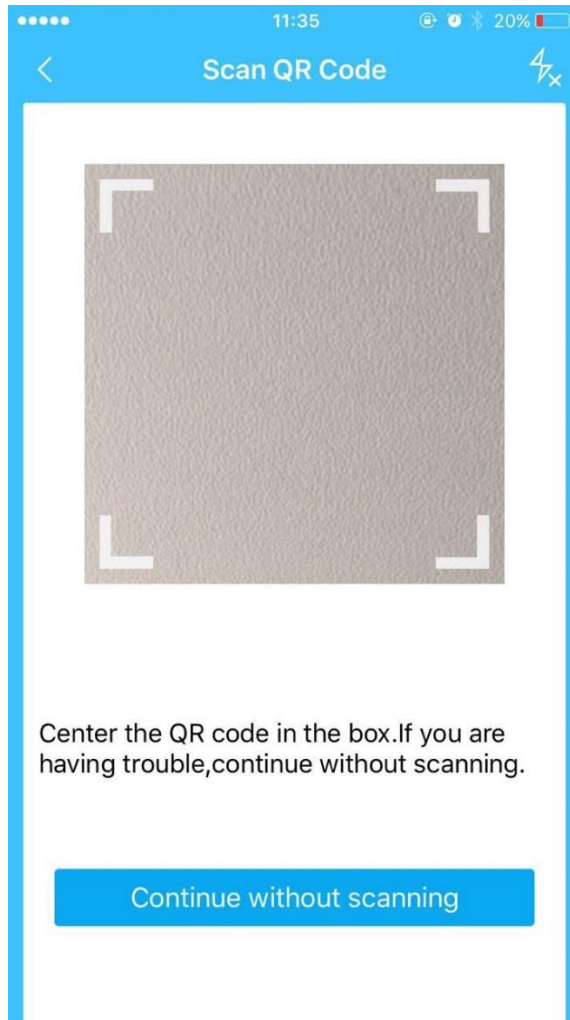


Figure 3-3

Step 6

Fill in the Username and Password of the new camera, both of which are admin by default.

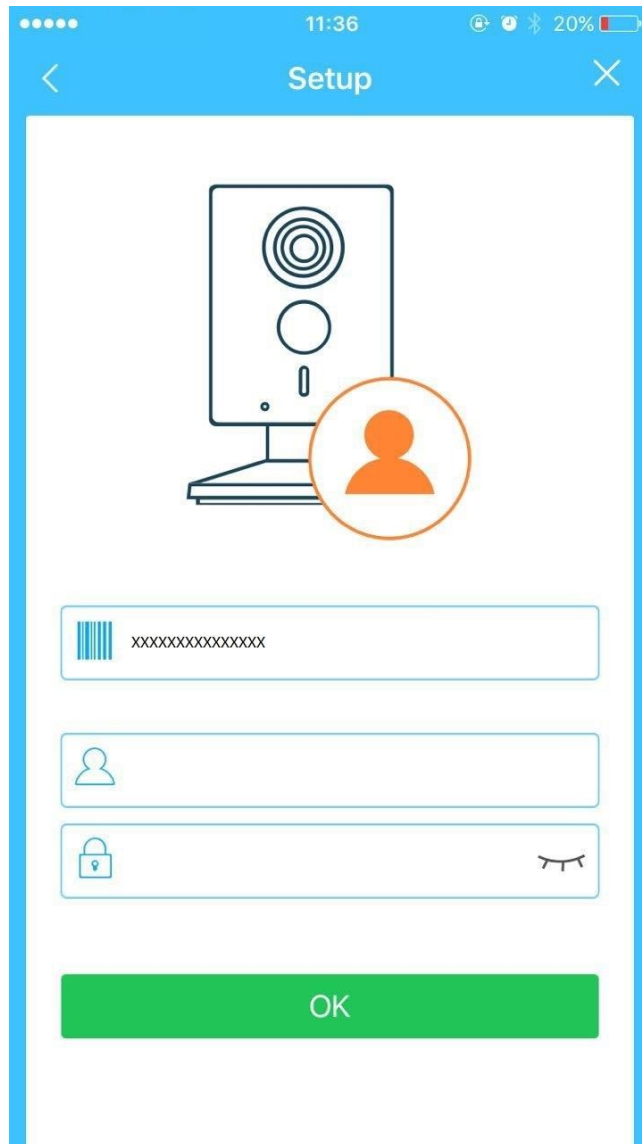


Figure 3-4

Step 7

Select “Yes, config Wi-Fi”, and fill in your Wi-Fi password, then tap “Next”. During the Wi-Fi connecting process, please put your smartphone and the camera within 30cm.

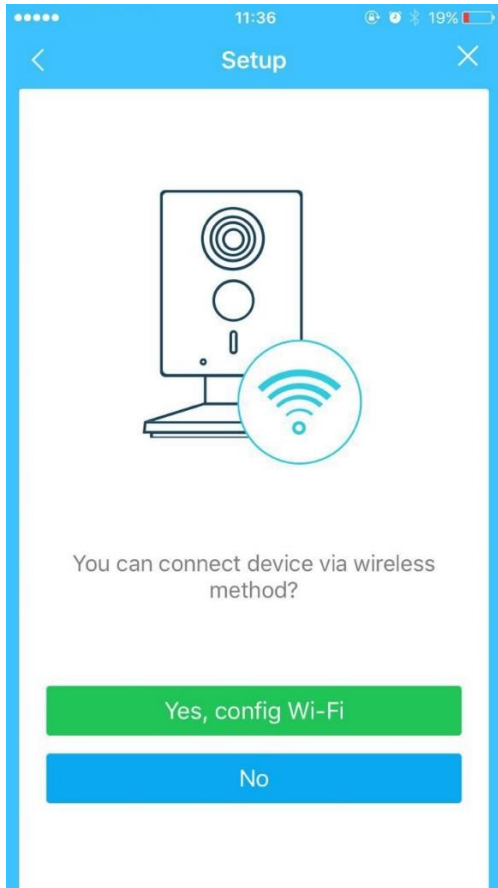


Figure 3-5

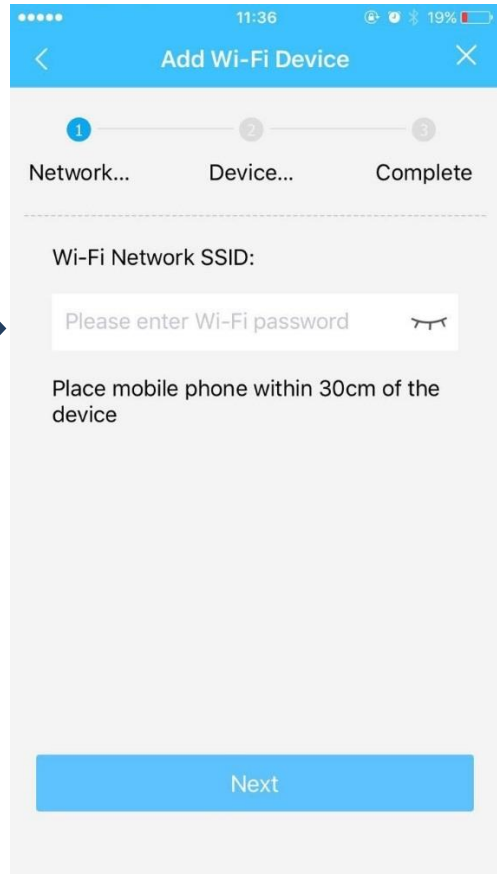


Figure 3-6

Step 8

Your Camera will be added to your account.

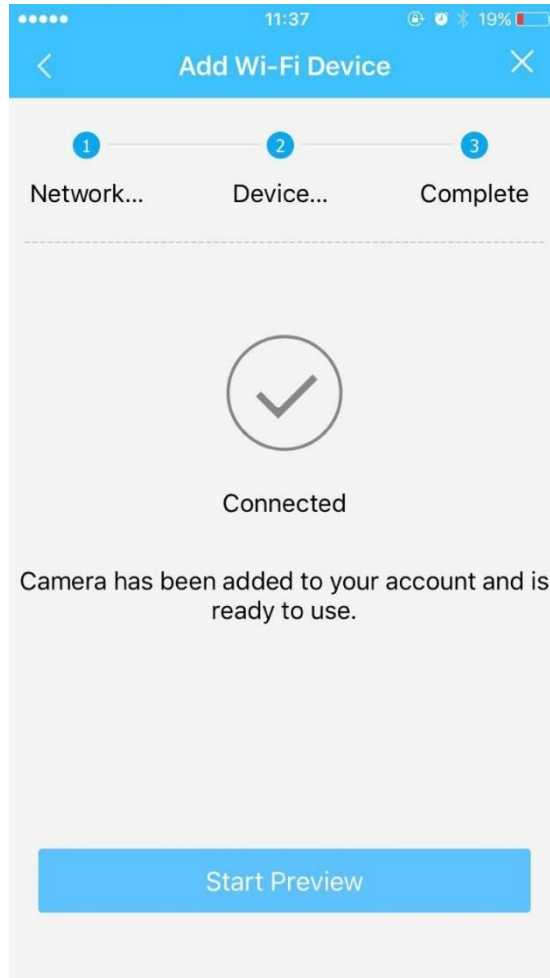


Figure 3-7

Note:

- If you have more cameras, please follow steps 4-8 to add them one by one.
- If you want to change the Wi-Fi signal, please reset the camera to factory default and repeat steps 4-8 to add the device.

4 Device Installation

Important

Before the installation, please make sure the installation environments can at least support 3x weight of the camera.

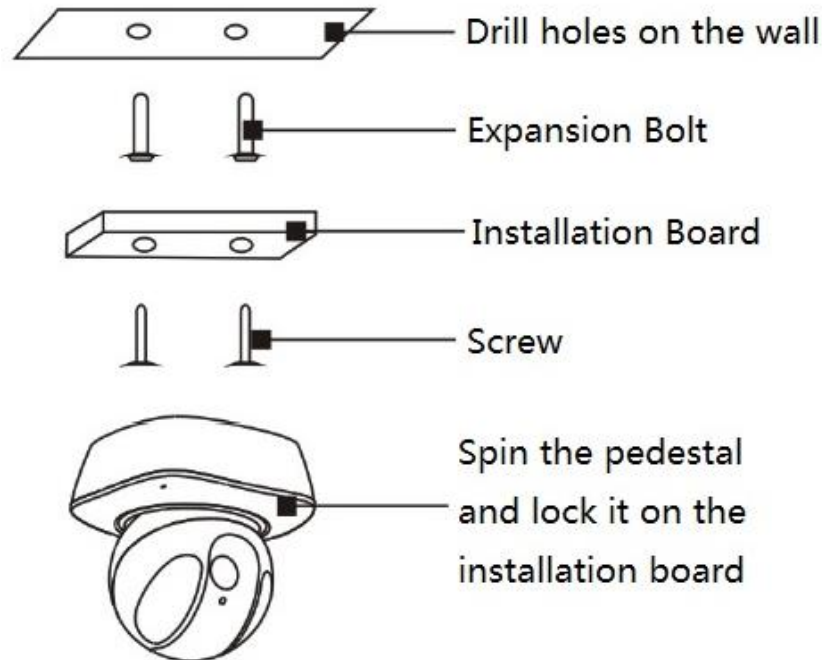


Figure 4-1

Note:

- This quick start guide is for reference only. Slight difference may be found in user interface.
- All the designs and software here are subject to change without prior written notice.
- All trademarks and registered trademarks mentioned are the properties of their respective owners.
- If there is any uncertainty or controversy, please refer to the final explanation of us.
- Please visit our website or contact your local service engineer for more information.



Dahua Vision Technology Co., Ltd

Address: No.1199 Bin'an Road, Binjiang District, Hangzhou, PRC.

Postcode: 310053

Tel: +86-571-87688883

Fax: +86-571-87688815

Email: overseas@dahuatech.com

Website: www.dahuasecurity.com