

1 Megapixel HDCVI Dome Camera User's Manual

Version 1.0.0

Table of Contents

1	General Introduction	1
1.1	Overview	1
1.2	Features	1
1.3	Functions	1
1.4	Specifications	2
2	Framework and Dimensions	3
3	Installation	5
	Appendix Toxic or Hazardous Materials or Elements	7

Welcome

Thank you for purchasing our HDCVI camera!

This user's manual is designed to be a reference tool for your system.

Please read the following safeguard and warnings carefully before you use this series product!

Please keep this user's manual well for future reference!

Important Safeguards and Warnings

1 . Electrical safety

All installation and operation here should conform to your local electrical safety codes.

The power shall conform to the requirement in the SELV (Safety Extra Low Voltage) and the Limited power source is rated 12V DC (24V AC) in the IEC60950-1.

We assume no liability or responsibility for all the fires or electrical shock caused by improper handling or installation.

2 . Transportation security

Heavy stress, violent vibration or water splash are not allowed during transportation, storage and installation.

3 . Installation

Do not apply power to the camera before completing installation.

Please install the proper power cut-off device during the installation connection.

Always follow the instruction guide the manufacturer recommended.

If this product is installed in the ceiling, please make sure the installation position can sustain the min 50N.

4 . Qualified engineers needed

All the examination and repair work should be done by the qualified service engineers.

We are not liable for any problems caused by unauthorized modifications or attempted repair.

5 . Environment

This series camera should be installed in a cool, dry place away from direct sunlight or strong light, inflammable, explosive substances and etc.

This series camera shall work on the specified working temperature. Please keep it away from the electromagnetic radiation object and environment.

Please keep the sound ventilation.

Do not allow the water and other liquid falling into the camera.

6. Accessories

Be sure to use all the accessories recommended by manufacturer.

Before installation, please open the package and check all the components are included.

Contact your local retailer ASAP if something is broken in your package.

7. Daily Maintenance

Please shut down the device and then unplug the power cable before you begin daily maintenance work.

Use the dry soft cloth to clean the device.

If there is too much dust, please use the water to dilute the mild detergent first and then use it to clean the device. Finally use the dry cloth to clean the device.

Please put the dustproof cap to protect the CCD (CMOS) component when you do not use the camera.

1 General Introduction

1.1 Overview

This series megapixel HD camera conforms to the HDCVI standard. It supports video signal high-speed long distance transmission without any delay. It can be controlled by the DVR conforming to the HDCVI.

1.2 Features

- High-performance CMOS image sensor, megapixel definition.
- HD video, coaxial cable to transmit the control signal.
- Support 75-3 coaxial cable transmission without any loss. Transmission distance is over 500m.
- Support 720P@25, 720P@30.
- High speed, long distance real-time transmission.
- Support ICR switch to realize surveillance both in the daytime and at night.
- Support auto exposure, auto white balance, auto electronic shutter and auto gain function.
- Restore clear and vivid video, high signal to noise ratio (SNR).
- Support DC12V power supplying.
- IP66 compliance.
- Support intelligent IR function.

1.3 Functions

HDCVI Specification

HDCVI (High Definition Composite Video Interface) is an over-coaxial –cable HD video transmission standard. The technology renders two HD video formats by progressive scanning.

ICR

The IR cut removal is to filter the IR light in the daytime and then auto switch to the general filter at night. This function allows the camera to output the high sensitivity and clear video.

Smart IR technology

The sensor controls the IR light on/off via the combination work of the hardware and software, which realizes the automatically IR light compensation according to the environment illumination.

Auto gain function

To output the standard video signal in the different illumination environments, the amplifier needs to adjust in a wide range. The system can enhance the camera sensitivity in low illumination and enhance the video signal output to get the clear and high definition video.

Auto white balance

The white balance refers to the camera to restore the white object color. It allows the camera to automatically adjust the color temperature in indoor and outdoor environment, just like our human eyes does.

Auto exposure

System can automatically set shutter speed and iris value according to the snapshot video exposure condition.

Auto electronic shutter

The system can automatically adjust the electronic shutter when the environment light changes.

1.4 Specifications

Model Parameter	1 Megapixel HDCVI IR Waterproof Dome Camera Series
	HAC-HDW1100MP/N
Video Processor	1/2.9" 1.0 Mega Pixels CMOS
Video Format	PAL/NTSC
Effective Pixel	1280 (H) * 720 (V)
Min Illumination	0.01Lux @ (F1.2,AGC ON) , 0Lux with IR
Electronic Shutter	PAL: 1/50s~1/100,000s NTSC: 1/60s~1/100,000s
Video Standard	HDCVI compliance
Video Frame Rate	1280×720@25 fps; 1280×720@30 fps
Lens Port	M12
Lens Type	2.8/3.6/6/8mm optional
Day/Night Switch	ICR mechanical auto switch
Sync Mode	INT
Video Output	1-channel HDCVI high definition video output
White Balance	Auto
Gain Control	Auto
BLC	Auto
IR Light Control Plan	Advanced non-photosensor control plan
Smart IR	Support
Max IR Distance	20m
Protection Level	IP66
Working Temperature /Humidity	-30℃~+60℃. Humidity is less than 95%(no condensation)
Power	DC 12V±10%
Power Consumption	2.5W MAX (Input: 12V == 0.21A)
Dimension(mm)	φ94.0×98.0
Weight	350g
Installation Mode	Wall mount/In-ceiling mount

2 Framework and Dimensions

Please refer to the following figures for dimension information. The unit is mm. See Figure 2-1 and Figure 2-2.

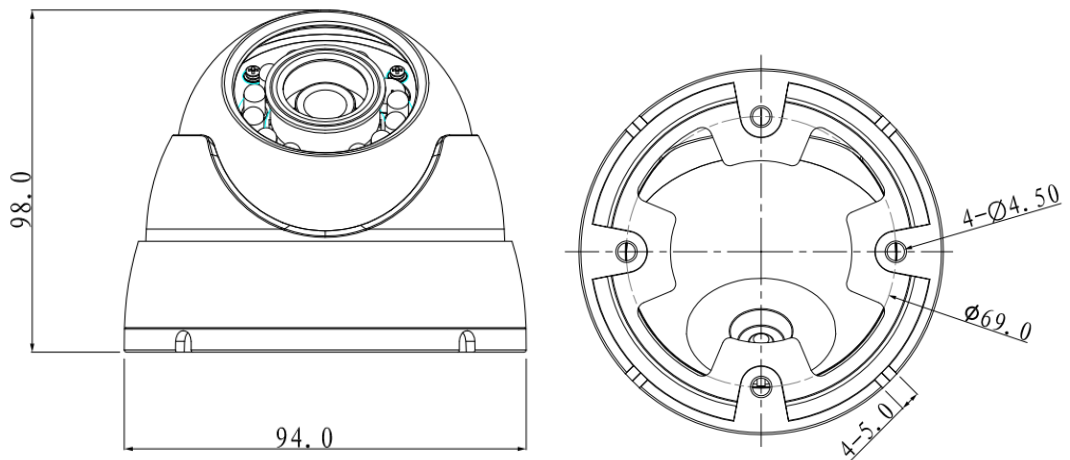


Figure 2-1

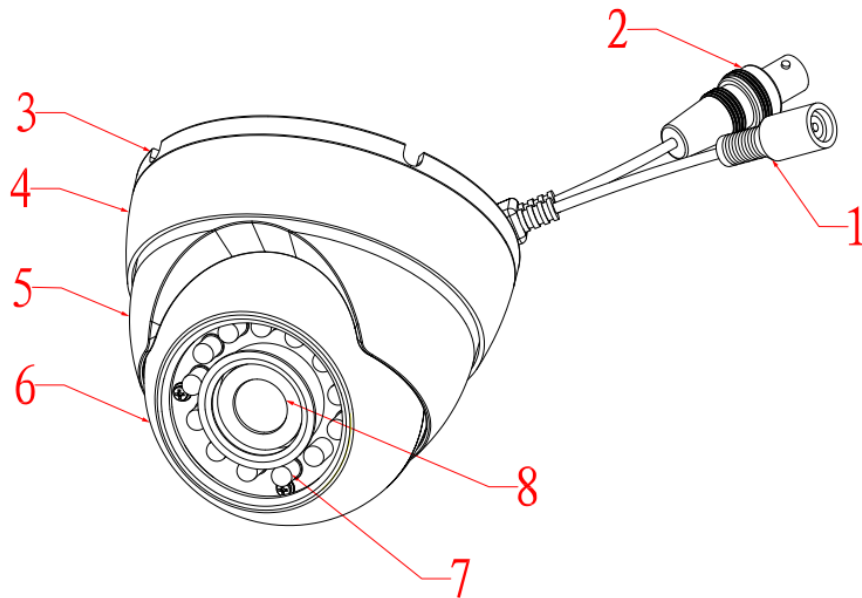


Figure 2-2

Please refer to the following sheet for detailed information.

SN	Name	Function
1	Power input port	Connect to the DC 12V power to input the power.
2	Video output port	BNC port is to output HDCVI video signal. You can connect to the devices such as the DVR or the NVS conforming to the HDCVI specifications.
3	Installation base	Device installation base
4	Rotate base	Adjust the rotate base to adjust the monitor angle.
5	Panel cover	Adjust the panel cover to adjust the monitor angle.
6	Dome Body	Adjust the dome body to adjust monitor angle.
7	IR light	It is to send out the IR compensation light to enhance the night vision.
8	Lens	It is to receive the optical signal from the environments.

3 Installation

Important

Please make sure the installation surface can support the 3X weight of the camera and the bracket.

The dome camera usually uses the ceiling installation. It can be installed on the ceiling or the wall.

Step1 Device Installation

Take the wrench from the accessories bag and use it to loosen the three set screws on the side of the camera body. See Figure 3-1.

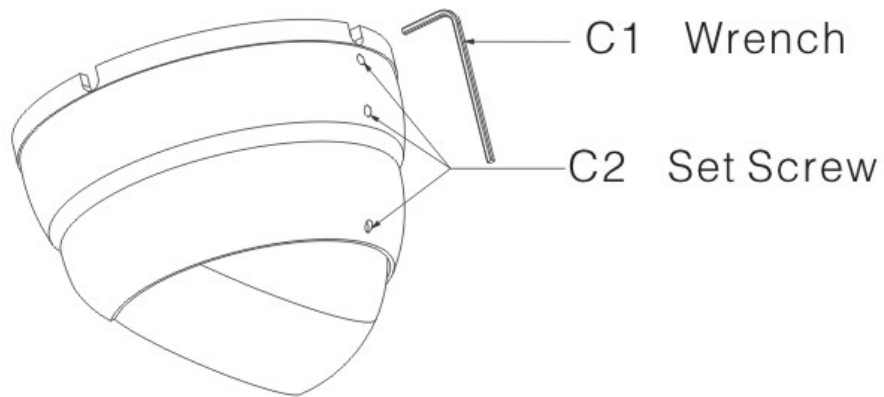


Figure 3-1

Step 2 Pedestal Installation

Turn the pedestal of the device and then pull the cable through it. Use four screws to secure the pedestal to the proper position. See Figure 3-2.

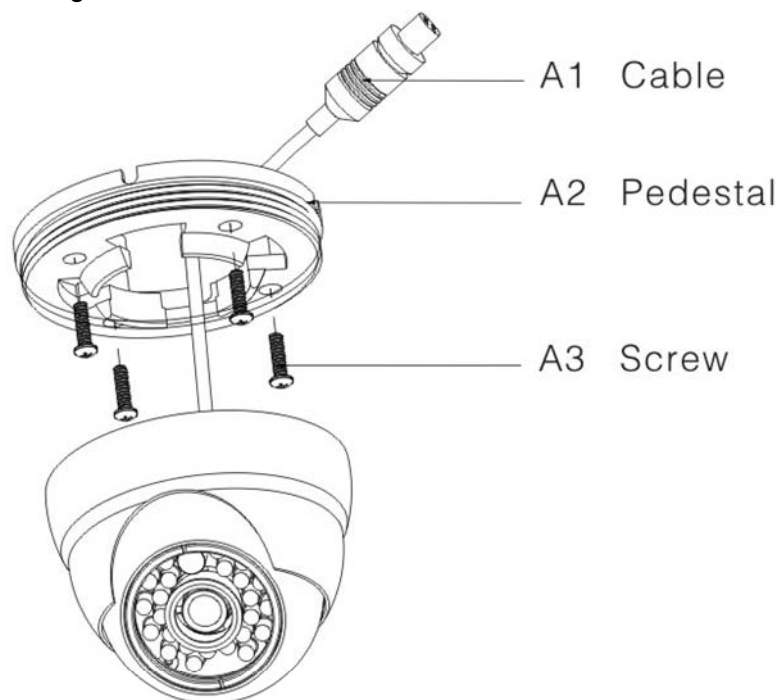


Figure 3-2

Step 3 Adjust Monitor Angle

Turn the pan base to the pedestal and secure firmly. Adjust rotate base and the dome body to get the lens to the proper monitor angle. See Figure 3-3.

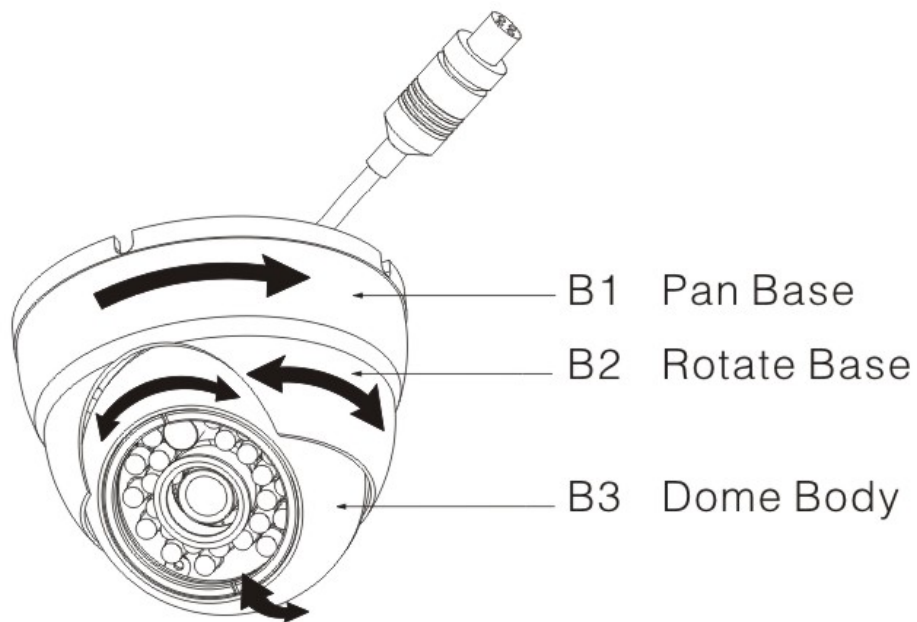


Figure 3-3

Step 4 Fix Monitor Angle

To prevent the dome from moving, use wrench to secure the three set screws to secure the monitor angle position.

Appendix Toxic or Hazardous Materials or Elements

Component Name	Toxic or Hazardous Materials or Elements					
	Pb	Hg	Cd	Cr VI	PBB	PBDE
Circuit Board Component	○	○	○	○	○	○
Device Construction Material	○	○	○	○	○	○
Wire and Cable	○	○	○	○	○	○
Packing Components	○	○	○	○	○	○
Accessories	○	○	○	○	○	○

O: Indicates that the concentration of the hazardous substance in all homogeneous materials in the parts is below the relevant threshold of the SJ/T11363-2006 standard.

X: Indicates that the concentration of the hazardous substance of at least one of all homogeneous materials in the parts is above the relevant threshold of the SJ/T11363-2006 standard. During the environmental-friendly use period (EFUP) period, the toxic or hazardous substance or elements contained in products will not leak or mutate so that the use of these (substances or elements) will not result in any severe environmental pollution, any bodily injury or damage to any assets. The consumer is not authorized to process such kind of substances or elements, please return to the corresponding local authorities to process according to your local government statutes.

Note

- **This manual is for reference only. Slight difference may be found in the user interface.**
- **All the designs and software here are subject to change without prior written notice.**
- **All trademarks and registered trademarks mentioned are the properties of their respective owners.**
- **If there is any uncertainty or controversy, please refer to the final explanation of us.**
- **Please visit our website or contact your local service engineer for more information.**